

目录

Catalogue

09-52

船用门类 Door

09

- 门和窗的开启方向定义
Definition For Opening Direction Of Doors And Windows

11

- 船用风雨密单扇钢质门
Marine Weathertight Single-leaf Steel Door

16

- 钢质快开闭风雨密(水密)门
Steel Quick Action Weathertight Door/watertight Door

17

- 钢质双扇快开闭风雨密门
Steel Double-leaf Quick Action Weathertight Door

18

- 快开闭风雨密钢质门(埋入式)
Quick Action Weathertight Steel Door (Flush Type)

19

- A0/A60 级埋入式钢质快开闭风雨密门
A0/A60 Class Flush Quick Action Weatertight Steel Door

20

- A0 快开闭风雨密钢质门(带窗)
A0 Quick Action Weathertight Steel Door (With Window)

20

- A60 级防火风雨密门
A60 Fireproof Weathertight Steel Door

21

- A60 快开闭风雨密钢质门(单、双)
A60 Quick Action Weathertight Steel Door (Single, Double)

22

- 快开闭风雨密钢质门(手轮式)
Quick Action Weathertight Steel Door (Hand Wheel Type)

23

- 钢质耐压水密门
Steel Pressure Resistant Watertight Door

23

- 阻火30min级铝质耐压水密门
"Fire-resisting Divisions 30" Aluminum Pressure Resistance Watertight Door

24

- 钢质耐高压水密门
Steel High Pressure Resistant Watertight Door

24

- A60 钢质耐压水密门
A60 Steel Pressure Resistant Watertight Door

25

- A60 级单扇钢质防火水密门(带小门)
A60 Steel Single-leaf Watertight Door (With Small Door)

26

- 轨道舱气密门(圆形)
Gastight Door For Orbit Cabin (Round)

27

- 船用风雨密单扇铝质门
Marine Weathertight Single-leaf Aluminium Door

28

- 快开闭风雨密铝质门
Quick Action Weathertight Aluminium Door

29

- A60 风雨密气密门(单扇、双扇)
A60 Weathertight And Gastight Door (Single-leaf, Double-leaf)

31

- A0 级风雨密气密防火门

A0 Weathertight And Gastight Door

31

- A60 级防火风雨密气密门

A60 Weathertight And Gastight Door

32

- (舱室A型) A60 风雨密气密门 (单扇, 双扇)

(Type A Cabin) A60 Weathertight And Gastight Door (Single-leaf, Double-leaf)

33

- 铝质/不锈钢风雨密外围壁门 (单)

Aluminium/Stainless Steel Weathertight Door For Weather Wall (Single)

35

- A60 级双扇防火门 (带消防小门)

A60 Class Double Leaves Fireproof Door (With Small Fire Fighting Door)

36

- H30b 铝质防火门

H30b Aluminium Fireproof Door

37

- A30 防火防盗门

A30 Fire Proof Anti-theft Proof Door

38

- 钢质隔音阻气门

Steel Soundproof Gas-retarding Door

39

- 铝质舱室空腹门

Aluminium Hollow Cabin Door

40

- 钢质隔声门

Steel Sound Proof Door

41

- 铝质隔声门

Aluminium Sound Proof Door

42

- A0 隔声防火门

A0 Sound & Fireproof Door

43

- H120 防火门

H120 Fireproof Door

44

- 单扇防火门

Single-leaf Fire Proof Door

45

- A 级防火门

A Class Fire-proof Door

46

- B15 级防火门

B15 Class Fire-proof Door

47

- 铰链式充气气密门

Hinged Gastight Door

47

- 气密驾驶室移门

Wheelhouse Gastight Sliding Door

48

- 整体式驾驶室移门

Integrated Wheelhouse Sliding Door

48

- 整体式驾驶室弯曲移门

Integrated Wheelhouse Curved Sliding Door

49

- 铝质驾驶室移门

Aluminium Alloy Sliding Door For Wheelhouse

49

- A60 防火移门

A60 Fire-proof Sliding Door

50

- 玻璃钢风雨密门

Grp Weathertight Door

51

- A0 电梯层门 (旁开双折)

A0 Landing Door For Elevator (Two Panels Side)

52

- A0 电梯层门 (中分)

A0 Landing Door For Elevator (Centre)

53-75

船用窗类
Window

53

- 船用舷窗
Side Scuttles For Ships

57

- 船用普通矩形窗
Marine Ordinary Rectangular Window

62

- 驾驶室固定矩形窗
Fixed Rectangular Window For Wheelhouse

63

- 驾驶室电加热玻璃温控系统 *
Temperature Control System For Heating Glasses In Wheelhouse

64

- A0 级防火舷窗
A0 Class Fireproof Side Scuttle

64

- A60 级防火舷窗
A60 Class Fireproof Side Scuttle

65

- A60 焊接式开启舷窗
A60 Class Welded Hinged Side Scuttle

66

- A0 级防火矩形窗
A0 Class Fireproof Rectangular Window

67

- A0 级防火开式矩形窗
A0 Class Fireproof Open Type Rectangular Window

68

- A60 级高隔声防火窗
A60 Fireproof High Sound-reduction Window

68

- A60 级防火矩形窗
A60 Class Fireproof Rectangular Window

69

- A60 级防火开式矩形窗
A60 Class Fire-proof Open Type Rectangular Window

70

- 带风暴盖内开侧铰链铝质矩形窗
Aluminium Inward Side-hinged Rectangular Window With Deadlight

71

- 铝质移窗
Aluminium Sliding Window

72

- 铝合金中空玻璃隔声窗
Aluminium Alloy Sound-proof Window

73

- A60 防火服务窗
A60 Fireproof Service Window

74

- A0 级防火卷帘窗
A0 Fireproof Roller Shutter Window

74

- A0 级电动防火卷帘窗
A0 Class Electrical Fireproof Roller Shutter Window

75

- 铝质、钢质、不锈钢窗斗
Aluminium, steel, stainless Steel Window Box

76-91

船用盖类
Cover

76

- 船用人孔盖
Marine Manhole Cover

78

- 钢质小型舱口盖
Small Steel Hatch Cover

84

- 转动式油舱盖
Swiveling Type Oil Hatch Cover

85

- 快速启闭水密舱口盖
Quick Action Watertight Hatch Cover

86

- 铝质水密舱口盖
Aluminium Weathertight Hatch Cover

87

- 铝质埋入式水密舱口盖

Aluminium Flush Type Weathertight Hatch Cover

88

- L15 级防火舱口盖

L15 Class Hatch Cover

88

- A60 级埋入式水密舱口盖

A60 Class Flush Type Watertight Hatch Cover

89

- A0 级防火缆绳舱口盖

A0 Class Rope Hatch Cover

89

- A0 级埋入式水密舱口盖

A0 Class Flush Type Watertight Hatch Cover

90

- A60 级防火水密舱口盖

A60 Class Watertight Hatch Cover

91

- 埋入式弹簧铰链水密舱口盖

Flush Type Watertight Hatch Cover (Spring Hinged)



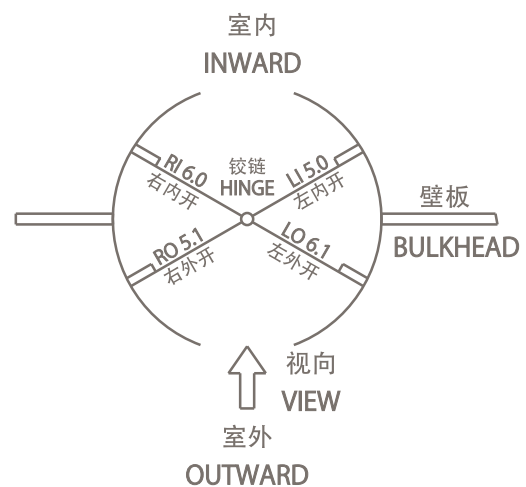
门和窗的开启方向定义 Definition for Opening Direction of Doors and Windows

- 门开启方向的定义 DEFINITION FOR DOOR OPENING DIRECTION

门的开启方向，从室外向室内看，铰链在左边的为左开门，铰链在右边的为右开门，其开启方向如下图所示，代号见下表。

LOOKING FROM OUTSIDE, THE DOOR WITH HINGE ON THE LEFT(RIGHT) SIDE IS CALLED LEFT (RIGHT) OPENING DOOR. THE OPENING DIRECTION IS INDICATED AS FIGURED. THE CODE IS INDICATED AS LISTED.

门的开启方向 OPENING DIRECTION OF DOOR	特征代号 CODE
左内开 LEFT INWARD OPENING	5.0 (LI)
左外开 LEFT OUTWARD OPENING	6.1 (LO)
右内开 RIGHT INWARD OPENING	6.0 (RI)
右外开 RIGHT OUTWARD OPENING	5.1 (RO)



- 窗开启方向的定义 DEFINITION FOR WINDOW OPENING DIRECTION

从窗页开启面看，铰链在左侧为左开式（L），铰链在右侧为右开式（R）。

VIEW FROM HINGE SIDE, HINGE ON LEFT SIDE IS CALLED LEFT TYPE, HINGE ON RIGHT SIDE IS CALLED RIGHT TYPE.

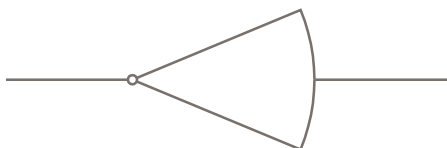




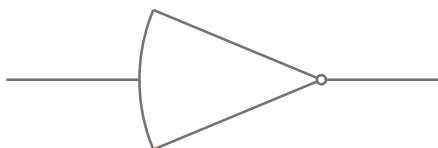
当视向正对屏蔽窗屏蔽内窗页开启面，屏蔽窗页铰链在左侧为左内开式（A1）窗，屏蔽窗页铰链在右侧为右内开式（A2）窗，见下图。

FOR INWARD OPENING ELECTROMAGNETIC SHIELDING WINDOW, LOOKING FROM THE OPENING SIDE, THE HINGE ON THE LEFT SIDE IS CALLED LEFT TYPE (A1), HINGE ON THE RIGHT SIDE IS CALLED RIGHT TYPE (A2).

屏蔽内窗页右内开式窗（A2）
ELECTROMAGNETIC SHIELDING WINDOW
RIGHT INWARD OPENING WINDOW (A2)



屏蔽内窗页左内开式窗（A1）
ELECTROMAGNETIC SHIELDING WINDOW
LEFT INWARD OPENING WINDOW (A1)



玻璃窗页左外开式窗（B1）
LEFT OUT OPENING WINDOW (B1)

玻璃窗页右外开式窗（B2）
RIGHT OUT OPENING WINDOW (B2)

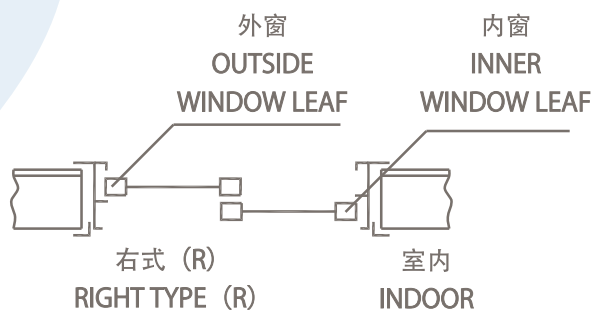
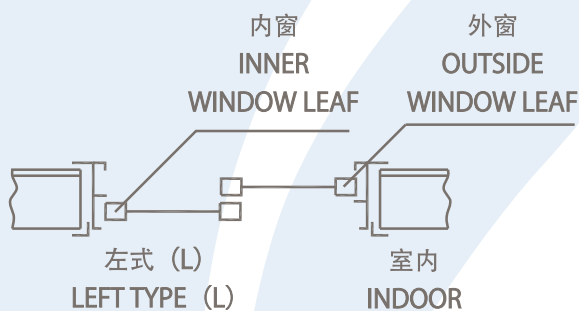
上铰链式（T），玻璃窗铰链在上方的开启窗。

THE WINDOW WITH HINGE ON THE TOP IS CALLED TOP HINGED WINDOW.

- 移窗的定义 OPENING DIRECTION DEFINITION FOR SLIDING WINDOW

观察者站在室内向外窗看，当窗在关闭状态下转为开启时，外窗向左移动的为左式（L）移窗，外窗向右移动的为右式（R）移窗。

VIEW FROM INDOOR, OUTSIDE WINDOW LEAF OPENING TOWARD LEFT IS CALLED LEFT TYPE, OUTSIDE WINDOW LEAF OPENING TOWARD RIGHT IS CALLED RIGHT TYPE.





船用风雨密单扇钢质门 Marine Weathertight Single-leaf Steel Door

GB/T 3477-2008

适用于船舶干舷甲板以上的上层建筑及甲板室出入口使用的门，满足ISO 6042-1998。

USED FOR DOORWAY OF SUPERSTRUCTURE ABOVE FREEBOARD DECK OR DECK HOUSE, MEET ISO 6042-1998.

1. 门的分级及适用部位

CLASS OF DOOR AND APPLICABLE POSITIONS

级别 CLASS	适用部位 USED FOR STATION
A	干舷甲板上的第一层上层建筑的前端壁[由艏垂线向前 (0.1~0.7) L范围] FORWARD BULKHEAD ON THE FIRST DECK ABOVE FREEBOARD [FROM AFT PERPENDICULAR TO (0.1L~0.7L)]
B	干舷甲板上的第二层上层建筑的前端壁[由艏垂线向前 (0.1~0.7) L范围和第一层上层建筑的后端壁及侧壁] FORWARD BULKHEAD ON THE SECOND DECK ABOVE FREEBOARD [FROM AFT PERPENDICULAR TO (0.1L~0.7L) AND AFT & SIDE BULKHEAD ON THE FIRST DECK]
C	干舷甲板上的第三层上层建筑的前端壁[由艏垂线向前 (0.2~0.6) L范围和第二层上层建筑的后端壁及侧壁] FORWARD BULKHEAD ON THE THIRD DECK ABOVE FREEBOARD [FROM AFT PERPENDICULAR TO (0.2L~0.6L) AND AFT & SIDE BULKHEAD ON THE SECOND DECK]
D	干舷甲板上的第四层上层建筑以上的舱壁和第三层上层建筑的后端壁及侧壁 BULKHEAD ON THE FORTH DECK AND UP ABOVE FREEBOARD, AFT & SIDE BULKHEAD ON THE THIRD DECK

2. 门的型式及规格

TYPE AND SPECIFICATION OF DOOR

型式 TYPE	名称 NAME	适用尺寸 APPLICABLE DIMENSION
AF	A级方角门 TYPE A RECTANGULAR CORNER DOOR	1200X600, 1400X600, 1400X700, 1400X750, 1400X800, 1400X900 1500X600, 1500X700, 1500X800, 1600X600, 1600X700, 1600X750 1600X800, 1600X900, 1650X650, 1650X700, 1700X600, 1700X700 1700X800
AY	A级圆角门 TYPE A ROUND CORNER DOOR	
BF	B级方角门 TYPE B RECTANGULAR CORNER DOOR	
BY	B级圆角门 TYPE B ROUND CORNER DOOR	
CF	C级方角门 TYPE C RECTANGULAR CORNER DOOR	
CY	C级圆角门 TYPE C ROUND CORNER DOOR	
DF	D级方角门 TYPE D RECTANGULAR CORNER DOOR	1200X600, 1400X600, 1400X700, 1400X750, 1400X800, 1400X900 1500X600, 1500X700, 1500X800, 1600X600, 1600X700, 1600X750 1600X800, 1600X900, 1650X650, 1650X700, 1700X600, 1700X700 1700X800, 1800X600, 1800X750, 1800X900
DY	D级圆角门 CLASS D ROUND CORNER DOOR	

注：1. 可以根据客户要求装配门钩、门碰、闭门器、C2锁，ISPS装置等。

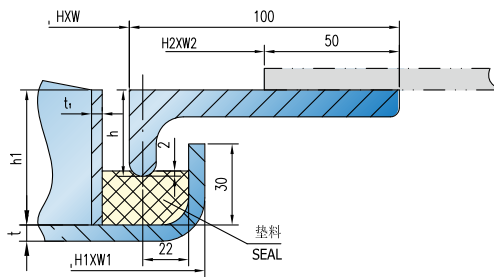
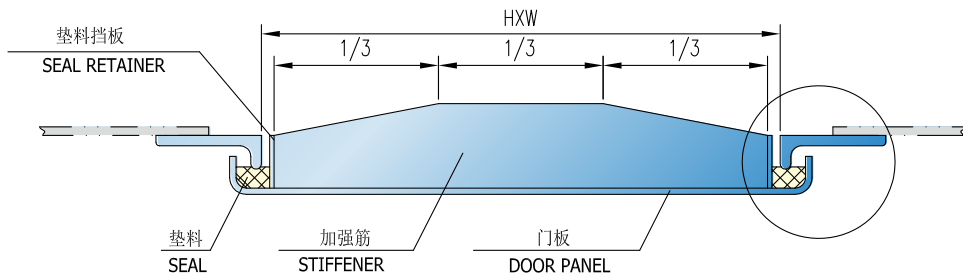
2. C级和D级门可按客户要求安装 Ø250 mm的圆窗，代号为“G”。

NOTE: 1. HOOK, BUMPER, DOOR CLOSER, C2 LOCK AND ISPS DEVICE COULD BE EQUIPPED ACC. TO CUSTOMER'S REQUIREMENTS.

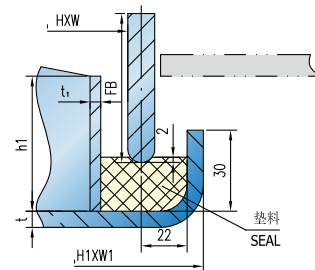
2. TYPE C & D DOORS CAN BE EQUIPPED WITH Ø250 mm PORT HOLE. THE CODE IS "G".

3. 门的节点型式
DOOR DETAILS

门板厚 THK. OF PANEL t	挡板尺寸 SIZE OF SEAL RETAINER h, X _t	门框高度 HEIGHT OF DOOR FRAME h	门框型式 DOOR FRAME TYPE	
8	50X6	32	L100X63X10 改制	FB 90X8 FB 90X10
6	32X4	34		
4		36	L100X63X8 改制	



典型节点 1
CLASSICAL MODEL 1



典型节点 2
CLASSICAL MODEL 2

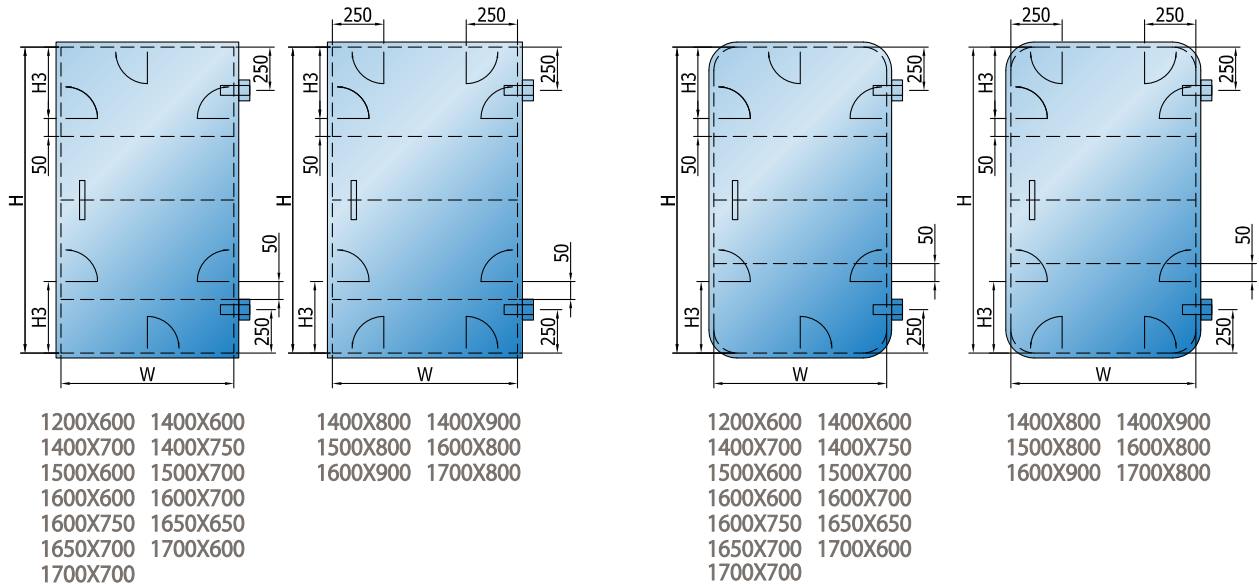


船用风雨密单扇钢质门 Marine Weathertight Single-leaf Steel Door

GB/T 3477-2008

AF、AY型钢质门

STEEL DOOR OF TYPE AF,AY



通孔尺寸 CLEAR SIZE HXW	门板尺寸 DOOR PANEL SIZE H1XW1	围壁开孔尺寸 CUT OPENING SIZE H2XW2				门板厚度 THK. OF PANEL		加强筋 STIFFENER					H3	轧扣数量 QTY. OF DOGS	重量 WEIGHT KG	
		AF		AY		≤80	>80	船长 SHIP LENGTH L, m				6			8	
		≤80	>80	80~120	120~150			150~210	210~300							
1200X600	1255X655	1300X700 R80	1300X700 R150	6	—	75X6	—	—	—	—	—	350	6	123.80	—	
1400X600	1455X655	1500X700 R80	1500X700 R150	6	8	—	65X9	65X9	75X9	75X9	75X9	380	6	152.33	176.56	
1400X700	1455X755	1500X800 R80	1500X800 R150	6	8	—	75X9	75X12	75X12	90X12	90X12	380	6	158.26	180.00	
1400X750	1455X805	1500X850 R80	1500X850 R150	6	8	—	75X9	75X12	90X9	90X12	90X12	380	6	162.24	192.33	
1400X800	1455X855	1500X900 R80	1500X900 R150	—	8	—	90X12	90X12	90X12	90X12	90X12	380	8	—	204.66	
1400X900	1455X955	1500X1000 R80	1500X1000 R150	—	8	—	90X9	90X12	100X12	100X12	100X12	380	8	—	222.47	
1500X600	1555X655	1600X700 R80	1600X700 R150	—	8	—	75X6	90X12	75X12	90X12	90X12	410	6	—	164.43	
1500X700	1555X755	1600X800 R80	1600X800 R150	—	8	—	75X12	75X9	75X12	90X12	90X12	410	6	—	188.62	
1500X800	1555X855	1600X900 R80	1600X900 R150	—	8	—	90X12	90X12	90X12	90X12	90X12	410	8	—	217.80	
1600X600	1655X655	1700X700 R80	1700X700 R150	—	8	—	65X9	75X9	75X12	75X12	75X12	410	6	—	188.14	
1600X700	1655X755	1700X800 R80	1700X800 R150	—	8	—	75X12	90X12	90X12	90X12	90X12	410	6	—	217.14	
1600X750	1655X805	1700X850 R80	1700X850 R150	—	8	—	75X12	90X9	90X12	90X12	90X12	410	6	—	216.48	
1600X800	1655X855	1700X900 R80	1700X900 R150	—	8	—	90X12	100X12	100X12	90X12	90X12	410	8	—	219.25	
1600X900	1655X955	1700X1000 R80	1700X1000 R150	—	8	—	90X12	100X12	125X9	125X9	125X9	410	8	—	242.57	
1650X650	1705X705	1750X750 R80	1750X750 R150	—	8	—	75X6	90X9	90X12	90X12	90X12	410	6	—	186.59	
1650X700	1705X755	1750X800 R80	1750X800 R150	—	8	—	75X12	90X12	90X12	90X12	90X12	410	6	—	200.59	
1700X600	1755X655	1800X700 R80	1800X700 R150	—	8	—	75X6	90X9	90X12	90X9	90X9	410	6	—	179.59	
1700X700	1755X755	1800X800 R80	1800X800 R150	—	8	—	75X12	90X12	125X9	125X9	125X9	410	6	—	205.25	
1700X800	1755X855	1800X900 R80	1800X900 R150	—	8	—	90X12	100X12	125X9	125X9	125X9	410	8	—	230.90	

注：通孔尺寸为1600X600门板厚为8mm.加强筋为（65X9mm）的A级方角风雨密单扇钢质门（右外开式）

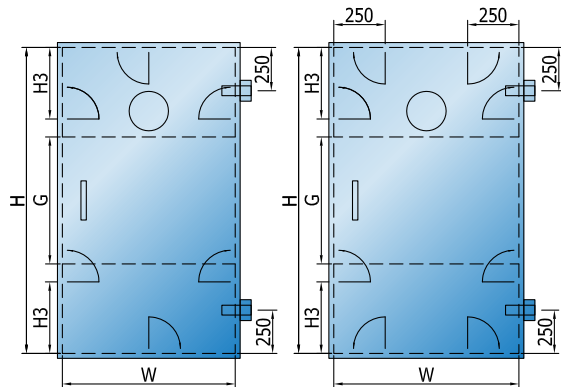
标识为：风雨密钢质门 AF1600x600-8-65X9-5.1 GB/T 3477-2008.



船用风雨密单扇钢质门 Marine Weathertight Single-leaf Steel Door

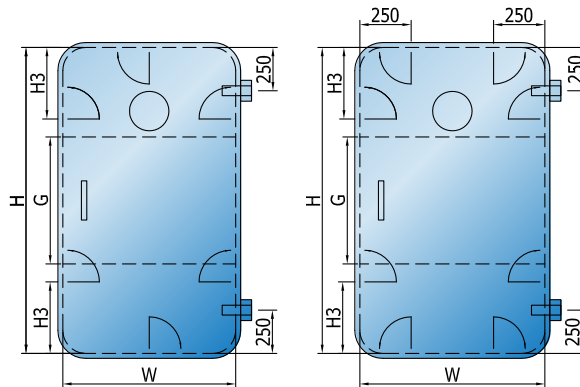
GB/T 3477-2008

BF、CF型钢质门
STEEL DOOR OF TYPE BF, CF



1 200X600	1 400X600	1 400X800	1 400X900
1 400X700	1 400X750	1 500X800	1 600X800
1 500X600	1 500X700	1 600X900	1 700X800
1 600X600	1 600X700		
1 600X750	1 650X650		
1 650X700	1 700X600		
1 700X700			

BY、CY型钢质门
STEEL DOOR OF TYPE BY, CY



1 200X600	1 400X600	1 400X800	1 400X900
1 400X700	1 400X750	1 500X800	1 600X800
1 500X600	1 500X700	1 600X900	1 700X800
1 600X600	1 600X700		
1 600X750	1 650X650		
1 650X700	1 700X600		
1 700X700			

通孔尺寸 CLEAR SIZE HXW	门板尺寸 DOOR PANEL SIZE H1XW1	围壁开孔尺寸 CUT OPENING SIZE H2XW2		门板厚度 THK. OF PANEL		加强筋 STIFFENER										轧扣 数量 QTY. OF DOGS	H3	重量 WEIGHT KG				
				B级	C级	B级					C级							G	4	6	8	
						船长 SHIP LENGTH L, m																
				≤80	>80	≤80	>80	≤80	80~150	150~210	210~300	≤80	80~140	140~300								
1200X600	1255X655	1300X700	R80	1300X700	R150	6	—	4	—	50X5	—	—	—	50X5	—	—	400	6	350	85.93	122.23	—
1400X600	1455X655	1500X700	R80	1500X700	R150	6	8	4	6	50X5	65X6	65X6	65X9	50X5	65X6	65X6	460	6	350	97.25	141.15	170.78
1400X700	1455X755	1500X800	R80	1500X800	R150	6	8	4	6	50X5	65X9	75X9	75X9	50X5	65X6	65X6	460	6	350	116.26	144.15	172.30
1400X750	1455X805	1500X850	R80	1500X850	R150	6	8	4	6	50X5	65X9	75X9	75X9	50X5	65X6	65X6	460	6	350	122.54	152.01	184.10
1400X800	1455X855	1500X900	R80	1500X900	R150	—	8	—	6	—	75X9	75X9	75X12	—	65X6	65X6	460	8	350	—	162.49	195.90
1400X900	1455X955	1500X1000	R80	1500X1000	R150	—	8	—	6	—	75X9	75X12	75X12	—	65X6	65X9	460	8	350	—	158.12	210.81
1500X600	1555X655	1600X700	R80	1600X700	R150	—	8	—	6	—	65X6	65X9	75X9	—	65X6	65X6	540	6	350	—	133.66	160.50
1500X700	1555X755	1600X800	R80	1600X800	R150	—	8	—	6	—	65X9	75X9	75X9	—	65X6	65X6	540	6	350	—	154.63	184.10
1500X800	1555X855	1600X900	R80	1600X900	R150	—	8	—	6	—	75X9	75X12	75X12	—	65X6	65X6	540	8	350	—	173.96	207.70
1600X600	1655X655	1700X700	R80	1700X700	R150	—	8	—	6	—	65X6	65X9	65X9	—	65X6	65X6	540	6	410	—	147.93	175.86
1600X700	1655X755	1700X800	R80	1700X800	R150	—	8	—	6	—	65X9	75X9	75X12	—	65X6	65X6	540	6	410	—	141.95	190.03
1600X750	1655X805	1700X850	R80	1700X850	R150	—	8	—	6	—	65X6	75X9	75X12	—	65X6	65X6	540	6	410	—	151.11	201.48
1600X800	1655X855	1700X900	R80	1700X900	R150	—	8	—	6	—	75X9	75X12	90X12	—	65X6	65X6	540	8	410	—	162.56	215.22
1600X900	1655X955	1700X1000	R80	1700X1000	R150	—	8	—	6	—	75X9	75X12	90X12	—	65X6	65X9	540	8	410	—	174.99	233.32
1650X650	1705X705	1750X750	R80	1750X750	R150	—	8	—	6	—	65X9	65X9	75X9	—	65X6	65X6	540	6	410	—	164.37	195.40
1650X700	1705X755	1750X800	R80	1750X800	R150	—	8	—	6	—	75X9	75X9	75X12	—	65X6	65X6	540	6	410	—	157.54	210.06
1700X600	1755X655	1800X700	R80	1800X700	R150	—	8	—	6	—	65X9	75X9	75X12	—	65X6	65X6	540	6	410	—	140.58	188.08
1700X700	1755X755	1800X800	R80	1800X800	R150	—	8	—	6	—	75X9	75X12	90X12	—	65X6	65X9	540	6	410	—	161.21	214.95
1700X800	1755X855	1800X900	R80	1800X900	R150	—	8	—	6	—	75X9	75X12	90X12	—	65X6	65X9	540	8	410	—	181.36	241.82

注：通孔尺寸为1600X600门板厚为8mm.加强筋为（65X9mm）的A级圆角风雨密单扇钢质门（左外开式）

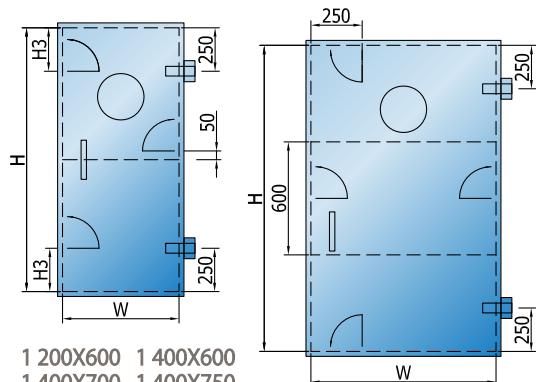
标识为：风雨密钢质门 BY1600X600-8-65X9-6.1 GB/T 3477-2008.



船用风雨密单扇钢质门 Marine Weathertight Single-leaf Steel Door

GB/T 3477-2008

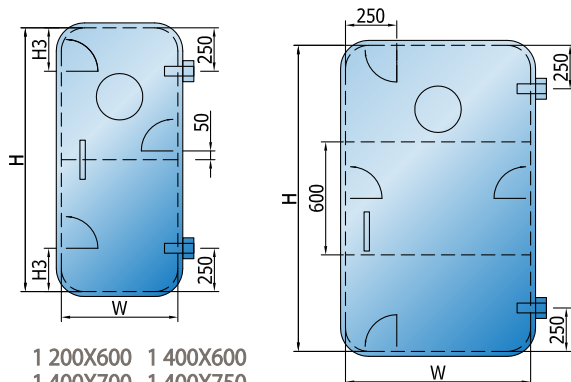
DF型钢质门
STEEL DOOR TYPE DF



1 200X600 1 400X600
1 400X700 1 400X750
1 500X600 1 500X700
1 600X600 1 600X700
1 600X750 1 650X650
1 650X700 1 700X600
1 700X700 1 800X600
1 800X750

1 400X800 1 400X900
1 500X800 1 600X800
1 600X900 1 700X800
1 800X900

DY型钢质门
STEEL DOOR TYPE DY



1 200X600 1 400X600
1 400X700 1 400X750
1 500X600 1 500X700
1 600X600 1 600X700
1 600X750 1 650X650
1 650X700 1 700X600
1 700X700 1 800X600
1 800X750

1 400X800 1 400X900
1 500X800 1 600X800
1 600X900 1 700X800
1 800X900

通孔尺寸 CLEAR SIZE HXW	门板尺寸 DOOR PANEL SIZE H1XW1	围壁开孔尺寸 CUT OPENING SIZE H2XW2		门板厚度 THK. OF DOOR PANEL	加强筋 STIFFENER 宽X厚	轧扣数量 QUANTITY OF DOGS	H3	重量 WEIGHT KG	
		DF	DY					4	6
1200X600	1255X655	1300X700 R80	1300X700 R150	4	50X5	3	180	75.01	—
1400X600	1455X655	1500X700 R80	1500X700 R150	4	50X5	3	180	97.25	—
1400X700	1455X755	1500X800 R80	1500X800 R150	4	50X5	3	180	99.20	—
1400X750	1455X805	1500X850 R80	1500X850 R150	4	50X5	3	180	102.54	—
1400X800	1455X855	1500X900 R80	1500X900 R150	4	50X5	4	—	107.80	—
1400X900	1455X955	1500X1000 R80	1500X1000 R150	4	50X5	4	—	134.81	—
1500X600	1555X655	1600X700 R80	1600X700 R150	6	65X6	3	180	—	131.63
1500X700	1555X755	1600X800 R80	1600X800 R150	6	65X6	3	180	—	133.20
1500X800	1555X855	1600X900 R80	1600X900 R150	6	65X6	3	180	—	135.45
1600X600	1655X655	1700X700 R80	1700X700 R150	6	65X6	3	180	—	139.37
1600X700	1655X755	1700X800 R80	1700X800 R150	6	65X6	3	180	—	147.33
1600X750	1655X805	1700X850 R80	1700X850 R150	6	65X6	3	180	—	156.83
1600X800	1655X855	1700X900 R80	1700X900 R150	6	65X6	4	—	—	162.54
1600X900	1655X955	1700X1000 R80	1700X1000 R150	6	65X6	4	—	—	178.57
1650X650	1705X705	1750X750 R80	1750X750 R150	6	65X6	3	180	—	137.36
1650X700	1705X755	1750X800 R80	1750X800 R150	6	65X6	3	180	—	148.80
1700X600	1755X655	1800X700 R80	1800X700 R150	6	65X6	3	180	—	132.78
1700X700	1755X755	1800X800 R80	1800X800 R150	6	65X6	3	180	—	151.10
1700X800	1755X855	1800X900 R80	1800X900 R150	6	65X6	4	—	—	169.41
1800X600	1855X655	1900X700 R80	1900X700 R150	6	65X6	3	180	—	136.91
1800X750	1855X805	1900X850 R80	1900X850 R150	6	65X6	3	180	—	156.83
1800X900	1855X955	1900X1000 R80	1900X1000 R150	6	65X6	4	—	—	178.57

注：通孔尺寸为1400X750门板厚为4mm.加强筋为(50X5)mm的D级方角风雨密单扇钢质门(右外开式)

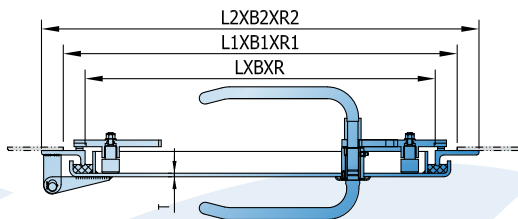
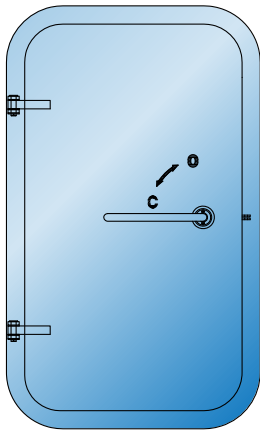
标识为：风雨密钢质门 DF1400X750-4-50X5-5.1 GB/T 3477-2008.

○ 钢质快开闭风雨密(水密)门 Steel Quick Action Weathertight Door/Watertight Door

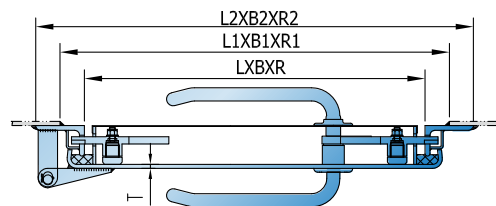
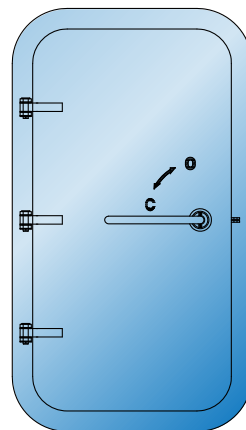
这两种门既可用作风雨密门也可用作水密门，如用作水密门时，水压不能超过0.07MPa。

THESE TWO TYPE DOORS COULD BE USED AS BOTH WEATHERTIGHT AND WATERTIGHT DOOR, WHILE USED AS WATERTIGHT DOOR, THE PRESSURE NO MORE THAN 0.07MPa.

262WHL003A-00



262WHL003M-00



mm

通孔尺寸 CLEAR SIZE LXBXR	围壁开孔尺寸 CUT OPENING SIZE L1XB1XR1	外形尺寸 OVERALL DIMENSIONS L2XB2XR2	门板厚度 THK. OF PANEL T		选择项 OPTION
1400X600XR100	1500X700XR150	1600X800XR200	6	8	防碰柱 BUMPER
1600X600XR100	1700X700XR150	1800X800XR200	6	8	闭门器 DOOR CLOSER
1700X750XR100	1800X850XR150	1900X950XR200	6	8	C2锁 C2 LOCK
1800X900XR100	1900X1000XR150	2000X1100XR200	6	8	ISPS防盗 ISPS DEVICE
					行程开关 LIMIT SWITCH
					观察窗 PORT HOLE

注：通孔尺寸为1600X600门板厚为8mm，钢质快开闭风雨密（水密）门（左外开式），262WHL003A-00，参考重量为160kg。

The reference weight for 1600X600-8-6.1 262WHL003A-00 is 160kg.

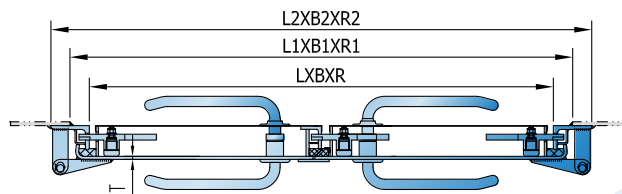
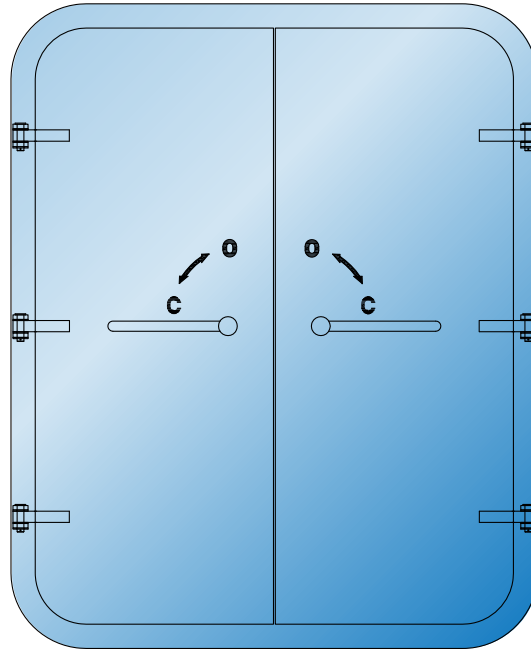
通孔尺寸为1600x600门板厚为8mm，钢质快开闭风雨密（水密）门（左外开式），262WHL003M-00，参考重量为185kg。

The reference weight for 1600X600-8-6.1 262WHL003M-00 is 185kg.



钢质双扇快开闭风雨密门 Steel Double-leaf Quick Action Weathertight Door

262WHL003MS-00



mm

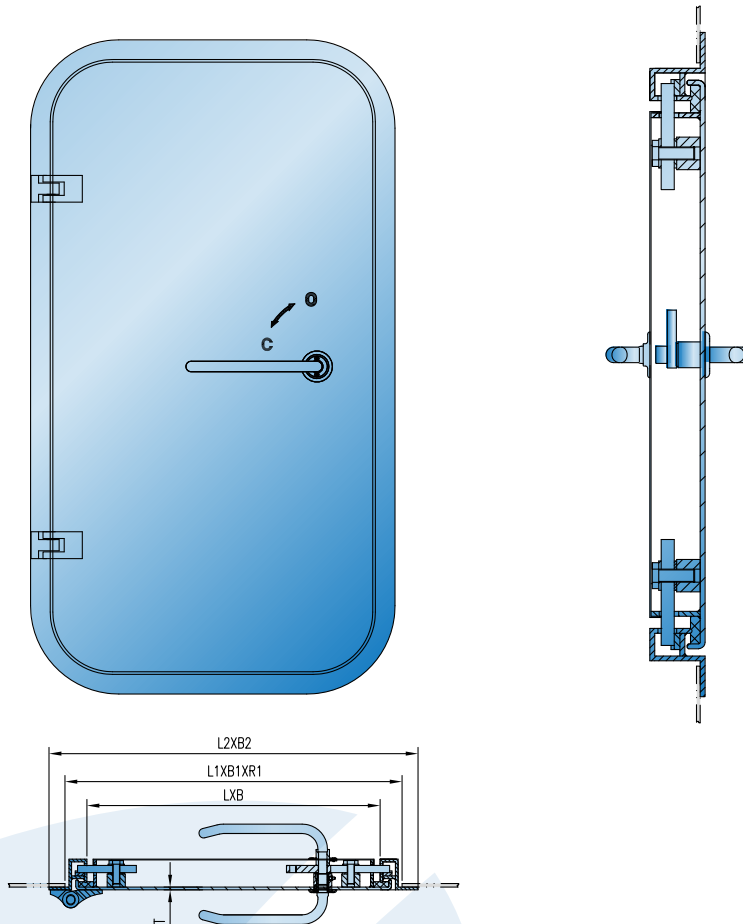
通孔尺寸 CLEAR SIZE LXBXR	围壁开孔尺寸 CUT OPENING SIZE L1XB1XR1	外形尺寸 OVERALL DIMENSIONS L2XB2XR2	门板厚度 THK. OF PANEL T		选择项 OPTION
1600X1000XR100	1700X1100XR150	1800X1200XR200	6	8	防碰柱 BUMPER 闭门器 DOOR CLOSER C2锁 C2 LOCK ISPS防盗 ISPS DEVICE 行程开关 LIMIT SWITCH 观察窗 PORT HOLE
1600X1200XR100	1700X1300XR150	1800X1400XR200	6	8	
1700X1000XR100	1800X1100XR150	1900X1200XR200	6	8	
1700X1200XR100	1800X1300XR150	1900X1400XR200	6	8	
1800X1200XR100	1900X1300XR150	2000X1400XR200	6	8	

注：通孔尺寸为1600X1000门板厚为8mm，钢质双扇快开闭风雨密门，参考重量为285kg。

The reference weight for 1600X1000-8-5.1 & 6.1 262WHL003MS-00 is 285kg.

快开闭风雨密钢质门（埋入式）
Quick Action Weathertight Steel Door (Flush Type)

262WHL002-00



mm

通孔尺寸 CLEAR SIZE LXBXR	围壁开孔尺寸 CUT OPENING SIZE L1XB1XR1	外形尺寸 OVERALL DIMENSIONS L2XB2XR2	门板厚度 THK. OF PANEL T		选择项 OPTION
1650X600XR100	1770X720XR160	1836X786XR193	6	8	防撞柱 BUMPER 闭门器 DOOR CLOSER
1650X650XR100	1770X770XR160	1836X836XR193	6	8	C2锁 C2 LOCK
1650X700XR100	1770X820XR160	1836X886XR193	6	8	ISPS防盗 ISPS DEVICE 行程开关 LIMIT SWITCH
1750X700XR100	1870X820XR160	1936X886XR193	6	8	观察窗 PORT HOLE

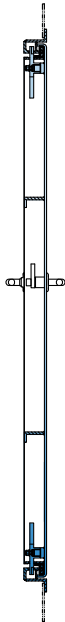
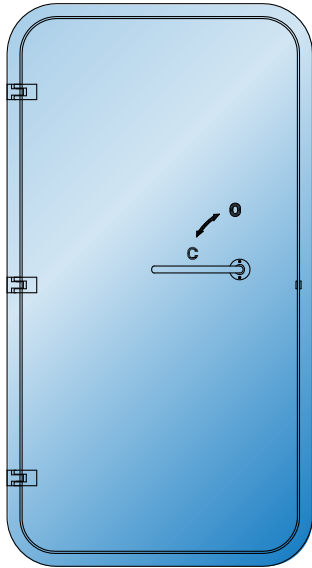
注：通孔尺寸为1600X600门板厚为8mm，快开闭风雨密钢质门（埋入式）（左外开式），参考重量为195kg。

The reference weight for 1650X600-8-6.1 262WHL002-00 is 195kg.

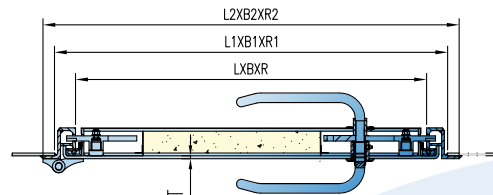
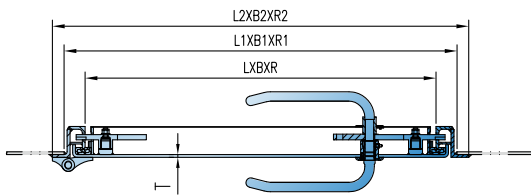
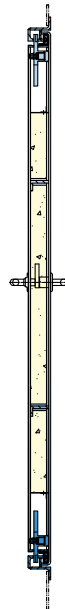
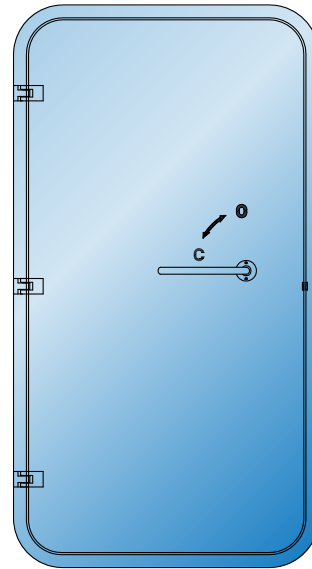


○ A0/A60 级埋入式钢质快开闭风雨密门 A0/A60 Class Flush Quick Action Watertight Steel Door

262WHL040-00-A



262WHL003FM-00-A



mm

通孔尺寸 CLEAR SIZE LXBXR	围壁开孔尺寸 CUT OPENING SIZE L1XB1XR1	外形尺寸 OVERALL DIMENSIONS L2XB2XR2	门板厚度 THK. OF PANEL T		选择项 OPTION
1650X600XR100	1770X720XR160	1836X786XR193	6	8	防碰柱 BUMPER 闭门器 DOOR CLOSER
1650X650XR100	1770X770XR160	1836X836XR193	6	8	C2锁 C2 LOCK
1650X700XR100	1770X820XR160	1836X886XR193	6	8	ISPS防盗 ISPS DEVICE 行程开关 LIMIT SWITCH
1750X700XR100	1870X820XR160	1936X886XR193	6	8	观察窗 PORT HOLE

注：通孔尺寸为1650X600门板厚为8mm，A0级埋入式钢质快开闭风雨密门（左外开式），参考重量为198kg。

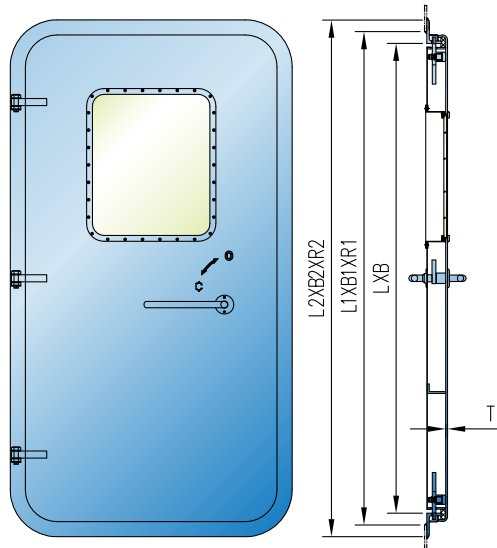
The reference weight for 650X1650-8-6.1 262WHL040-00-A is 198kg.

通孔尺寸为1650X600门板厚为8mm，A60级埋入式钢质快开闭风雨密门（左外开式），参考重量为218kg。

The reference weight for 650X1650-8-6.1 262WHL003FM-00-A is 198kg.

A0 快开闭风雨密钢质门 (带窗)
A0 Quick Action Weathertight Steel Door (With Window)

262WHL040-00



选择项 OPTION	防撞柱 BUMPER
	闭门器 DOOR CLOSER
	C2锁 C2 LOCK
	ISPS防盗 ISPS DEVICE
	行程开关 LIMIT SWITCH
	观察窗 PORT HOLE

mm

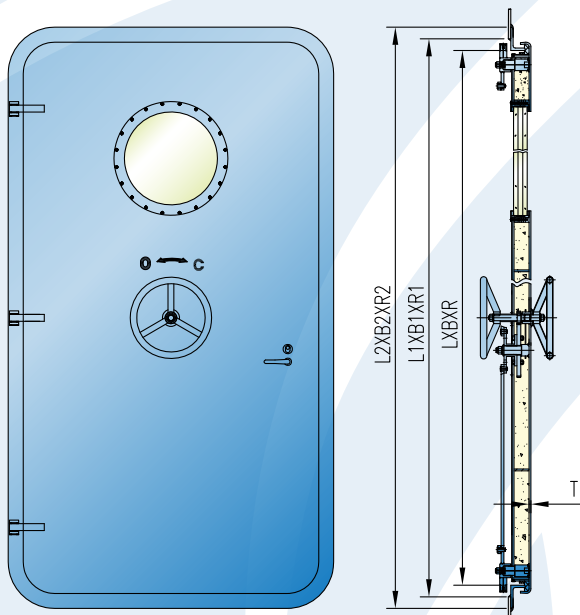
通孔尺寸 CLEAR SIZE LXBXR	围壁开孔尺寸 CUT OPENING SIZE L1XB1XR1	外形尺寸 OVERALL DIMENSIONS L2XB2XR2	门板厚度 THK. OF PANEL T
1600X600XR100	1700X700XR150	1800X800XR200	8
1700X700XR100	1800X800XR150	1900X900XR200	8
1800X800XR100	1900X900XR150	2000X1000XR200	8
2300X1200XR100	2400X1300XR150	2500X1400XR200	8

注：通孔尺寸为1700X700门板厚度为8mm的A0快开闭风雨密钢质门(带窗) (左外开式),参考重量为215kg。

The reference weight for 1700X700-8-6.1 262WHL040-00 is 215kg.

A60 级防火风雨密门
A60 Fireproof Weathertight Steel Door

262WHL041-00



选择项 OPTION	防撞柱 BUMPER
	闭门器 DOOR CLOSER
	C2锁 C2 LOCK
	ISPS防盗 ISPS DEVICE
	行程开关 LIMIT SWITCH
	观察窗 PORT HOLE

mm

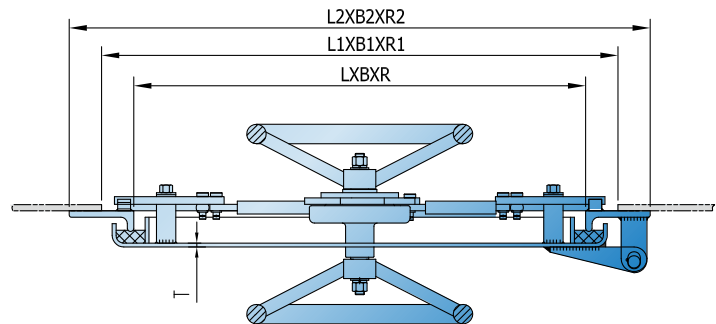
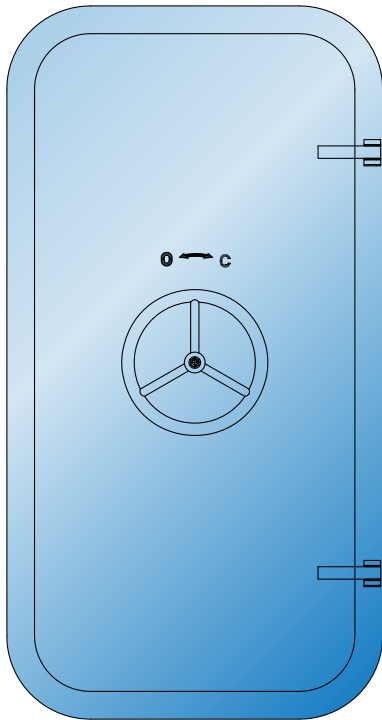
通孔尺寸 CLEAR SIZE LXBXR	围壁开孔尺寸 CUT OPENING SIZE L1XB1XR1	外形尺寸 OVERALL DIMENSIONS L2XB2XR2	门板厚度 THK. OF PANEL T
1600X600XR100	1700X700XR150	1800X800XR200	8
1700X700XR100	1750X800XR150	1900X900XR200	8
1800X800XR100	1900X900XR150	2000X1000XR200	8
2300X1200XR100	2400X1300XR150	2500X1400XR200	8

注：通孔尺寸为1650X700门板厚度为8mm的A60防火风雨密门(带窗) (左外开式),参考重量为220kg。

The reference weight for 1650X700-8-6.1 262WHL041-00 is 220kg.

快开闭风雨密钢质门（手轮式）
Quick Action Weathertight Steel Door (Handwheel Type)

262WHL097-00



通孔尺寸 CLEAR SIZE LXBXR	围壁开孔尺寸 CUT OPENING SIZE L1XB1XR1	外形尺寸 OVERALL DIMENSIONS L2XB2XR2	门板厚度 THK. OF PANEL T		选择项 OPTION
1500X600XR100	1600X700XR150	1700X800XR200	6	8	防碰柱 BUMPER 闭门器 DOOR CLOSER C2锁 C2 LOCK ISPS防盗 ISPS DEVICE 行程开关 LIMIT SWITCH 观察窗 PORT HOLE
1600X600XR100	1700X700XR150	1800X800XR200	6	8	
1600X700XR100	1700X800XR150	1800X900XR200	6	8	
1700X700XR100	1800X800XR150	1900X900XR200	6	8	
1700X800XR100	1800X900XR150	1900X1000XR200	8		

注：通孔尺寸为1600X600门板厚为8mm，快开闭风雨密钢质门（手轮式）（右外开式），参考重量为176kg。

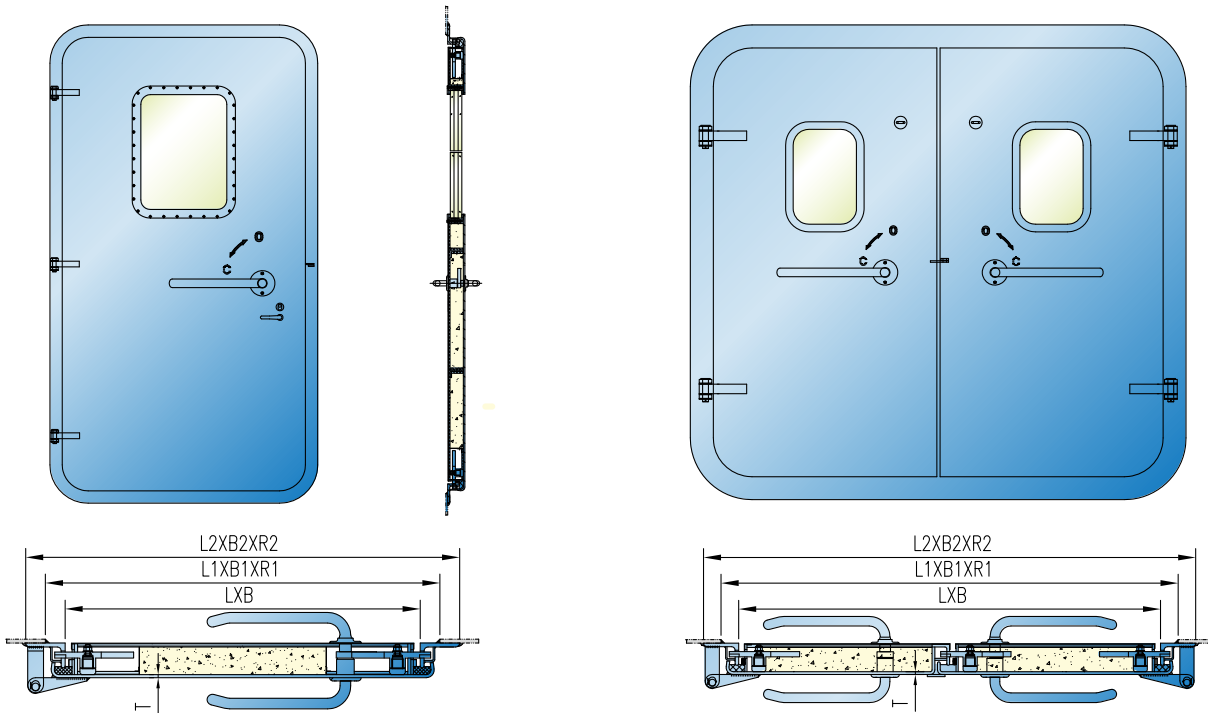
The reference weight for 1600X600-8-5.1 262WHL097-00 is 176kg.



○ A60 快开闭风雨密钢质门 (单、双) A60 Quick Action Weathertight Steel Door (Single, Double)

A60 快开闭风雨密钢质门 (单) 262WHL047-00
A60 QUICK ACTION WEATHERTIGHT STEEL DOOR
(SINGLE)

A60 快开闭风雨密钢质门 (双) 262WHL601-00
A60 QUICK ACTION WEATHERTIGHT STEEL DOOR
(DOUBLE)



mm

类型 TYPE	通孔尺寸 CLEAR SIZE LXB	围壁开孔尺寸 CUT OPENING SIZE L1XB1XR1	门框尺寸 OVERALL DIMENSIONS L2XB2XR2	门板厚度 THK. OF PANEL T	选择项 OPTION
单扇 SINGLE LEAF 262WHL047-00	1650X600XR100	1750X700XR150	1850X800XR200	8	防碰柱 BUMPER 闭门器 DOOR CLOSER C2锁 C2 LOCK ISPS防盗 ISPS DEVICE 行程开关 LIMIT SWITCH 观察窗 PORT HOLE
	1650X700XR100	1750X800XR150	1850X900XR200	8	
	1800X800XR100	1900X900XR150	2000X1000XR200	8	
	2200X1200XR100	2300X1300XR150	2400X1400XR200	8	
双扇 DOUBLE-LEAF 262WHL601-00	1600X900XR100	1700X1000XR150	1800X1100XR200	8	
	1650X1000XR100	1750X1100XR150	1850X1200XR200	8	
	1650X1200XR100	1750X1300XR150	1850X1400XR200	8	
	2500X2400XR100	2600X2500XR150	2700X2600XR200	8	

注：通孔尺寸为1650X600门板厚度为8mm的单扇A60快开闭风雨密钢质门 (单) (左外开式)，参考重量为215kg。

The reference weight for 1650X600-8-6.1 262WHL047-00 is 215kg.

通孔尺寸为1650X1000门板厚度为8mm的双扇A60快开闭风雨密钢质门 (双)，参考重量为340kg。

The reference weight for 1650X1000-8-5.1 & 6.1 262WHL601-00 is 340kg.

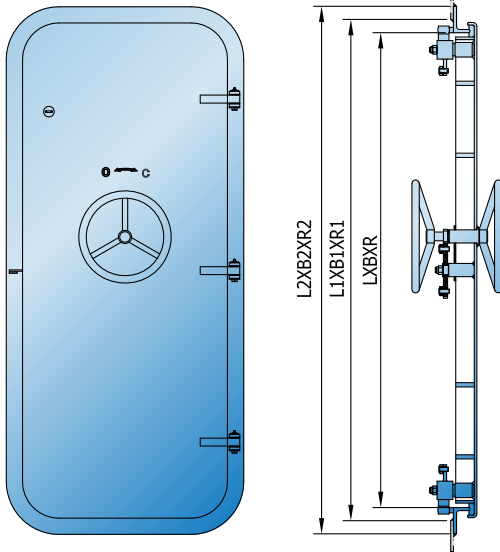


○ 钢质耐压水密门 Steel Pressure Resistant Watertight Door

262WHL095-00

本门适用压力为不大于 0.15MPa。

THE APPLICABLE WATER PRESSURE FOR THE DOOR IS
NO MORE THAN 0.15 MPa.



选择项 OPTION	防碰柱 BUMPER 闭门器 DOOR CLOSER 挂锁 PAD LOCK ISPS防盗 ISPS DEVICE 行程开关 LIMIT SWITCH
---------------	---

通孔尺寸 CLEAR SIZE LXBXR	围壁开孔尺寸 CUT OPENING SIZE L1XB1XR1	外形尺寸 OVERALL DIMENSIONS L2XB2XR2	门板厚度 THK. OF PANEL T
1500X600XR100	1600X700XR150	1700X800XR200	根据压力 SUBJECT TO ACTUAL PRESSURE
1600X600XR100	1700X700XR150	1800X800XR200	
1600X700XR100	1700X800XR150	1800X900XR200	
1700X700XR100	1800X800XR150	1900X900XR200	
1800X800XR100	1900X900XR150	2000X1000XR200	

注：通孔尺寸为1600X600，门板厚度为8mm的钢质耐压水密门（右外开式），参考重量为253kg。

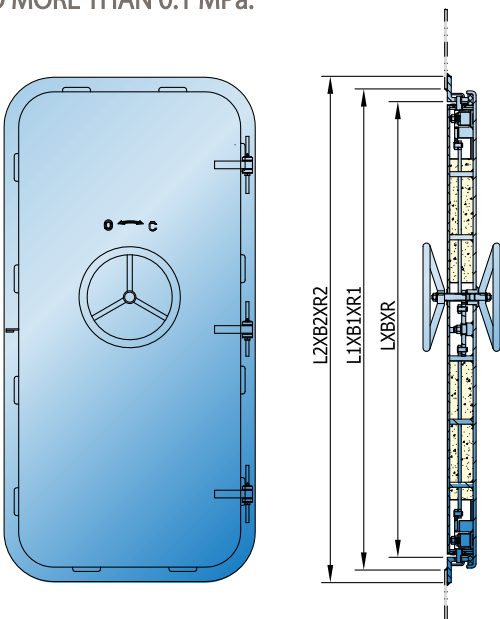
The referable weight for 1600X600-8-5.1 262WHL095-00 is 253kg.

○ 阻火30min级铝质耐压水密门 "Fire-resisting Divisions 30" Aluminum Pressure Resistance Watertight Door

262WHL004AL-00

本门适用压力为不大于 0.1MPa。

THE APPLICABLE WATER PRESSURE FOR THE DOOR IS
NO MORE THAN 0.1 MPa.



选择项 OPTION	防碰柱 BUMPER 闭门器 DOOR CLOSER 挂锁 PAD LOCK ISPS防盗 ISPS DEVICE 行程开关 LIMIT SWITCH
---------------	---

通孔尺寸 CLEAR SIZE LXBXR	围壁开孔尺寸 CUT OPENING SIZE L1XB1XR1	外形尺寸 OVERALL DIMENSIONS L2XB2XR2	门板厚度 THK. OF PANEL T
1500X600XR100	1600X700XR150	1700X800XR200	12
1600X600XR100	1700X700XR150	1800X800XR200	
1600X700XR100	1700X800XR150	1800X900XR200	
1700X700XR100	1800X800XR150	1900X900XR200	
1800X800XR100	1900X900XR150	2000X1000XR200	

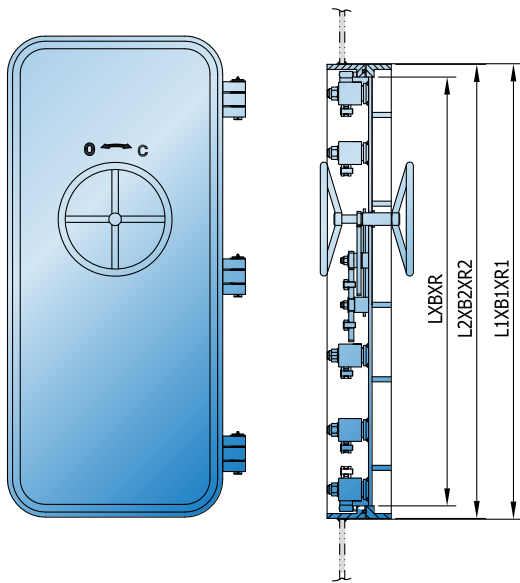
注：通孔尺寸为1600X600，门板厚度为12mm的阻火30min级铝质耐压水密门（右外开式），参考重量为200kg。

The referable weight for 1600X600-12-5.1 262WHL004AL-00 is 200kg.

○ 钢质耐高压水密门 Steel High Pressure Resistant Watertight Door

262WHL095C-00

本门适用压力为 0.2 ~ 0.5MPa。
THE APPLICABLE WATER PRESSURE FOR THE DOOR IS
NO MORE THAN 0.2 ~ 0.5 MPa.



选择项 OPTION	防碰柱 BUMPER 闭门器 DOOR CLOSER 挂锁 PAD LOCK ISPS防盗 ISPS DEVICE 行程开关 LIMIT SWITCH
---------------	---

通孔尺寸 CLEAR SIZE LXBXR	围壁开孔尺寸 CUT OPENING SIZE L1XB1XR1	外形尺寸 OVERALL DIMENSIONS L2XB2XR2	门板厚度 THK. OF PANEL T
1600X600XR100	1705X705XR152.5	1700X700XR150	根据压力 SUBJECT TO ACTUAL PRESSURE
1700X700XR100	1805X805XR152.5	1800X800XR150	
1800X800XR100	1905X905XR152.5	1900X900XR150	
1900X900XR100	2005X1005XR152.5	2000X1000XR150	
2300X1200XR100	2405X1305XR152.5	2400X1300XR150	

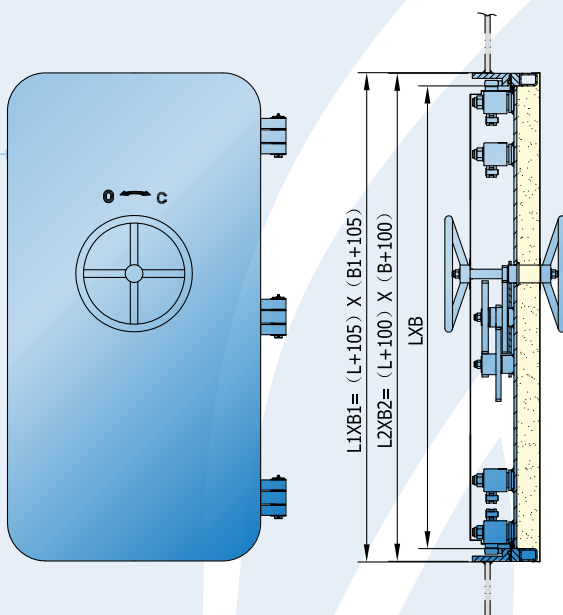
注：通孔尺寸为1600X600，门板厚度为8mm的钢质耐高压水密门
(右外开式)，参考重量为435kg。

The referable weight for 1600X600-8-5.1
262WHL095C-00 is 435kg.

○ A60 钢质耐压水密门 A60 Steel Pressure Resistant Watertight Door

262WHL095F-00

本门适用压力为 0.2 ~ 0.5MPa。
THE APPLICABLE WATER PRESSURE FOR THE DOOR IS
NO MORE THAN 0.2 ~ 0.5 MPa.



选择项 OPTION	防碰柱 BUMPER 闭门器 DOOR CLOSER 挂锁 PAD LOCK ISPS防盗 ISPS DEVICE 行程开关 LIMIT SWITCH
---------------	---

通孔尺寸 CLEAR SIZE LXBXR	围壁开孔尺寸 CUT OPENING SIZE L1XB1XR1	外形尺寸 OVERALL DIMENSIONS L2XB2XR2	门板厚度 THK. OF PANEL T
1600X600XR100	1705X705XR152.5	1700X700XR150	根据压力 SUBJECT TO ACTUAL PRESSURE
1700X700XR100	1805X805XR152.5	1800X800XR150	
1800X800XR100	1905X905XR152.5	1900X900XR150	
1900X900XR100	2005X1005XR152.5	2000X1000XR150	
2300X1200XR100	2405X1305XR152.5	2400X1300XR150	

注：通孔尺寸为1600X600，门板厚度为8mm的A60钢质耐压水密
门，参考重量为452kg。

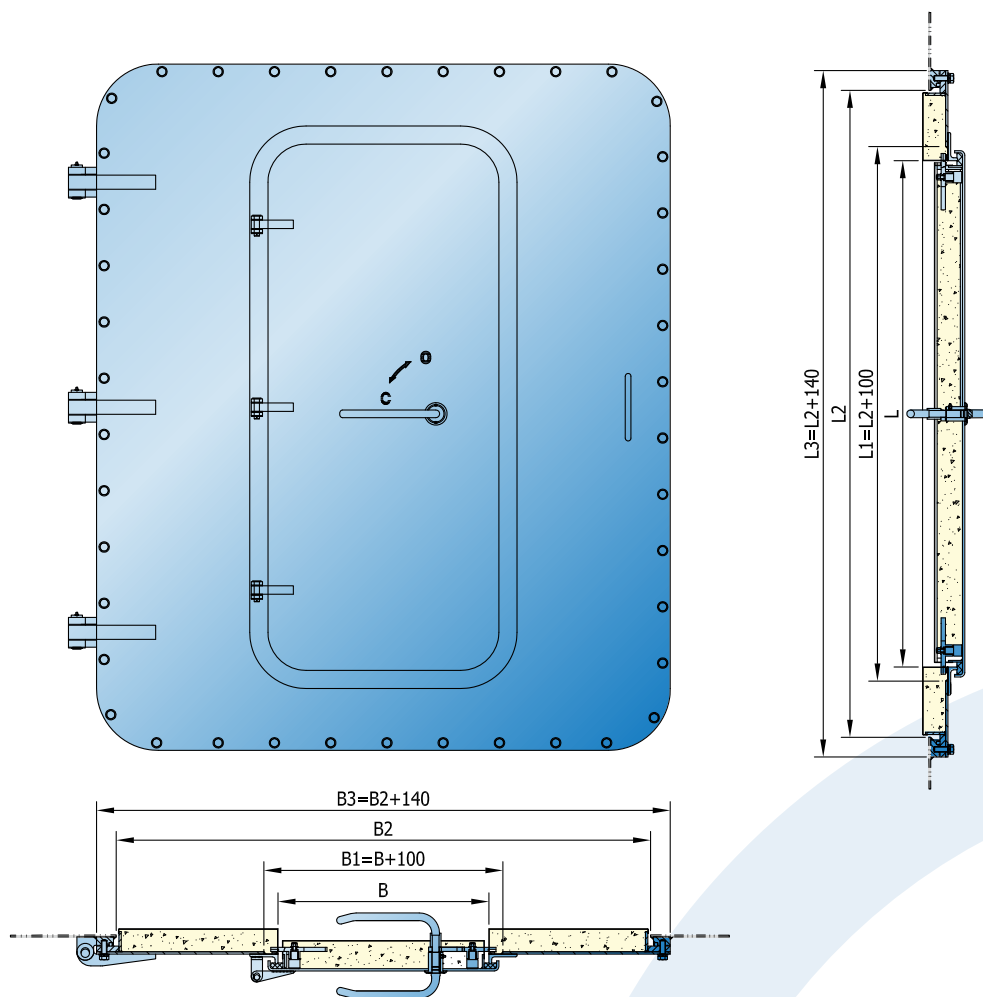
The reference weight for 1600X600-8-5.1 262WHL095F-00
is 452kg



○ A60 级单扇钢质防火水密门(带小门) A60 Steel Single-leaf Watertight Door (with Small Door)

本门主要用于海工平台、化学品船等船舶及海上建筑物的防火等级为A60级，需要吊装大型设备的通道及场所，平时可通过小门通行，吊运设备时可打开大门。

THE DOOR IS MAINLY USED AT SUCH PASSAGE WAYS AND PLACES, WHERE LARGE SCALE EQUIPMENT IS LIFTED AND MOVED. NORMALLY THE SMALL DOOR IS USED AS ACCESS DOOR AND THE BIG DOOR COULD BE OPENED FOR LIFTING LARGE SCALE EQUIPMENT.



LXB 为小门通孔尺寸，最大尺寸为2000X1100 mm

THE MAX. DIMENSION FOR SMALL DOOR LXB=2000X1100

L1XB1 为小门开孔尺寸

L1,B1:CUT OPENING SIZE OF SMALL DOOR

L2XB2 为大门通孔尺寸，最大尺寸为2300X2100mm

THE MAX. DIMENSION FOR BIG DOOR L2XB2=2300X2100

L3XB3 为大门外形尺寸

L3,B3:OVERALL DIMENSIONS

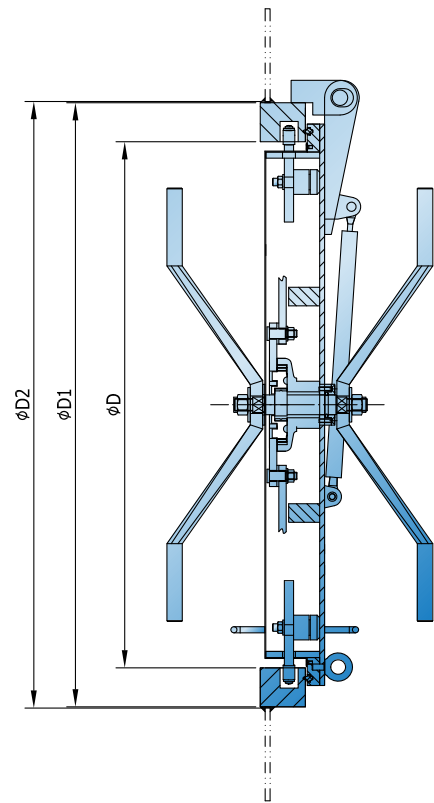
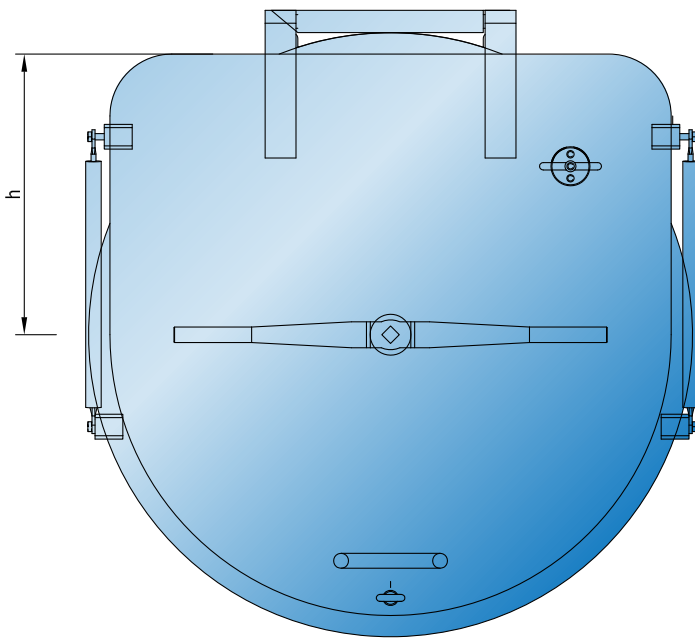
注：大门通孔尺寸为2300X1900mm，门板厚度为10mm，开向为左开，参考重量为675kg。

小门通孔尺寸为1800X750mm，门板厚度为8mm，开向为左开的A60水密门，参考重量为275kg。

The reference weight for 2300X1900-10-6.1/1800X750-8-6.1 262WHL603-00 is 950kg.

○ 轨道舱气密门（圆形）
Gastight Door for Orbit Cabin (Round)

262WHL062-00



通孔尺寸 CLEAR SIZE φ D	门框尺寸 DOOR FRAME SIZE φ D1	围壁开孔尺寸 CUT OPENING SIZE φ D2	h	扎扣数量 QTY. OF DOG
φ 800	φ 926	φ 930	428.5	6, 8
φ 850	φ 976	φ 980	453.5	
φ 1000	φ 1126	φ 1130	528.5	

注：通孔尺寸为 Ø850 轨道舱气密门（圆形）（上开式），参考重量为360kg。

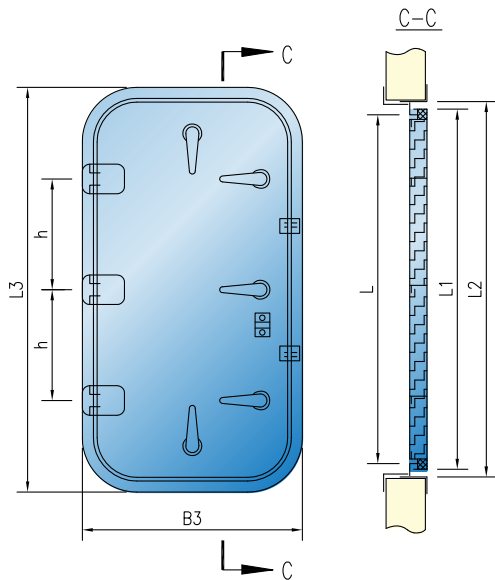
The reference weight for Ø850 262WHL062-00 is 360kg.



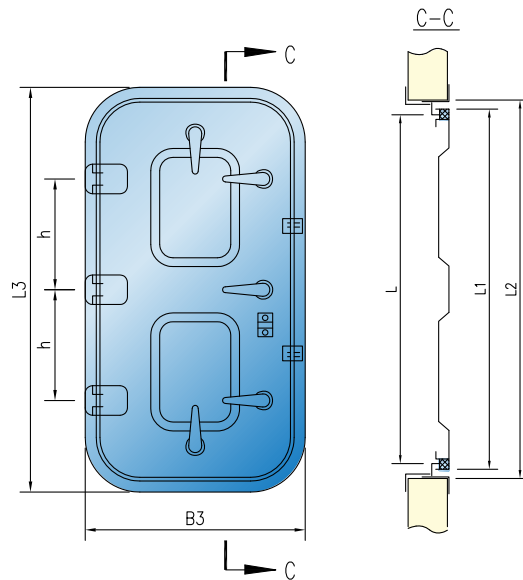
船用风雨密单扇铝质门 Marine Weathertight Single-leaf Aluminium Door

CB/T 454-1997

A 型
TYPE A



B 型
TYPE B



类型 TYPE	名称 NAME	通孔尺寸 CLEAR SIZE LXB	选择项 OPTION
A	构架式船用风雨密单扇铝质门 FRAME TYPE WEATHERTIGHT SINGLE-LEAF ALUMINIUM DOOR	1000X500 1200X500 1400X500 1200X600 1400X600 1600X650	门钩 HOOK 防碰柱 BUMPER 观察窗 PORT HOLE
B	模压式船用风雨密单扇铝质门 MOULDED TYPE WEATHERTIGHT SINGLE-LEAF ALUMINIUM DOOR	1000X500 1200X500 1200X600	

mm

类型 TYPE	通孔尺寸 CLEAR SIZE LXBXR	门板尺寸 DOOR PANEL SIZE L1XB1XR1	围壁开孔尺寸 CUT OPENING SIZE L2XB2XR2	外形尺寸 OVERALL DIMENSIONS L3XB3XR3	铰链把手位置尺寸 HANDLE DIMENSION h	把手数量 QTY. OF CLIP
A	1000X500XR100	1040X540XR120	1080X580XR140	1154X654XR177	300	4
	1200X500XR100	1240X540XR120	1280X580XR140	1354X654XR177	400	5
	1400X500XR100	1440X540XR120	1480X580XR140	1554X654XR177	500	5
B	1200X600XR100	1240X640XR120	1280X680XR140	1354X754XR177	500	5
	1400X600XR100	1440X640XR120	1480X680XR140	1554X754XR177	500	5
	1600X650XR100	1640X690XR120	1680X730XR140	1754X804XR177	600	5

注：通孔尺寸为1400X600的A型左外开船用风雨密单扇铝质门，参考重量为36kg。

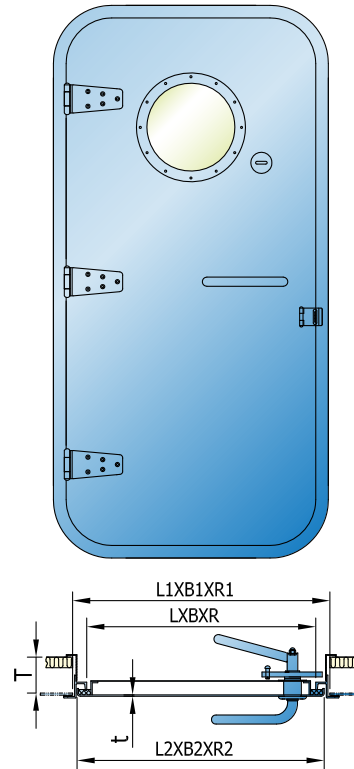
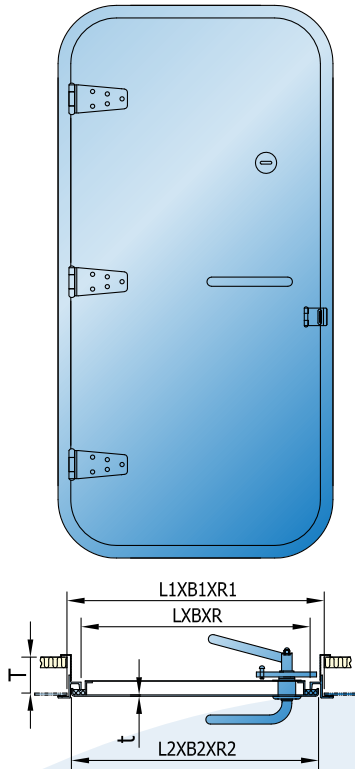
The reference weight for A1400X600-6.1 CB/T454-1997 is 36kg.

快开闭风雨密铝质门 Quick Action Weathertight Aluminium Door

262WHL093D-00

A 型 – 快开闭风雨密铝质门
TYPE A QUICK ACTION WEATHERTIGHT
ALUMINIUM DOOR

B 型 – 快开闭风雨密铝质门
TYPE B QUICK ACTION WEATHERTIGHT
ALUMINIUM DOOR



mm

类型 TYPE	通孔尺寸 CLEAR SIZE LXBXR	围壁开孔尺寸 CUT OPENING SIZE L1XB1XR1	门板尺寸 DOOR PANEL SIZE L2XB2XR2	门板厚度 THK. OF PANEL t	选择项 OPTION	
A	1200X600XR100	1280X680XR140	1248X648XR124	4	门钩 HOOK	
	1400X650XR100	1480X730XR140	1448X698XR124			
	1600X650XR100	1680X730XR140	1648X698XR124			
	1600X700XR100	1680X780XR140	1648X748XR124			
B	1200X600XR100	1280X680XR140	1248X648XR124		4	门碰 BUMPER
	1400X650XR100	1480X730XR140	1448X698XR124			
	1600X650XR100	1680X730XR140	1648X698XR124			
	1600X700XR100	1680X780XR140	1648X748XR124			

注：通孔尺寸为1600X650的A型快开闭风雨密铝质门（左外开式），参考重量为48kg。

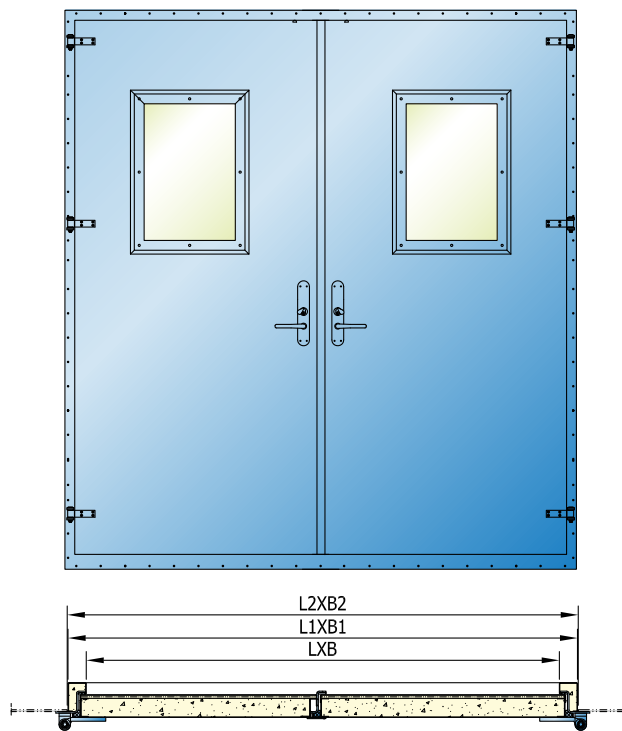
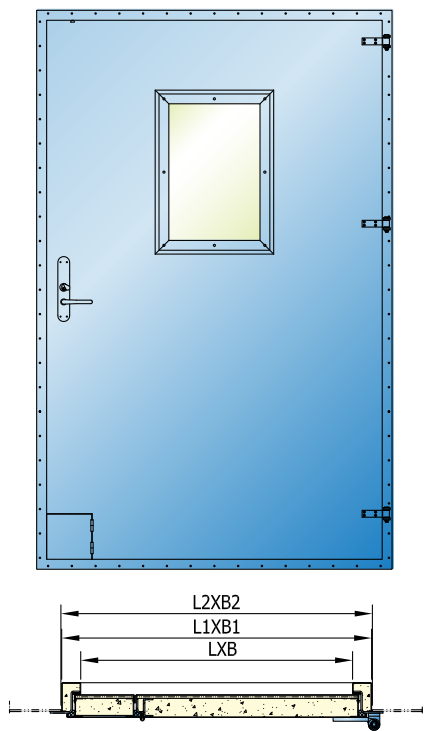
The reference weight for A1600X650-6.1 262WHL093D-00 is 48kg.



○ A60 风雨密气密门 (单扇、双扇) A60 Weathertight and Gastight Door (Single-leaf, Double-leaf)

单扇 262WHL653-00
SINGLE-LEAF

双扇 262WHL651-00
DOUBLE-LEAF



类型 TYPE	通孔尺寸 CLEAR SIZE LXB	门框尺寸 DOOR FRAME SIZE L1XB1	围壁开孔尺寸 CUT OPENING SIZE L2XB2	选择项 OPTION
单扇 SINGLE LEAF 262WHL653-00	1600X600	1696X696	1700X700	窗 WINDOW
	1650X650	1746X746	1750X750	
	1700X700	1796X796	1800X800	
	1750X800	1846X896	1850X900	
双扇 DOUBLE LEAF 262WHL651-00	2400X1400	2496X1496	2500X1500	闭门器 DOOR CLOSER
	1600X1000	1696X1096	1700X1100	
	1650X1100	1746X1196	1750X1200	定门器 DOOR STOPER
	1700X1300	1796X1396	1800X1400	
	1750X1600	1846X1696	1850X1700	
	2500X2300	2596X2396	2600X2400	

注：通孔尺寸为1600X600 A60单扇风雨密气密门（右外开式），参考重量为122kg。

The reference weight for A60 1600X600-5.1 262WHL653-00 is 122kg.

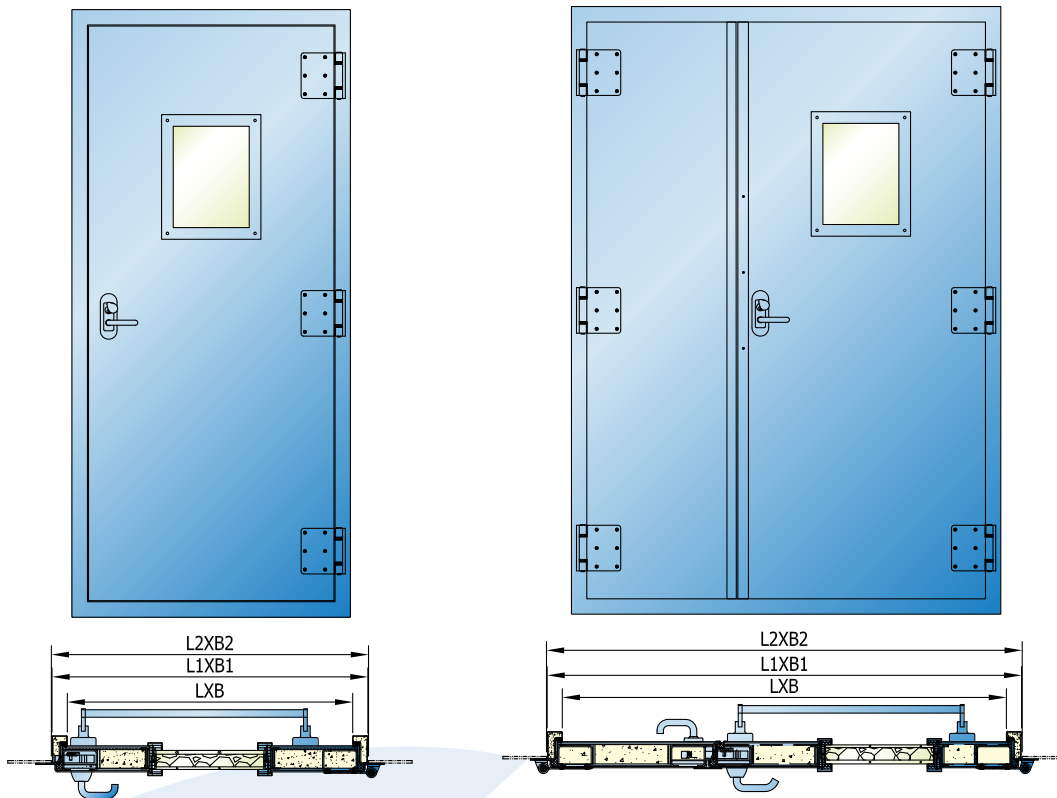
通孔尺寸为1600X1000 A60双扇风雨密气密门（双外开），参考重量为178kg。

The reference weight for A60 1600X1000-5.1 & 6.1 262WHL651-00 is 178kg.

○ A60 风雨密气密门 (单扇、双扇) A60 Weathertight and Gastight Door (Single-leaf, Double-leaf)

单扇 262WHL653C-00
SINGLE-LEAF

双扇 262WHL651C-00
DOUBLE-LEAF



mm

类型 TYPE	通孔尺寸 CLEAR SIZE LXB	门框尺寸 DOOR FRAME SIZE L1XB1	围壁开孔尺寸 CUT OPENING SIZE L2XB2	选择项 OPTION
单扇 SINGLE LEAF 262WHL653C-00	1600X600	1696X696	1700X700	窗 WINDOW
	1650X650	1746X746	1750X750	
	1700X700	1796X796	1800X800	
	1750X800	1846X896	1850X900	闭门器 DOOR CLOSER
	2200X1200	2296X1296	2300X1300	
双扇 DOUBLE LEAF 262WHL651C-00	1600X1000	1696X1096	1700X1100	定门器 DOOR STOPPER
	1650X1100	1746X1196	1750X1200	
	1700X1300	1796X1396	1800X1400	
	1750X1600	1846X1696	1850X1700	
	2200X1800	2296X1896	2300X1900	

注：通孔尺寸为1600X600 A60单扇风雨密气密门（右外开式），参考重量为155kg。

The reference weight for A60 1600X600-5.1 262WHL653C-00 is 155kg.

通孔尺寸为1600X1000 A60双扇风雨密气密门（双外开），参考重量为285kg。

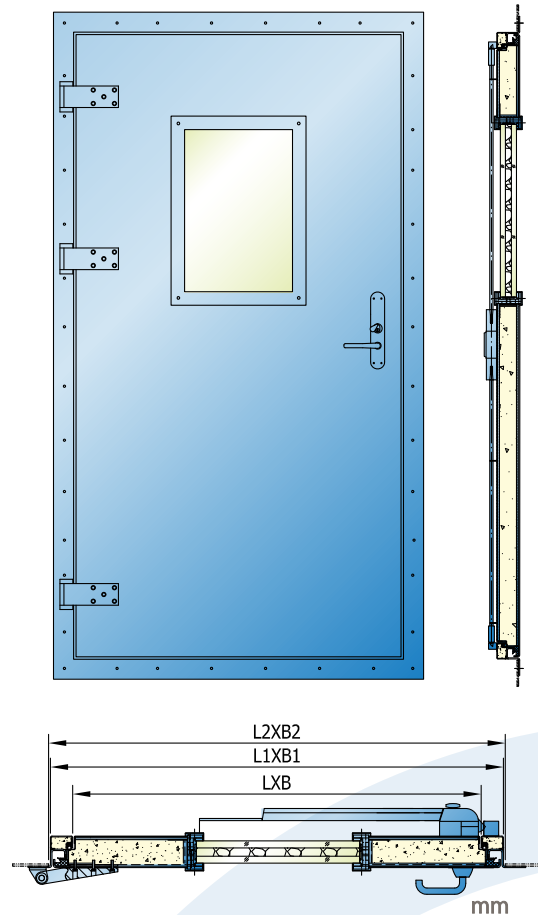
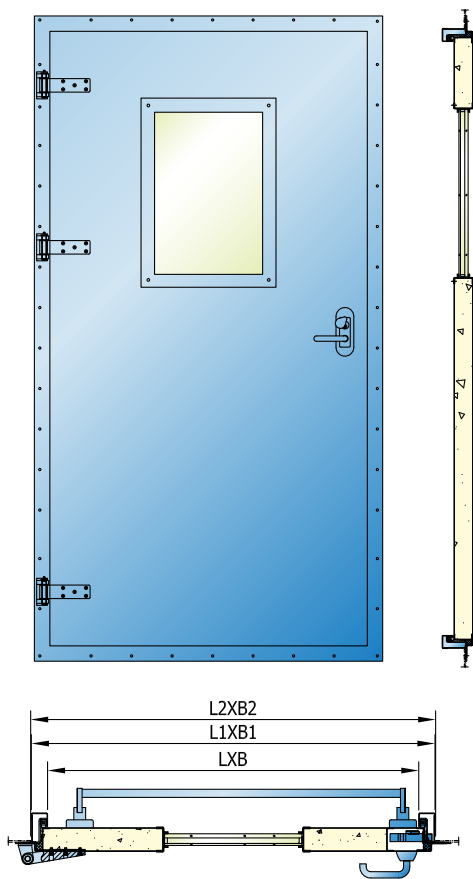
The reference weight for A60 1600X1000-5.1 & 6.1 262WHL651C-00 is 285kg.



○ A0 级风雨密气密防火门/A60 级防火风雨密气密门 A0 Weathertight and Gastight Door/ A60 Weathertight and Gastight Door

A0 级风雨密气密防火门 262WHL032-00
A0 WEATHERTIGHT AND GASTIGHT DOOR

A60 级防火风雨密气密门 262WHL052-00
A60 WEATHERTIGHT AND GASTIGHT DOOR



类型 TYPE	通孔尺寸 CLEAR SIZE LXB	门框尺寸 DOOR FRAME SIZE L1XB1	围壁开孔尺寸 CUT OPENING SIZE L2XB2	选择项 OPTION
A0 级风雨密气密防火门 A0 WEATHERTIGHT AND GASTIGHT DOOR 262WHL032-00	1600X600	1696X696	1700X700	窗 WINDOW 闭门器 DOOR CLOSER
	1700X700	1796X796	1800X800	
	1800X800	1896X896	1900X900	
	2200X1100	2496X1496	2300X1200	
A60级防火风雨密气密门 A60 WEATHERTIGHT AND GASTIGHT DOOR 262WHL052-00	1600X1000	1720X1120	1730X1130	定门器 DOOR STOPER
	1700X1300	1820X1420	1830X1430	
	1800X1600	1920X1720	1930X1730	
	2200X1100	2320X1220	2330X1230	

注：通孔尺寸为1600X600 A-0级风雨密气密防火门（右外开式），参考重量为105kg。

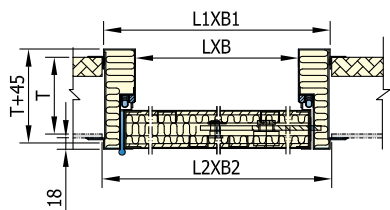
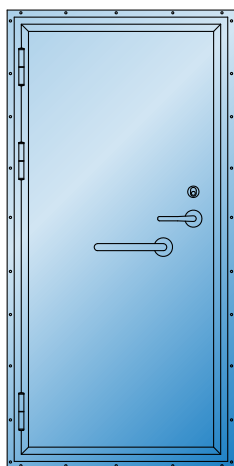
The reference weight for A0 1600X600-5.1 262WHL032-00 is 105kg.

通孔尺寸为1600X600 A60级防火风雨密气密门（右外开式），参考重量为160kg。

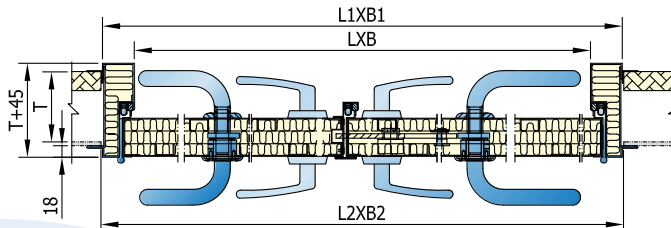
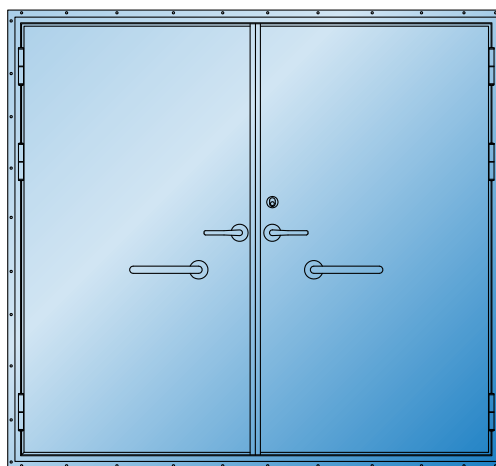
The reference weight for A60 1600X600-5.1 262WHL052-00 is 160kg.

○ (舱室A型) A60 风雨密气密门 (单扇, 双扇)
(Type A Cabin) A60 Weathertight and Gastight Door
(Single-leaf, Double-leaf)

单扇 262WHL005M-00
SINGLE-LEAF



双扇 262WHL005MS-00
DOUBLE-LEAF



类型 TYPE	通孔尺寸 CLEAR SIZE LXB	门框尺寸 DOOR FRAME SIZE L1XB1	围壁开孔尺寸 CUT OPENING SIZE L2XB2	选择项 OPTION
单扇 SINGLE LEAF 262WHL005M-00	1600X600	1700X700	1705X705	闭门器 DOOR CLOSER
	1650X650	1750X750	1755X755	
	1700X700	1800X800	1805X805	
	1750X800	1850X900	1855X905	
	1900X900	2000X1000	2005X1005	
双扇 DOUBLE LEAF 262WHL005MS-00	1600X1000	1700X1100	1705X1105	定门器 DOOR STOPER
	1650X1100	1750X1200	1755X1205	
	1700X1300	1800X1400	1805X1405	
	1750X1600	1850X1700	1855X1705	
	2000X1850	2100X1950	2105X1955	

注: 通孔尺寸为1600X600 A60单扇风雨密气密门 (左外开式), 参考重量为118kg。

The reference weight for A60 1600X600-6.1 262WHL005M-00 is 118kg.

通孔尺寸为1600X1000 A60双扇风雨密气密门 (双外开), 参考重量为175kg。

The reference weight for A60 1600X1000-5.1 & 6.1 262WHL005MS-00 is 175kg.

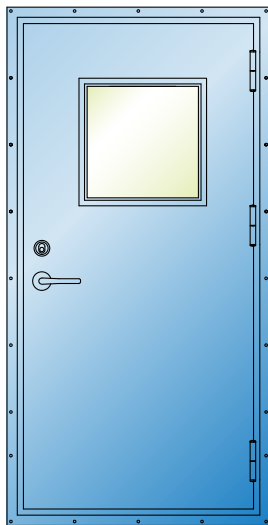


铝质/不锈钢风雨密外围壁门 (单) Aluminium/stainless Steel Weathertight Door for Weather Wall (Single)

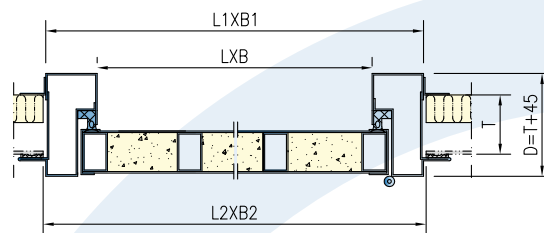
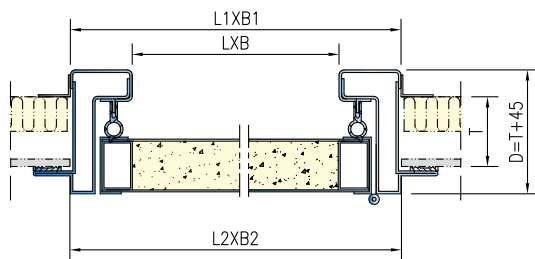
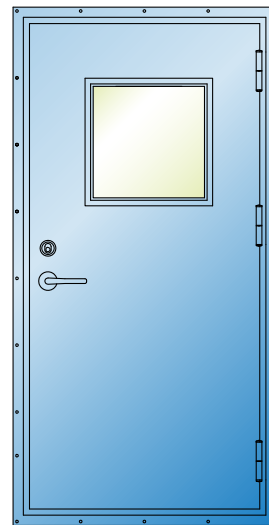
适用于船舶上层建筑外门，具有良好风雨密性和气密性。
USED FOR ENTRANCE DOOR OF SHIP SUPERSTRUCTURE.
GOOD WEATHERTIGHTNESS AND GASTIGHTNESS.

N	不锈钢 STAINLESS STEEL
L	铝质 ALUMINIUM

262WHL044A-00



262WHL043A-00



类型 TYPE	通孔尺寸 CLEAR SIZE LXB	门框尺寸 SIZE OF FRAME L1XB1	围壁开孔尺寸 CUT OPENING SIZE L2XB2	D	开向 OPENING DIRECTION	选择项 OPTION
单扇 SINGLE	1600X600	1695X695	1700X700	T+45	右外 RO 左外 LO	方窗 WINDOW 闭门器 DOOR CLOSER 定门器 DOOR STOPPER
	1600X800	1695X895	1700X900			
	1700X700	1795X795	1800X800			
	1800X800	1895X895	1900X900			

mm

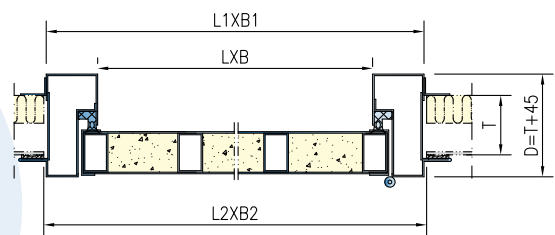
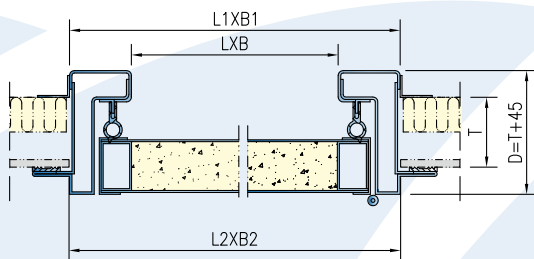
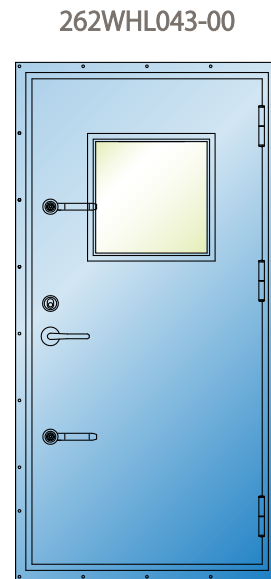
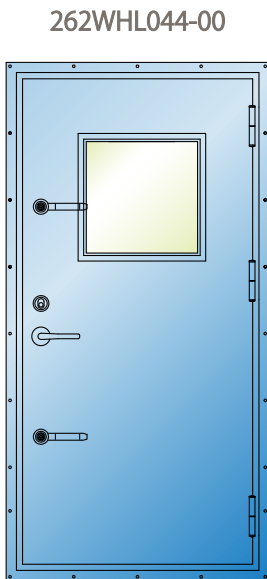
注：通孔尺寸为 1600X600，门框深度150的不锈钢风雨密外围壁门（右外开式），参考重量为64kg。

The reference weight for N-1600X600 D150-5.1 262WHL044A-00 is 64kg.

○ 铝质/不锈钢风雨密外围壁门（单） Aluminium/stainless Steel Weathertight Door for Weather Wall (Single)

适用于船舶上层建筑外门，具有良好风雨密性和气密性。
USED FOR ENTRANCE DOOR OF SHIP SUPERSTRUCTURE.
GOOD WEATHERTIGHTNESS AND GASTIGHTNESS.

N	不锈钢 STAINLESS STEEL
L	铝质 ALUMINIUM



mm

类型 TYPE	通孔尺寸 CLEAR SIZE LXB	门框尺寸 SIZE OF FRAME L1XB1	围壁开孔尺寸 CUT OPENING SIZE L2XB2	D	开向 OPENING DIRECTION	选择项 OPTION
单扇 SINGLE	1600X600	1695X695	1700X700	T+45	右外 RO 左外 LO	方窗 WINDOW 闭门器 DOOR CLOSER 定门器 DOOR STOPPER
	1600X800	1695X895	1700X900			
	1700X700	1795X795	1800X800			
	1800X800	1895X895	1900X900			

注：通孔尺寸为 1600X600，门框深度150的不锈钢风雨密外围壁门（右外开式），参考重量为67kg。

The reference weight for N-1600X600 D150-5.1 262WHL044A-00 is 67kg.



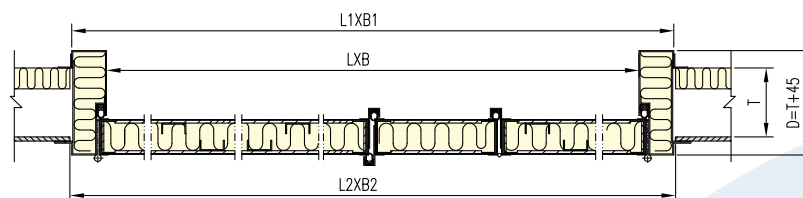
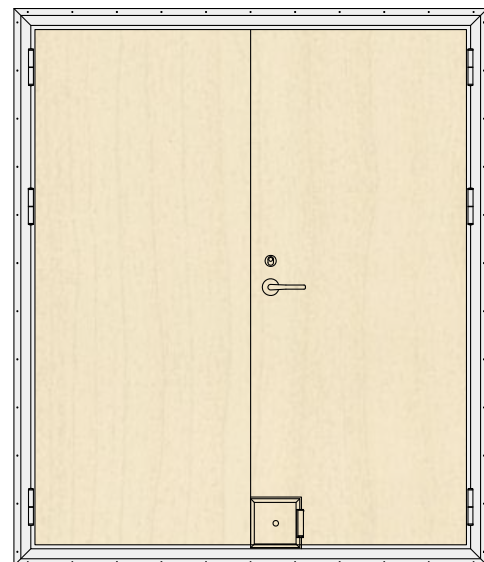
○ A60 级双扇防火门（带消防小门） A60 Class Double Leaves Fireproof Door (with Small Fire Fighting Door)

262WHL005S-00

适应舱壁

APPLICABLE BULKHEAD

A	一道钢围壁 ONE STEEL BULKHEAD	
B	一道钢围壁 ONE STEEL BULKHEAD 一道装饰壁 ONE DECORATION BULKHEAD	
C	一道钢围壁 ONE STEEL BULKHEAD 二道装饰壁 TWO DECORATION BULKHEAD	



类型 TYPE	通孔尺寸 CLEAR SIZE LXB	门框尺寸 SIZE OF FRAME L1XB1	围壁开孔尺寸 CUT OPENING SIZE L2XB2	D	开向 OPENING DIRECTION	选择项 OPTION
双扇 DOUBLE	1700x1200	1800X1300	1805X1305	T+45	双外 DOU.O 双内 DOU.I	闭门器 DOOR CLOSER 定门器 DOOR STOPPER
	1700X1400	1800X1500	1805X1505			
	1750X1300	1850X1400	1855X1405			
	1850X1550	1950X1650	1955X1655			

注：通孔尺寸为 1700X1200，门框深度150的A60双扇防火门（带消防小门）（双外开式），参考重量为184kg。

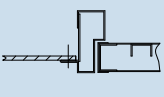
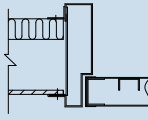
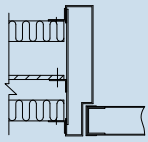
The reference weight for 1700X1200 D150-5.1 262WHL005S-00 is 184kg.

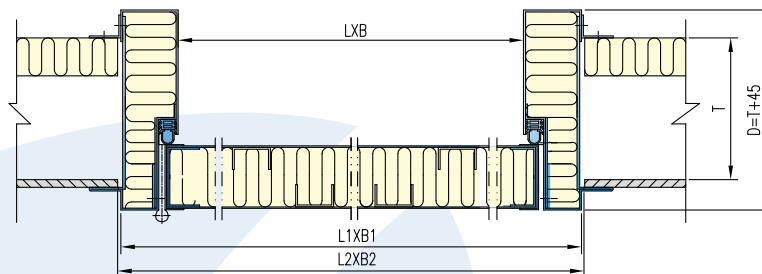
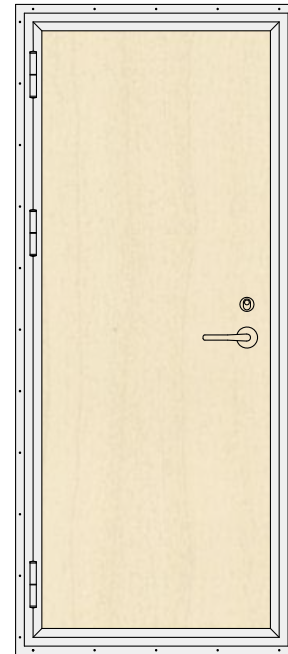
○ H30b 铝质防火门 H30b Aluminium Fireproof Door

262WHL004B-00

适应舱壁

APPLICABLE BULKHEAD

A	一道钢围壁 ONE STEEL BULKHEAD	
B	一道钢围壁 ONE STEEL BULKHEAD 一道装饰壁 ONE DECORATION BULKHEAD	
C	一道钢围壁 ONE STEEL BULKHEAD 二道装饰壁 TWO DECORATION BULKHEAD	



mm

类型 TYPE	通孔尺寸 CLEAR SIZE LXB	门框尺寸 SIZE OF FRAME L1XB1	围壁开孔尺寸 CUT OPENING SIZE L2XB2	D	开向 OPENING DIRECTION	选择项 OPTION
单扇 SINGLE	1600X600	1700X700	1705X705	T+45	右外 RO 左外 LO	闭门器 DOOR CLOSER 定门器 DOOR STOPPER
	1700X700	1800X800	1805X805			
	1750X700	1850X800	1855X805			
	1850X800	1950X900	1955X905			

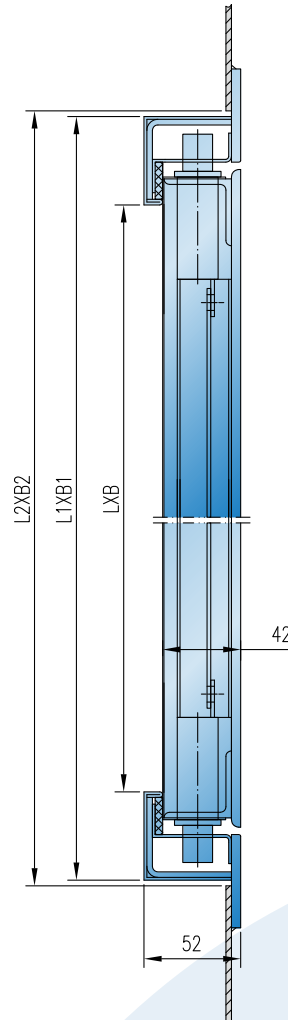
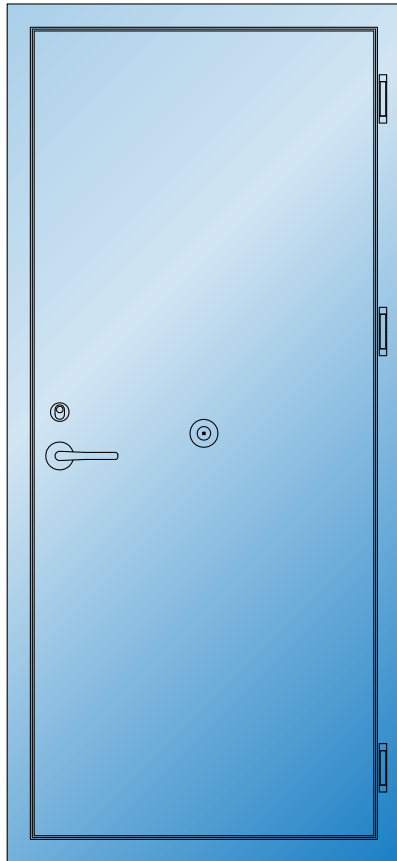
注：通孔尺寸为 1600X600，门框深度150的H30b铝质防火门（右外开式），参考重量为77kg。

The reference weight for 1600X600 D150-5.1 262WHL004B-00 is 77kg.



○ A30防火防盗门 A30 Fire Proof Anti-theft Proof Door

262WHL004FD-00



mm

类型 TYPE	通孔尺寸 CLEAR SIZE LXB	门框尺寸 SIZE OF FRAME L1XB1	围壁开孔尺寸 CUT OPENING SIZE L2XB2	D	开向 OPENING DIRECTION	选择项 OPTION
单扇 SINGLE	1650X600	1750X700	1755X705	52	右外 RO 左外 LO	—
	1700X700	1800X800	1805X805			
	1750X700	1850X800	1855X805			
	1900X900	2000X1000	2005X1005			


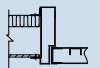
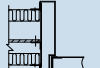
注：通孔尺寸为 1650X600的A30防火防盗门（右外开式），参考重量为77kg。

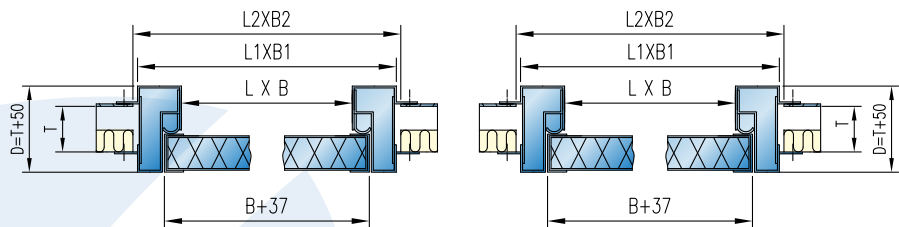
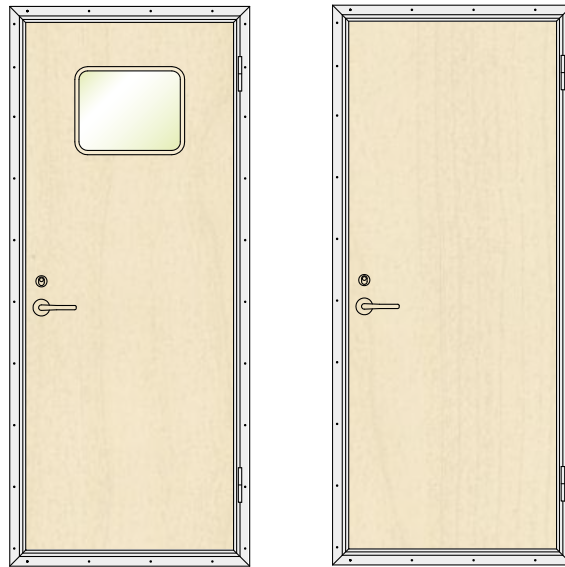
The reference weight for 1650X600-5.1 262WHL004FD-00 is 77kg.

钢质隔音阻气门 Steel Soundproof Gas-retarding Door

适用于机舱控制室等部位
USED FOR ENGINE CONTROL ROOM AND SO ON

适应舱壁
APPLICABLE BULKHEAD

A	一道钢围壁 ONE STEEL BULKHEAD	
B	一道钢围壁 ONE STEEL BULKHEAD 一道装饰壁 ONE DECORATION BULKHEAD	
C	一道钢围壁 ONE STEEL BULKHEAD 二道装饰壁 TWO DECORATION BULKHEAD	



类型 TYPE	通孔尺寸 CLEAR SIZE LXB	门框尺寸 SIZE OF FRAME L1XB1	围壁开孔尺寸 CUT OPENING SIZE L2XB2	D	开向 OPENING DIRECTION	选择项 OPTION
单扇 SINGLE	1600X600	1695X695	1700X700	T+50	右外 RO 左外 LO	方窗 WINDOW
	1600X800	1695X895	1700X900			闭门器 DOOR CLOSER
	1700X700	1795X795	1800X800			定门器 DOOR STOPPER
	1800X800	1895X895	1900X900			

注：通孔尺寸为 1600X600，门框深度150的钢质隔音阻气门（右外开式），参考重量为77kg。

The reference weight for 1600X600 D150-5.1 is 64kg.



铝质舱室空腹门 Aluminium Hollow Cabin Door

CB/T3281-1997

适用于各类船舶、舰艇室，表面阳极氧化静电喷塑和复塑处理。

USED FOR CABIN OF VARIOUS KINDS OF SHIP AND WAR SHIPS, USED FOR CABIN OF VARIOUS KINDS OF SHIP AND WAR SHIP.

方角形舱室空腹门

RECTANGULAR CORNER DOOR

A	一道钢围壁 ONE STEEL BULKHEAD	
B	一道钢围壁 ONE STEEL BULKHEAD 一道装饰壁 ONE DECORATION BULKHEAD	
C	一道钢围壁 ONE STEEL BULKHEAD 二道装饰壁 TWO DECORATION BULKHEAD	

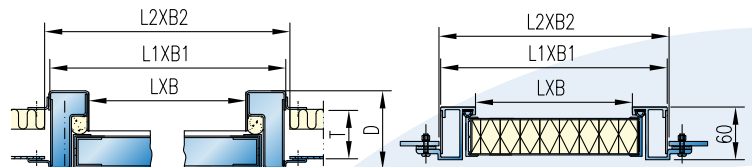
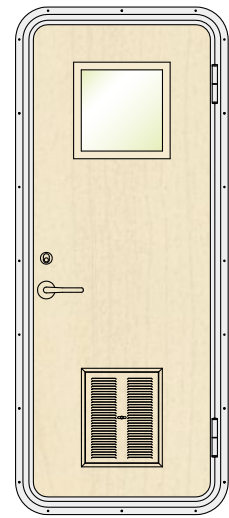
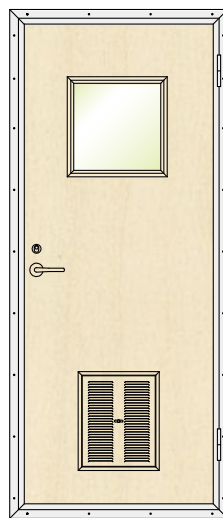
圆角形舱室空腹门壁

ROUND CORNER DOOR

A	一道钢围壁 ONE STEEL BULKHEAD	
B	一道钢围壁 ONE STEEL BULKHEAD 一道装饰壁 ONE DECORATION BULKHEAD	
C	一道钢围壁 ONE STEEL BULKHEAD 二道装饰壁 TWO DECORATION BULKHEAD	

262WHL010A-00

262WHL010Y-00



类型 TYPE	通孔尺寸 CLEAR SIZE LXB	门框尺寸 SIZE OF FRAME L1XB1	围壁开孔尺寸 CUT OPENING SIZE L2XB2	D	开向 OPENING DIRECTION	选择项 OPTION
单扇 SINGLE	1600X600	1680X680	1680X680	60 T+50	右外 RO 左外 LO	方窗 WINDOW
	1600X800	1680X880	1680X880			应急逃口 ESCAPE
	1700X700	1780X780	1780X780			通风栅 VENT LOUVER
	1700X800	1780X880	1780X880			闭门器 DOOR CLOSER
	1800X800	1880X880	1880X880			定门器 DOOR STOPPER

注：通孔尺寸为 1600X600，门框深度150的铝质舱室空腹门（右外开式），参考重量为38kg。



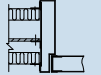
The reference weight for A1600X600 D150-5.1 262WHL010A-00 is 38kg.

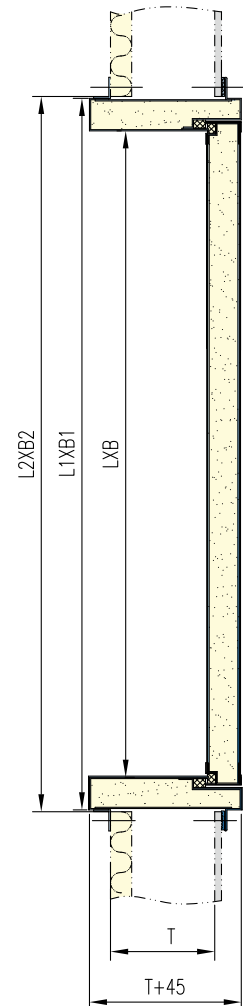
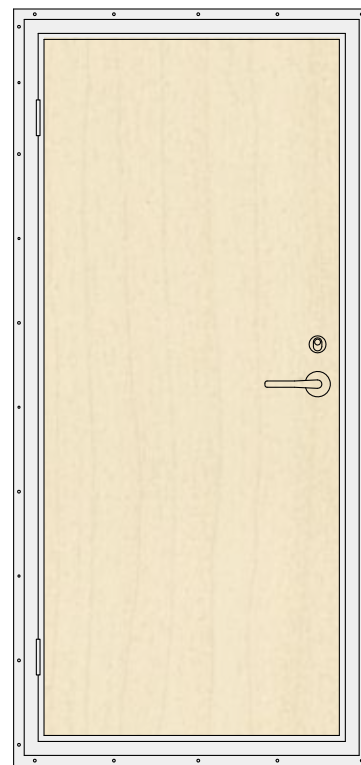
钢质隔声门 Steel Sound Proof Door

262WHL009G-00

隔声值32dB
SOUND PROOF VALUE 32 dB

适应舱壁
APPLICABLE BULKHEAD

A	一道钢围壁 ONE STEEL BULKHEAD	
B	一道钢围壁 ONE STEEL BULKHEAD 一道装饰壁 ONE DECORATION BULKHEAD	
C	一道钢围壁 ONE STEEL BULKHEAD 二道装饰壁 TWO DECORATION BULKHEAD	



mm

类型 TYPE	通孔尺寸 CLEAR SIZE LXB	门框尺寸 SIZE OF FRAME L1XB1	围壁开孔尺寸 CUT OPENING SIZE L2XB2	D	开向 OPENING DIRECTION	选择项 OPTION
单扇 SINGLE	1600X600	1694X694	1700X700	T+45	右外 RO 左外 LO	方窗 WINDOW 闭门器 DOOR CLOSER 定门器 DOOR STOPPER
	1600X800	1694X894	1700X900			
	1700X700	1794X794	1800X800			
	1800X800	1894X894	1900X900			

注：通孔尺寸为 1600X600，门框深度150的钢质隔声门（右外开式），参考重量为77kg。

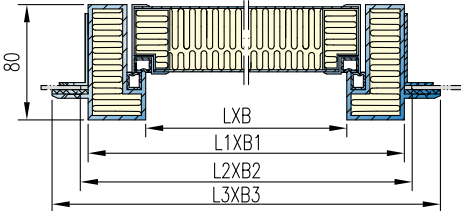
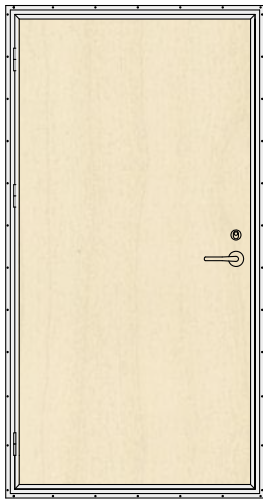
The reference weight for 1600X600 D150-5.1 262WHL009G-00 is 77kg.



铝质隔声门 Aluminium Sound Proof Door

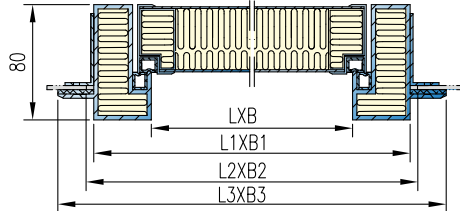
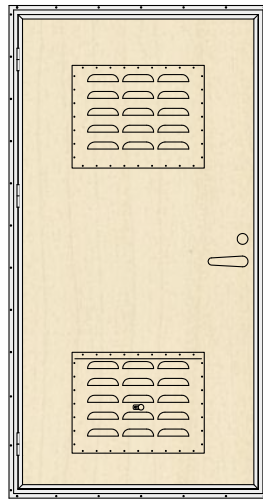
262WHL009A-00

隔声值37dB
SOUND PROOF VALUE 37 dB



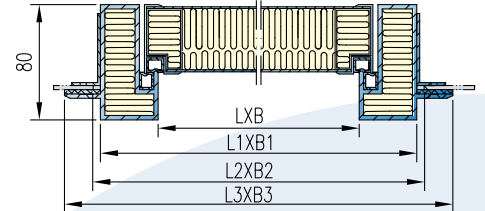
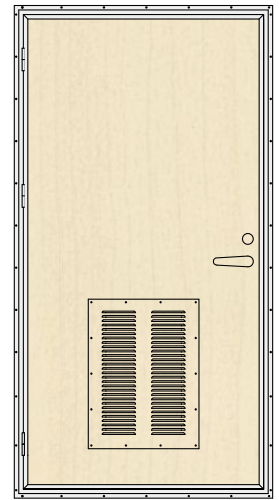
262WHL009T-00

隔声值35dB
SOUND PROOF VALUE 35 dB



262WHL009V-00

隔声值25dB
SOUND PROOF VALUE 25 dB



类型 TYPE	通孔尺寸 CLEAR SIZE LXB	门框尺寸 SIZE OF FRAME L1XB1	围壁开孔尺寸 CUT OPENING SIZE L2XB2	D	开向 OPENING DIRECTION	选择项 OPTION
单扇 SINGLE	1600X600	1680X680	1680X680	80	右外 RO 左外 LO	闭门器 DOOR CLOSER 定门器 DOOR STOPPER
	1600X800	1680X880	1680X880			
	1700X700	1880X780	1780X780			
	1750X700	1830X780	1830X780			

注：通孔尺寸为 1650X650 的铝质隔声门（右外开式），参考重量为44kg。

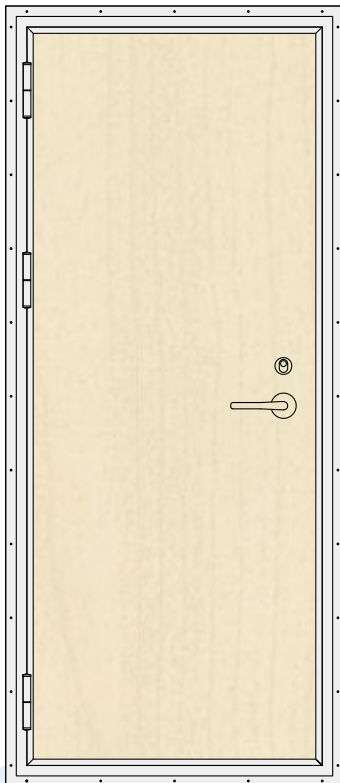
The reference weight for 1650X650-5.1 262WHL009A-00 is 44kg.

A0 隔声防火门 A0 Sound & Fireproof Door

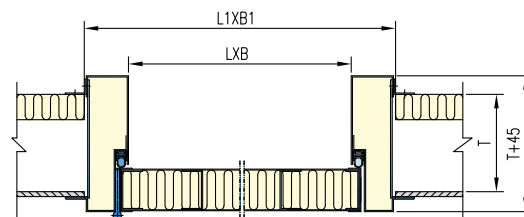
262WHL016X-00

隔声值38dB
SOUND PROOF VALUE 38 dB

适应舱壁
APPLICABLE BULKHEAD



A	一道钢围壁 ONE STEEL BULKHEAD	
B	一道钢围壁 ONE STEEL BULKHEAD 一道装饰壁 ONE DECORATION BULKHEAD	
C	一道钢围壁 ONE STEEL BULKHEAD 二道装饰壁 TWO DECORATION BULKHEAD	



类型 TYPE	通孔尺寸 CLEAR SIZE LXB	门框尺寸 SIZE OF FRAME L1XB1	围壁开孔尺寸 CUT OPENING SIZE L2XB2	D	开向 OPENING DIRECTION	选择项 OPTION
单扇 SINGLE	1600X600	1695X695	1700X700	T+45	右外 RO 左外 LO	闭门器 DOOR CLOSER 定门器 DOOR STOPPER
	1700X700	1795X795	1800X800			
	1800X800	1995X995	1900X900			
	2000X1000	2095X1095	2100X1100			

注：通孔尺寸为 1600X600, 门框深度150的A0隔声防火门（右外开式），参考重量为70g。

The reference weight for 1600X600 D150-5.1 262WHL016X-00 is 70kg.

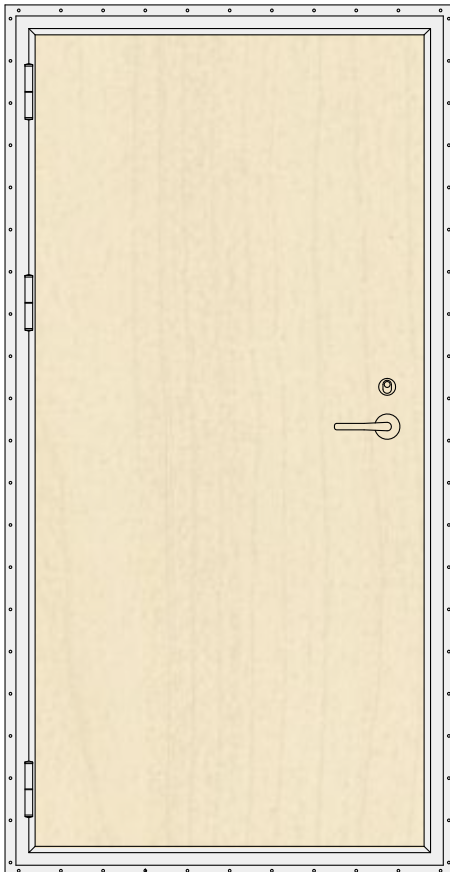


H120 防火门 H120 Fireproof Door

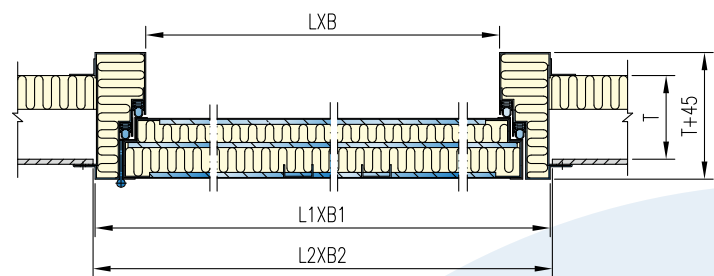
262WHL006H-00

适应舱壁

APPLICABLE BULKHEAD



A	一道钢围壁 ONE STEEL BULKHEAD	
B	一道钢围壁 ONE STEEL BULKHEAD 一道装饰壁 ONE DECORATION BULKHEAD	
C	一道钢围壁 ONE STEEL BULKHEAD 二道装饰壁 TWO DECORATION BULKHEAD	



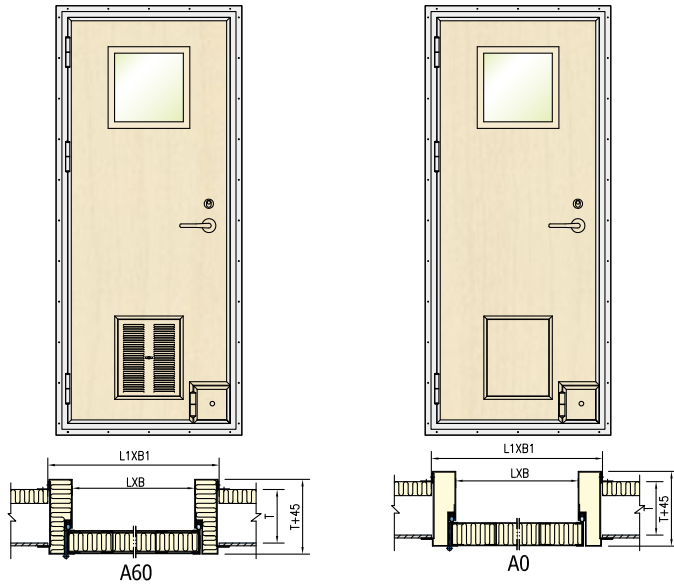
类型 TYPE	通孔尺寸 CLEAR SIZE LXB	门框尺寸 SIZE OF FRAME L1XB1	围壁开孔尺寸 CUT OPENING SIZE L2XB2	D	开向 OPENING DIRECTION	选择项 OPTION
单扇 SINGLE	1650X600	1770X720	1775X725	Min.110 T+45	右外 RO 左外 LO	闭门器 DOOR CLOSER 定门器 DOOR STOPPER
	1700X700	1820X820	1825X825			
	1800X800	1920X920	1925X925			
	1900X900	2020X1020	2025X1025			

注：通孔尺寸为 1650X650.门框深度150的H120防火门（右外开式），参考重量为102kg。

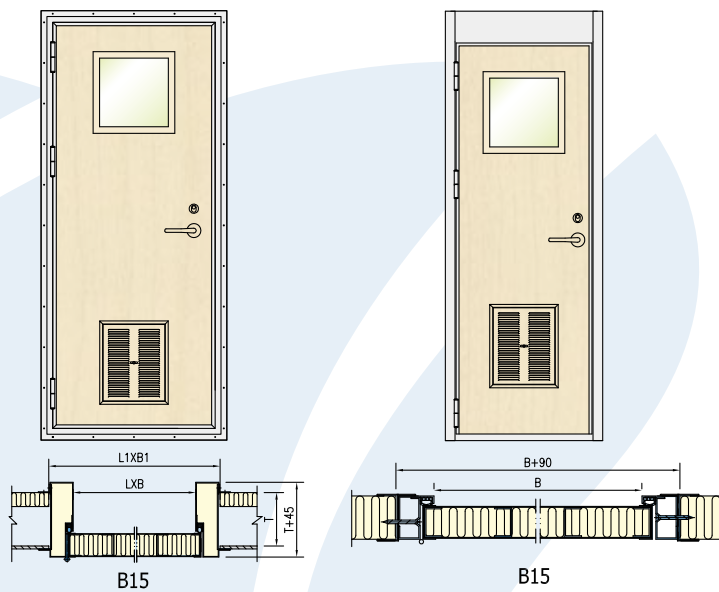
The reference weight for 1650X650 D150-5.1 262WHL006H-00 is 102kg.

单扇防火门
Single-leaf Fire Proof Door

CB*3234-2011



等级 CLASS	分类 TYPE	开向 OPENING DIR.
A级 CLASS A	A60	左内 LI (ZN)
	A0	左外 LO (ZW)
B级 CLASS B	B15	右内 RI (YN) 右外 RO (YW)



适应舱壁

APPLICABLE BULKHEAD

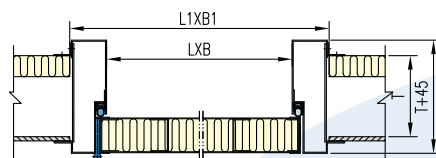
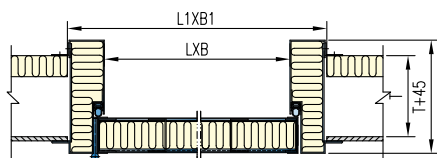
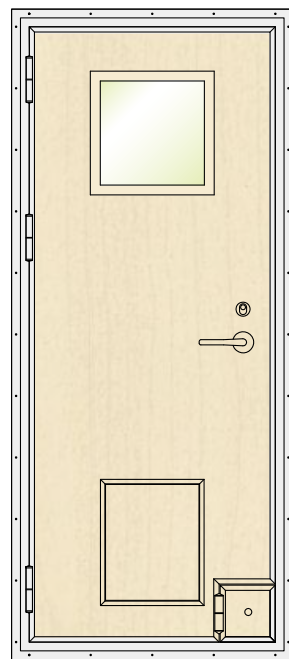
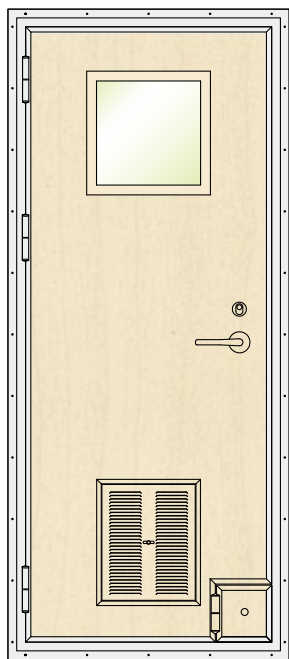
A	一道钢围壁 ONE STEEL BULKHEAD	
B	一道钢围壁 ONE STEEL BULKHEAD 一道装饰壁 ONE DECORATION BULKHEAD	
C	一道钢围壁 ONE STEEL BULKHEAD 二道装饰壁 TWO DECORATION BULKHEAD	



○ A 级防火门 A Class Fire-proof Door

A60 级防火门 262WHL005X-00
A60 CLASS FIRE-PROOF DOOR

A0 级防火门 262WHL016X-00
A0 CLASS FIRE-PROOF DOOR



mm

类型 TYPE	通孔尺寸 CLEAR SIZE LXB	门框尺寸 SIZE OF FRAME L1XB1	围壁开孔尺寸 CUT OPENING SIZE L2XB2	D	开向 OPENING DIRECTION	选择项 OPTION
A60防火门 A60 FIRE-PROOF DOOR	1600X600	1695X695	1700X700	T+45	右外 RO	方窗 WINDOW
	1700X700	1795X795	1800X800			应急出口 ESCAPE
	1800X800	1895X895	1900X900			通风栅 VENT LOUVER
	2300X1300	2395X1395	2400X1400			消防小门 HOSE PORT 闭门器 DOOR CLOSER
A0防火门 A0 FIRE-PROOF DOOR	1600X600	1695X695	1700X700		左外 LO	方窗 WINDOW
	1700X700	1795X795	1800X800			应急出口 ESCAPE
	1800X800	1895X895	1900X900			消防小门 HOSE PORT
	2300X1300	2395X1395	2400X1400			闭门器 DOOR CLOSER

注：通孔尺寸为 1600X600，门框深度150的A60防火门（右外开式），参考重量为93kg。

The reference weight for 1600X600 D150-5.1 262WHL005X-00 is 93kg.

通孔尺寸为 1600X600，门框深度150的A0防火门（右外开式），参考重量为68kg。

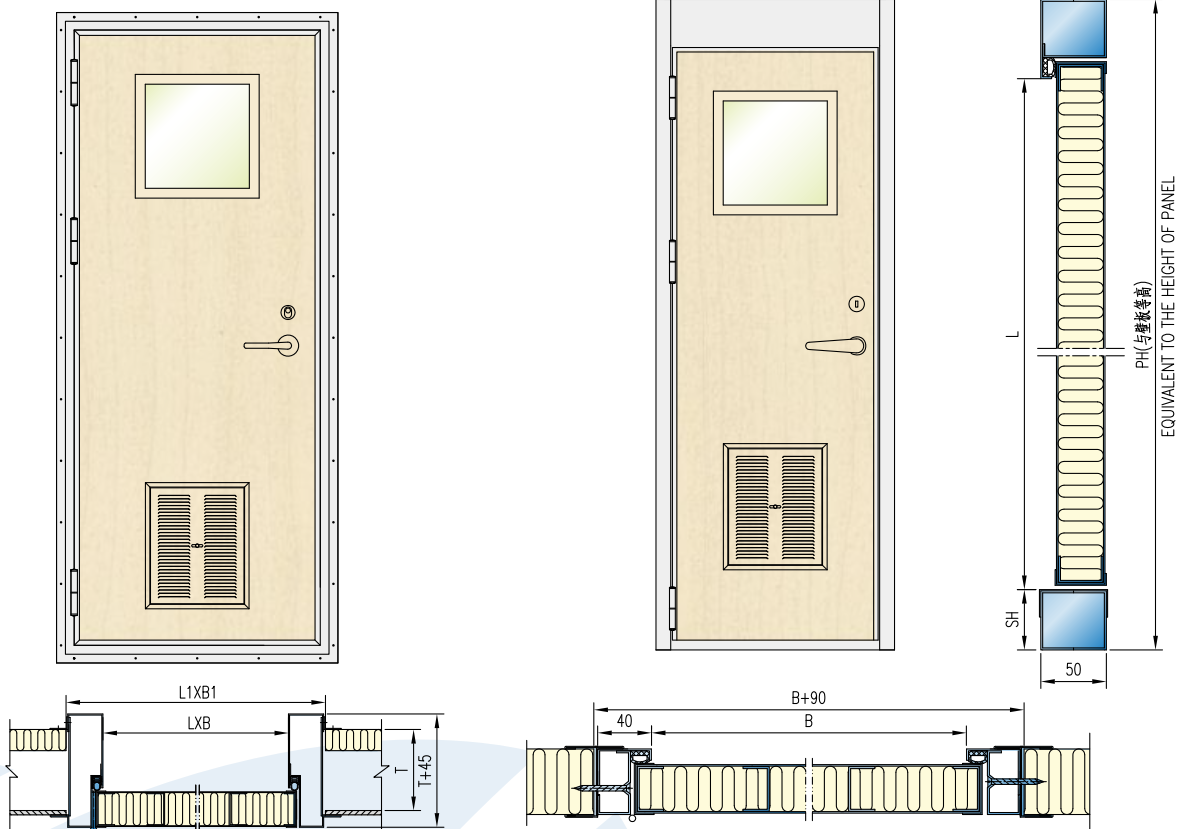
The reference weight for 1600X600 D150-5.1 262WHL016X-00 is 68kg.

B15 级防火门 B15 Class Fire-proof Door

262WHL006X-00

B15 级防火门 262WHL006X-00
B15 CLASS FIRE-PROOF DOOR

B15 级独立壁防火门 262WHL006S-00
B15 CLASS PANEL INSTALLED DOOR



mm

类型 TYPE	通孔尺寸 CLEAR SIZE LXB	门框尺寸 SIZE OF FRAME L1XB1	围壁开孔尺寸 CUT OPENING SIZE L2XB2	D	开向 OPENING DIRECTION	选择项 OPTION
B15防火门 B15 CLASS FIRE-PROOF DOOR	1600X600	1695X695	1700X700	T+45	右外 RO 左外 LO	方窗 WINDOW 应急出口 ESCAPE 通风栅 VENT LOUVER 闭门器 DOOR CLOSER 定门器 DOOR STOPPER
	1700X700	1795X795	1800X800			
	1800X800	1895X895	1900X900			
	2300X1300	2395X1395	2400X1400			
B15 级独立 壁防火门 B15 CLASS PANEL INSTALLED DOOR	1600X600	—	—	50		
	1700X700					
	1800X800					
	2300X1200					

注：通孔尺寸为 1600X600，门框深度150的B15防火门（右外开式），参考重量为68kg。

The reference weight for 1600X600 D150-5.1 262WHL006X-00 is 68kg.

通孔尺寸为 1600X600，门框总高2400.门槛高度50的B15独立壁防火门（右外开式），参考重量为69.8kg。

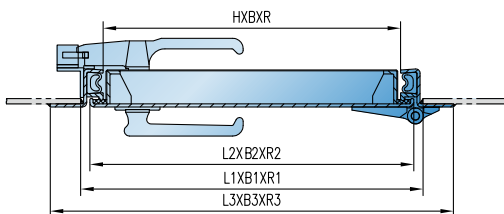
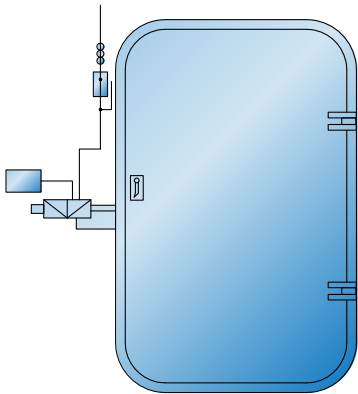
The reference weight for 1600X600 D150-5.1 262WHL006S-00 is 69.8kg.



铰链式充气气密门 Hinged Gastight Door

262WHL061-00

参照 CB/T 3722-1995



类型 TYPE	名称 DESCRIPTION	开启方向 OPENING DIRECTION	门板材料 MATERIAL OF DOOR	气密性能 GASTIGHT PERFORMANCE (压力差维持值) (PRESSURE DIFFERENCE)
A	铰链式充气密封条密封气密门 HINGED GASTIGHT DOOR WITH INFLATABLE GASKET SEALING	左开 L	不锈钢 SUS	500 pa
B	滑动式机械压夹密封气密门 SLIDING GASTIGHT DOOR WITH MECHANICAL TIGHTENING SEALING	右开 R	铝合金 AL	0

mm

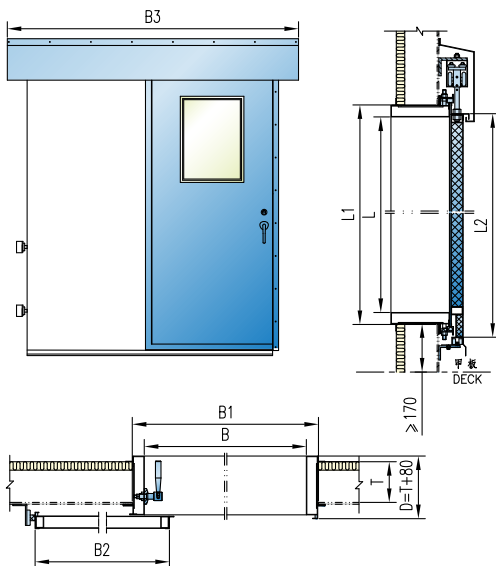
类型 TYPE	通孔尺寸 CLEAR SIZE LXBXR	围壁开孔尺寸 CUT OPENING SIZE L1XB1XR1	门扇外形尺寸 DOOR PANEL SIZE L2XB2XR2	门框外形尺寸 DOOR FRAME SIZE L3XB3XR3
A	1600X600XR100	1685X685XR142	1650X650XR125	1800X800XR200
	1700X700XR100	1785X785XR142	1750X750XR125	1900X900XR200
	1700X750XR100	1785X835XR142	1750X800XR125	1900X950XR200
	1750X750XR100	1835X835XR142	1800X800XR125	1950X950XR200
	1800X800XR100	1885X885XR142	1850X850XR125	2000X1000XR200

注：通孔尺寸为1700X750mm，型号为A型的右开式铰链式充气气密门参考重量为56kg。

The reference weight for AR 1700X750L 262WHL061-00 is 56kg.

气密驾驶室移门 Wheelhouse Gastight Sliding Door

262WHL001S-00



mm

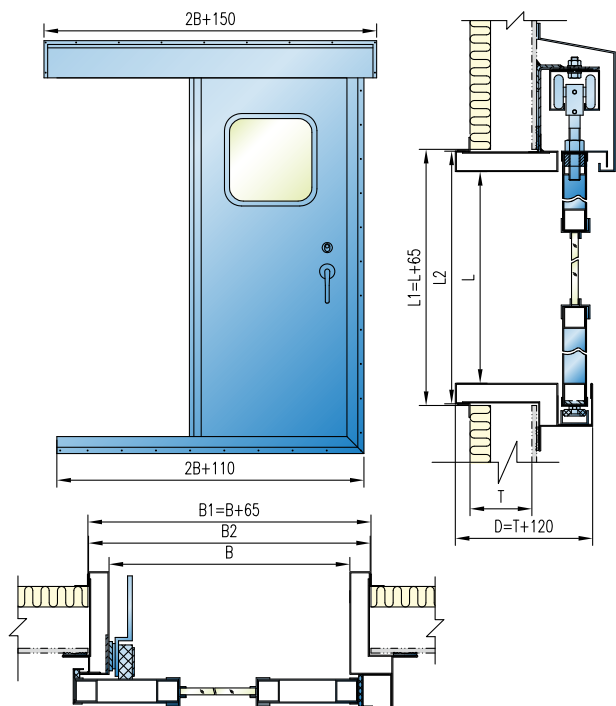
类型 TYPE	通孔尺寸 CLEAR SIZE LXB	围壁开孔尺寸 WALL CUT OPENING L1XB1	门扇外形尺寸 DOOR PANEL SIZE L2XB2	滑轨长度 RAIL LENGTH B3
B	1700X750	1785X835	1850X830	1950
	1700X900	1785X985	1850X980	2100
	1800X750	1885X835	1950X830	1950
	1800X900	1885X985	1950X980	2100
	1800X1000	1885X1085	1950X1080	2200

注：通孔尺寸为1700X750mm，门框深度为100mm，型号为B型的左移式气密驾驶室移门参考重量为153kg。

The reference weight for BL 1700X750N D100 262WHL001S-00 is 153kg.

整体式驾驶室移门 Integrated Wheelhouse Sliding Door

262WHL008A-00



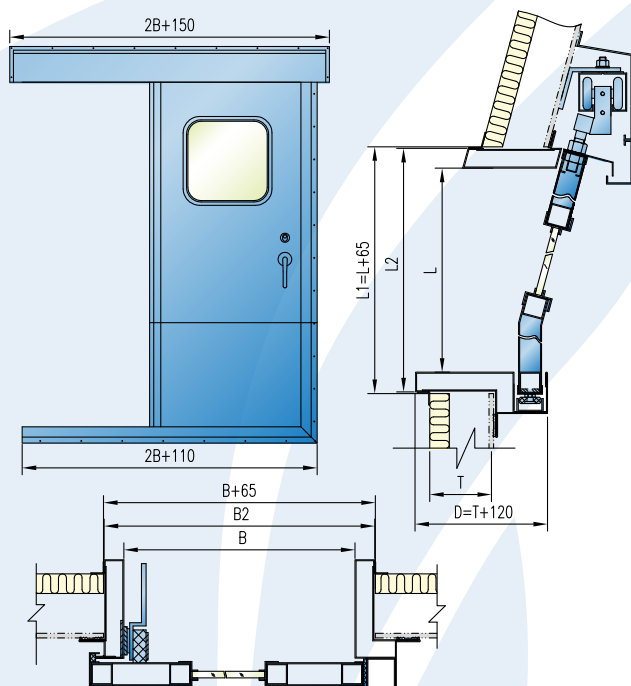
通孔尺寸 CLEAR SIZE LXB	围壁开孔尺寸 WALL CUT OPENING SIZE L1XB1	门框外形尺寸 DOOR FRAME SIZE L2XB2	mm 移向 SLIDING
1700X750	1765X815	1760X810	左移 L
1700X900	1765X965	1760X960	
1800X900	1865X965	1860X960	右移 R
1800X1000	2865X1065	1860X1060	

注：通孔尺寸为1700X900 D为90的右移式整体式驾驶室移门
参考重量为130kg。

The reference weight for 1700X900N D90-R
262WHL008A-00 is 130kg.

整体式驾驶室弯曲移门 Integrated Wheelhouse Curved Sliding Door

262WHL008B-00



通孔尺寸 CLEAR SIZE LXB	围壁开孔尺寸 WALL CUT OPENING SIZE L1XB1	门框外形尺寸 DOOR FRAME SIZE L2XB2	mm 移向 SLIDING
1700X750	1765X815	1760X810	左移 L
1700X900	1765X965	1760X960	
1800X900	1865X965	1860X960	右移 R
1800X1000	1865X1065	1860X1060	

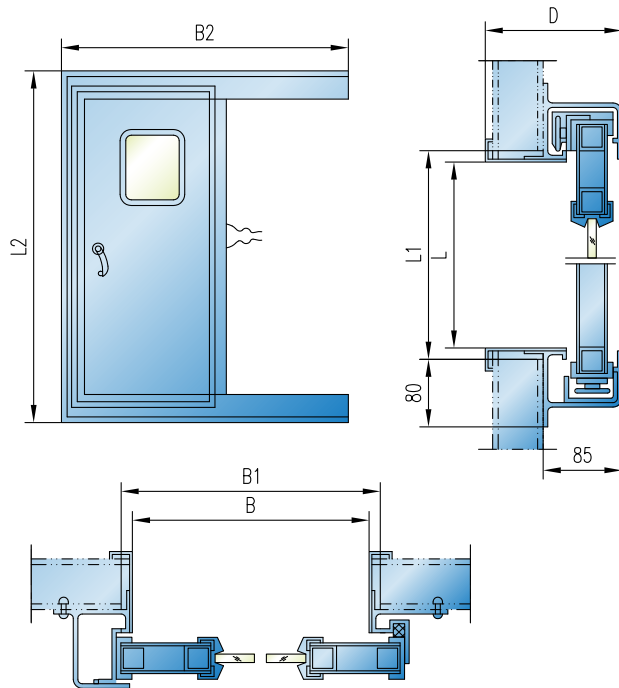
注：通孔尺寸为1700X900 D为90的右移式整体式驾驶室弯曲
移门参考重量为130kg。

The reference weight for 1700X900N D90-R
262WHL008B-00 is 145kg.



铝质驾驶室移门 Aluminium Alloy Sliding Door for Wheelhouse

262WHL056-00



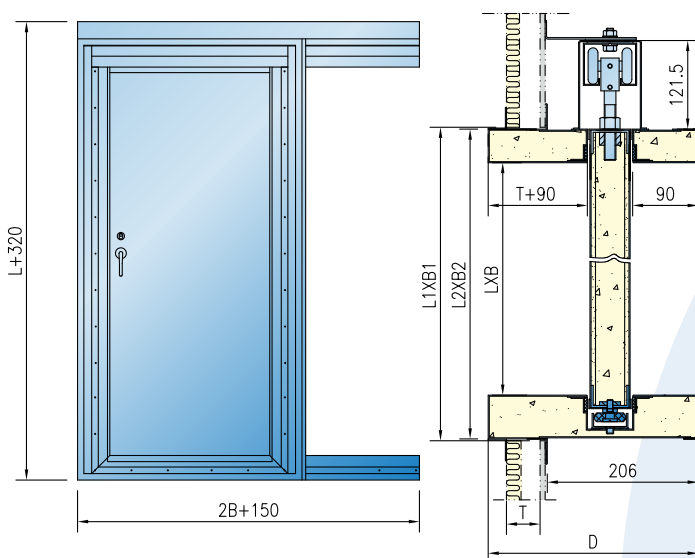
通孔尺寸 CLEAR SIZE LXB	围壁开孔尺寸 WALL CUT OPENING SIZE L1XB1	门框外形尺寸 DOOR FRAME SIZE L2XB2	mm 移向 SLIDING
1700X750	1715X765	1875X1530	左移 L
1700X900	1715X915	1875X1830	
1800X900	1815X915	1975X1830	右移 R
1800X1000	1815X1015	1975X2030	

注：通孔尺寸为1700X900的右移式铝质驾驶室移门参考重量为60kg。

The reference weight for 1700X900L D90-R 262WHL056-00 is 60kg.

A60 防火移门 A60 Fire-proof Sliding Door

262WHL008F-00



通孔尺寸 CLEAR SIZE LXB	围壁开孔尺寸 WALL CUT OPENING SIZE L1XB1	门框外形尺寸 DOOR FRAME SIZE L2XB2	mm 移向 SLIDING
1700X700	1825X825	1820X820	左移 L
1750X750	1875X875	1870X870	
1800X800	1925X925	1920X920	右移 R
2075X1875	2200X2000	2195X1995	

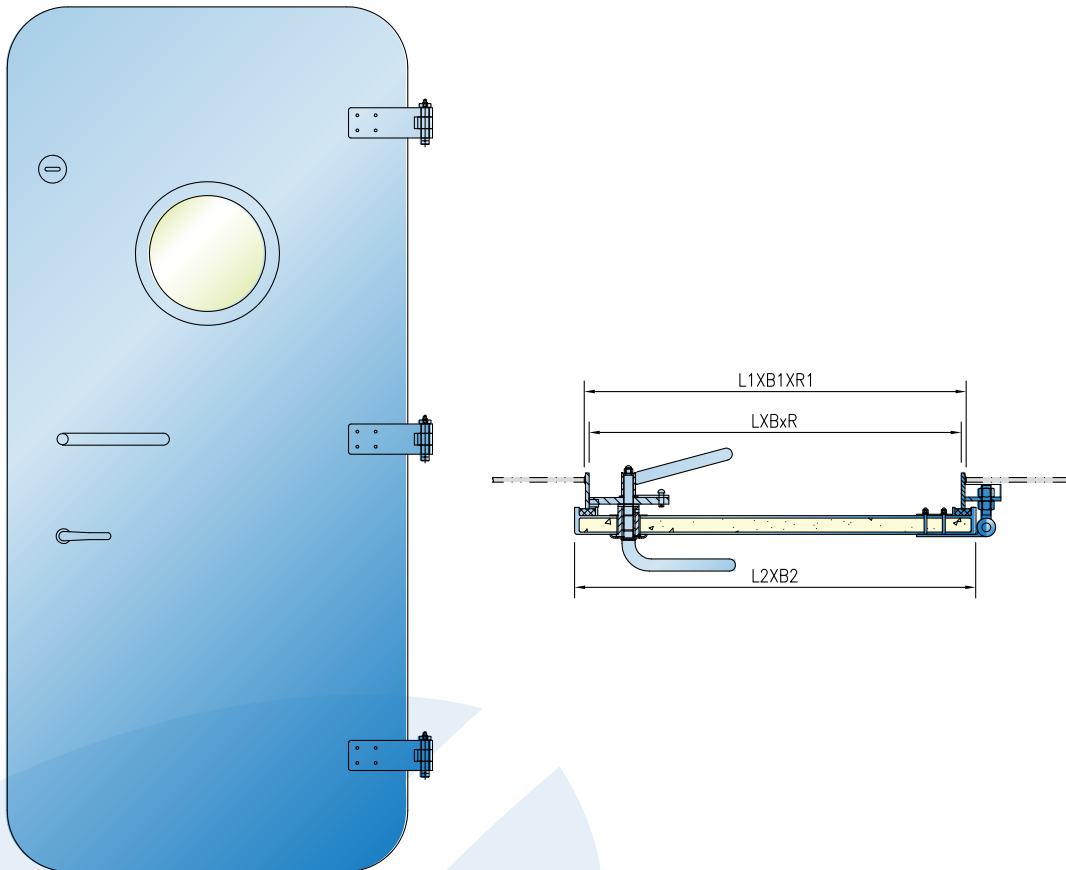
注：通孔尺寸为1700X700，D为350的右移A60防火移门参考重量为170kg。

The reference weight for A60 1700X700 D350-R 262WHL008F-00 is 170kg.

玻璃钢风雨密门 Grp Weathertight Door

本产品采用玻璃钢门页，钢质或不锈钢门框，防风雨性能好，适用于上层建筑外门。

THE PRODUCT CONSISTS OF GRP DOOR LEAF, STEEL OR STAINLESS STEEL DOOR FRAME, WITH GOOD WEATHERTIGHTNESS, IT CAN BE USED FOR OUTSIDE DOOR OF SUPERSTRUCTURE.



mm

通孔尺寸 CLEAR SIZE LXBXR	围壁开孔尺寸 SIZE OF OPENING L1XB1XR1	外形尺寸 OUTLINE SIZE L2XB2	开向 OPENING DIRECTION	选择项 OPTION
1650X600XR100	1670X620XR110	1713X663	右外 RO 左外 LO	圆窗 PORT HOLE
1700X700XR100	1720X720XR110	1763X763		闭门器 DOOR CLOSER
1750X750XR100	1770X770XR110	1813X813		定门器 DOOR STOPPER
1800X800XR100	1820X820XR110	1863X863		

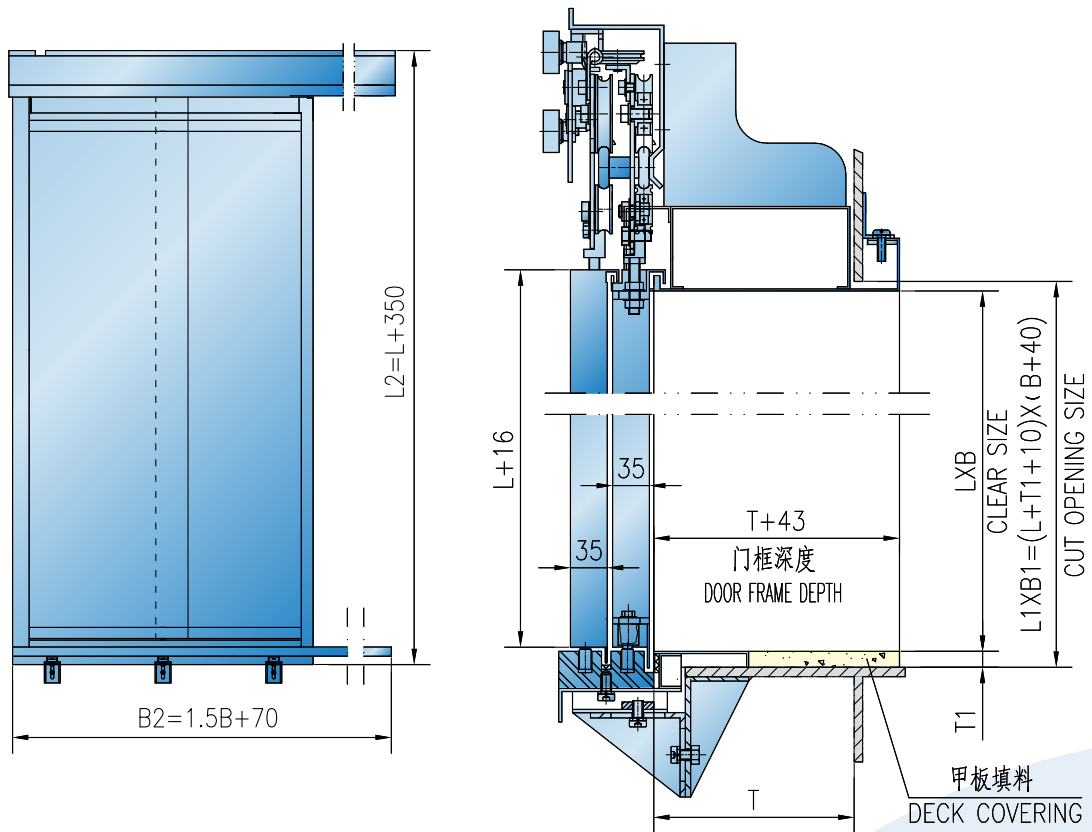
注：通孔尺寸为1700X700的玻璃钢风雨密门，（右开式）参考重量为100kg。

The reference weight for 1700X700-RO 262WHL045-00 is 100kg.



A0 电梯层门 (旁开双折) A0 Landing Door for Elevator (Two Panels Side)

262WHL071-00



mm

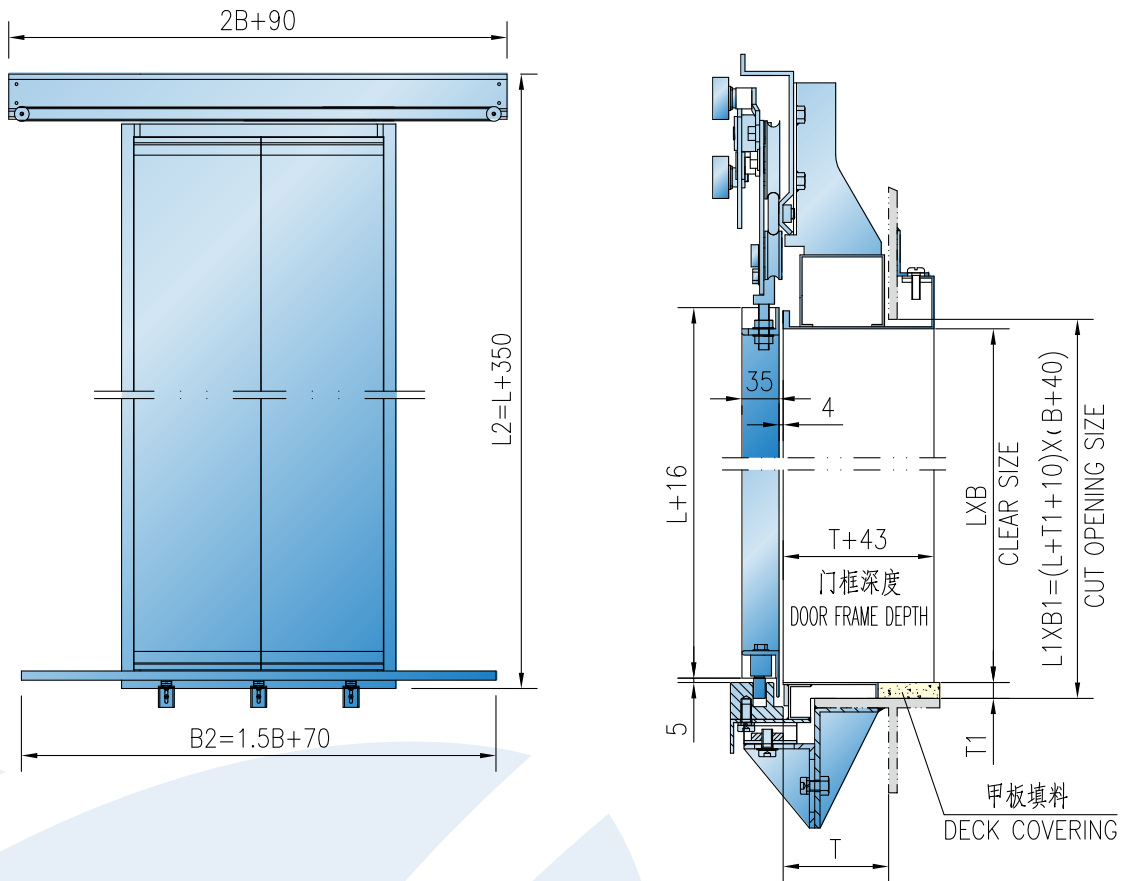
通孔尺寸 CLEAR SIZE LXB	外形尺寸 OVERALL DIMENSIONS L2XB2
1600X650	1950X1045
1700X900	2050X1420
2000X1000	2350X1570
2300X1800	2650X2770

注：通孔尺寸为2000X1000 T为190的左开式A0电梯层门 (旁开双折) 参考重量为80kg。

The reference weight for A0-2000X1000 D190 262WHL071-00 is 80kg.

○ A0 电梯层门 (中分)
A0 Landing Door for Elevator (Centre)

262WHL072-00



mm

通孔尺寸 CLEAR SIZE LXB	外形尺寸 OVERALL DIMENSIONS L2XB2
1600X650	1950X1045
1700X900	2050X1420
2000X1000	2350X1570
2300X1800	2650X2770

注：通孔尺寸为2000X1000 T为100的A0电梯层门（中分）参考重量为90kg。

The reference weight for A0-2000X1000 D100 262WHL072-00 is 90kg.



船用舷窗 Side Scuttles for Ships

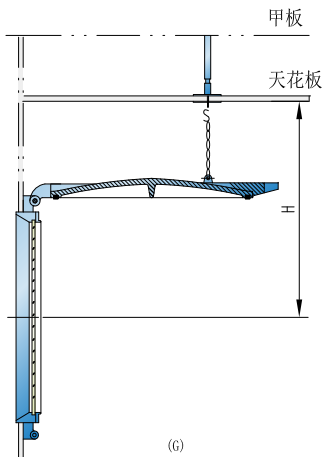
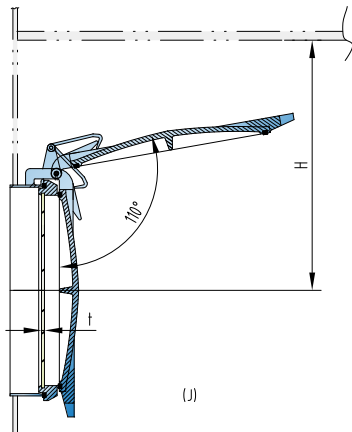
GB/T 14413-2008

适用于海洋船舶和舰艇也可用于内河船舶。

USED FOR SEA-GOING SHIP AND WARSHIP, ALSO COULD BE USED FOR INLAND SHIP.

mm

名称 NAME	形式 TYPE	透光 尺寸 SIZE OF CLEAR D	开启方式 OPENING		安装 方式 INSTALL TYPE	材料组合代号 MATERIAL CODE		风暴盖开启 固定方式 DEADLIGHT RETAINING METHOD	玻璃 GLASS	适用范围 APPLICATION SCOPE
			开式 OPENING	固定式 FIXED		螺栓式 BOLTED	焊接式 WELDED			
开启方式 HEAVY	A	φ 200 φ 250 φ 300 φ 350 φ 400	左开式 (L) 右开式 (R)	固定式 FIXED (N)	螺栓安装 BOLTED (B)	112 212	222	挂钩式 HOOK TYPE (G)	透明 TRANSP ARENT (Y1)	海船舱壁甲板或干舷甲板以下, 满载 水线以上允许舷侧开口部位, 且要求 水密和气密处所。
开启方式 MEDIUM	B	φ 200 φ 250 φ 300 φ 350 φ 400 φ 450	共铰链 式 (S)		焊接安装 WELDED (W)	112 222 333	222 333	棘爪式 PAW TYPE (J)		磨砂 FROSTED (Y2)
开启方式 LIGHT	C	φ 200 φ 250 φ 300 φ 350 φ 400 φ 450	左开式 (L) 右开式 (R)			220 330 110	210 220 230		客船舱壁甲板或干舷甲板以上第一层 和以上各层上层建筑的侧面和后端部, 非客船干舷甲板以上第一层上层建筑 以上围壁侧面和后端部。	



材料组合代号

MATERIAL CODE

mm

类型 TYPE	安装方式 INSTALL TYPE	材料 MATERIAL			材料组合 MATERIAL CODE
		主窗框 MAIN FRAME	窗扇框和玻璃压紧环 GLASS HOLDER AND RETAINER	风暴盖 DEADLIGHT	
A	螺栓式 BOLTED	铜 BRASS (1)	铜 BRASS (1)	钢 STEEL (2)	112
	焊接式 WELDED	钢 STEEL (2)	铜 BRASS (1)	钢 STEEL (2)	212
		钢 STEEL (2)	钢 STEEL (2)	钢 STEEL (2)	222
B	螺栓式 BOLTED	铜 BRASS (1)	铜 BRASS (1)	钢 STEEL (2)	112
		钢 STEEL (2)	钢 STEEL (2)	钢 STEEL (2)	222
	焊接式 WELDED	铝 ALUMNIUM (3)	铝 ALUMNIUM (3)	铝 ALUMNIUM (3)	333
		钢 STEEL (2)	铜 BRASS (1)	钢 STEEL (2)	212
		钢 STEEL (2)	钢 STEEL (2)	钢 STEEL (2)	222
		钢 STEEL (2)	铝 ALUMNIUM (3)	铝 ALUMNIUM (3)	233
C	螺栓式 BOLTED	钢 STEEL (2)	钢 STEEL (2)	—	220
		铝 ALUMNIUM (3)	铝 ALUMNIUM (3)	—	330
		钢 STEEL (2)	铜 BRASS (1)	—	110
	焊接式 WELDED	钢 STEEL (2)	铜 BRASS (1)	—	210
		钢 STEEL (2)	钢 STEEL (2)	—	220
		钢 STEEL (2)	铝 ALUMNIUM (3)	—	230

mm

透光尺寸 CLEAR LIGHT SIZE D	φ 200 φ 250 φ 300 φ 350 φ 400 φ 450						
舷窗中心与天花板最小距离 MIN. DISTANCE FROM CENTER OF SIDE SCUTTLE TO CEILING H	棘爪式 PAW (J)	φ 350	φ 400	φ 450	φ 500	φ 540	φ 580
	挂钩式 HOOK (G)	选用者自定 BY DESIGNER					



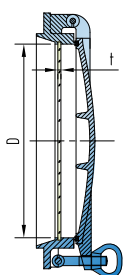
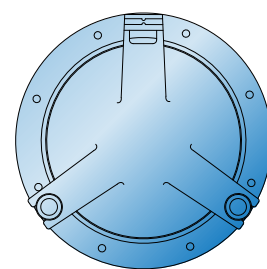
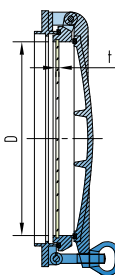
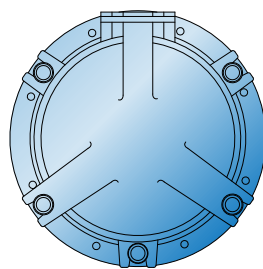
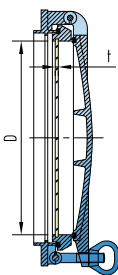
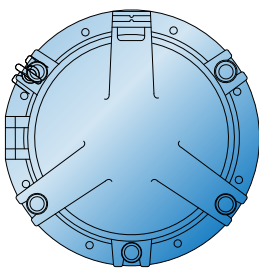
船用舷窗 Side Scuttles for Ships

GB/T 14413-2008

A型 - LB(RB)式
TYPE A - LB(RB)

A型 - SB式
TYPE A - SB

A型 - NB式
TYPE A - NB



mm

类型 TYPE	公称尺寸 NOMINAL SIZE D	t	紧固件数量 QTY. OF FASTENER		围壁开口 SIZE OF WALL CUT	
			风暴盖 DEADLIGHT	窗扇框 GLASS HOLDER		
A	LB	φ 200	10	2	3	φ 253
	RB	φ 250	12	2	3	φ 308
	SB	φ 300	15	3	3	φ 363
		φ 350	15	3	3	φ 413
	NB	φ 400	19	3	3	φ 463

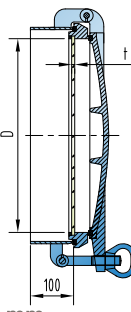
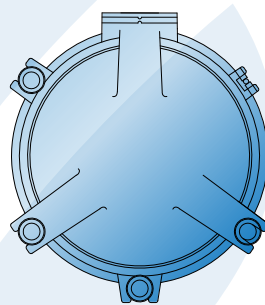
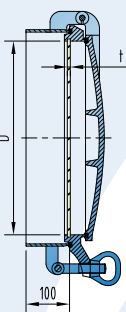
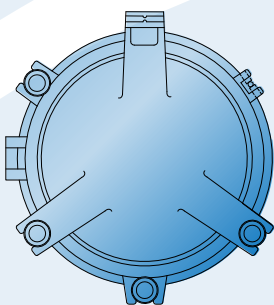
注：型号N-A300-LR-111J-Y1的窗，
其参考重量为54kg。

THE REFERENCE WEIGHT FOR
N-A300-LR-111J-Y1 IS 54KG.

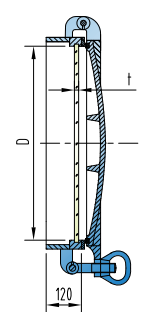
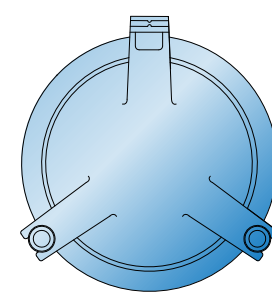
A型 - LW(RW) 式
TYPE A - LW(RW)

A型 - SW式
TYPE A - SW

A型 - NW式
TYPE A - NW



mm



类型 TYPE	公称尺寸 NOMINAL SIZE D	t	紧固件数量 QTY. OF FASTENER		围壁开口 SIZE OF WALL CUT	
			风暴盖 DEADLIGHT	窗扇框 GLASS HOLDER		
A	LW	φ 200	10	2	3	φ 253
	RW	φ 250	12	2	3	φ 308
	SW	φ 300	15	3	3	φ 363
		φ 350	15	3	3	φ 413
	NW	φ 400	19	3	3	φ 463

注：型号N-A300-SW-211J-Y1的窗，
其参考重量为43kg。

THE REFERENCE WEIGHT FOR
N-A300-SW-211J-Y1 IS 43KG.



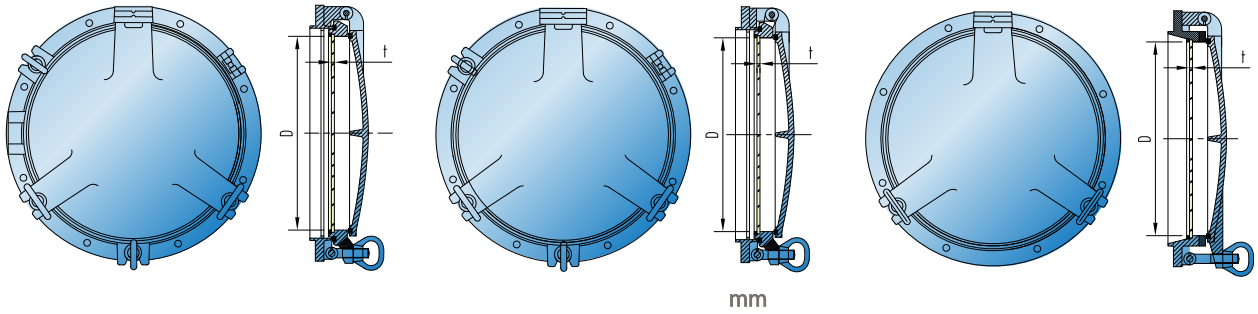
船用舷窗 Side Scuttles for Ships

GB/T 14413-2008

B型 - LB(RB)式
TYPE B - LB(RB)

B型 - SB式
TYPE B - SB

B型 - NB式
TYPE B - NB



mm

类型 TYPE	公称尺寸 NOMINAL SIZE D	t	紧固件数量 QTY. OF FASTENER		围壁开口 SIZE OF WALL CUT	
			风暴盖 DEADLIGHT	窗扇框 GLASS HOLDER		
B	LB	φ 200	8	2	3	φ 253
	RB	φ 250	8	2	3	φ 308
	SB	φ 300	10	3	3	φ 363
	NB	φ 350	10	3	3	φ 413
	(无窗扇框)	φ 400	12	3	3	φ 463
		φ 450	15	3	4	φ 513

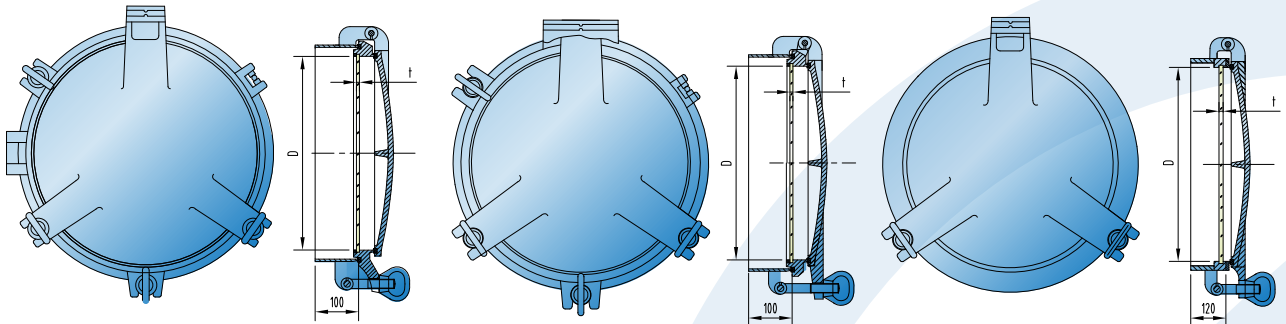
注：型号N-B300-LR-333J-Y1的船用舷窗，
其参考重量为23kg。

THE REFERENCE WEIGHT FOR
N-B300-LR-333J-Y1 IS 23KG.

B型 - LW(RW) 式
TYPE B - LW(RW)

B型 - SW式
TYPE B - SW

B型 - NW式
TYPE B - NW



mm

类型 TYPE	公称尺寸 NOMINAL SIZE D	t	紧固件数量 QTY. OF FASTENER		围壁开口 SIZE OF WALL CUT	
			风暴盖 DEADLIGHT	窗扇框 GLASS HOLDER		
B	LW	φ 200	8	2	3	φ 253
	RW	φ 250	8	2	3	φ 308
	SW	φ 300	10	3	3	φ 363
	NW	φ 350	10	3	3	φ 413
	(无窗扇框)	φ 400	12	3	3	φ 463
		φ 450	15	3	4	φ 513

注：型号N-B300-SW-211J-Y1的船用舷窗，
其参考重量为40kg。

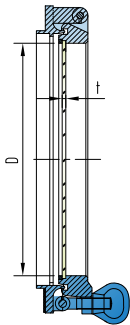
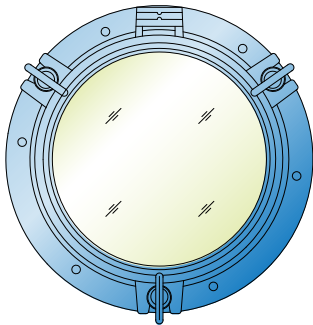
THE REFERENCE WEIGHT FOR
N-B300-SW-211J-Y1 IS 40KG.



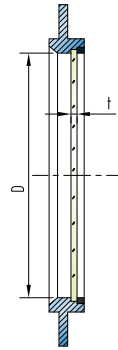
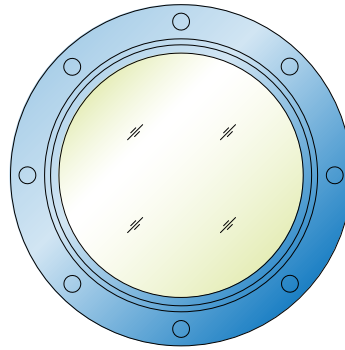
船用舷窗 Side Scuttles for Ships

GB/T 14413-2008

C型 - LB(RB)式
TYPE C - LB(RB)



C型 - NB式
TYPE C - NB



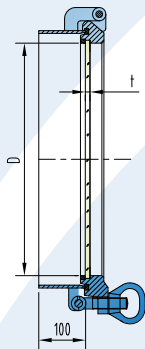
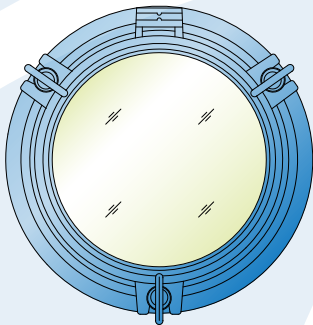
mm

类型 TYPE	公称尺寸 NOMINAL SIZE D	t	紧固件数量 QTY. OF FASTENER		围壁开口 SIZE OF WALL CUT
			风暴盖 DEADLIGHT	窗扇框 GLASS HOLDER	
C	LB	φ 200	—	3	φ 253
		φ 250	—	3	φ 308
	RB	φ 300	—	3	φ 363
		NB (无窗扇框)	φ 350	—	3
	φ 400		—	3	φ 463
φ 450	—	4	φ 513		

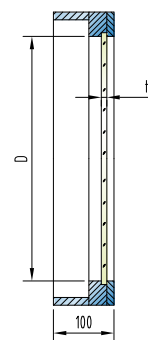
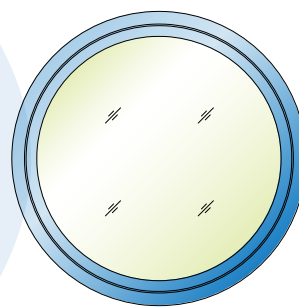
注：型号N-C300-LRB-330-Y1的船用舷窗，
其参考重量为15kg。

THE REFERENCE WEIGHT FOR
N-C300-LRB-330-Y1 IS 15KG.

C型 - LW(RW) 式
TYPE C - LW(RW)



C型 - NW式
TYPE C - NW



mm

类型 TYPE	公称尺寸 NOMINAL SIZE D	t	紧固件数量 QTY. OF FASTENER		围壁开口 SIZE OF WALL CUT
			风暴盖 DEADLIGHT	窗扇框 GLASS HOLDER	
C	LW	φ 200	—	3	φ 253
		φ 250	—	3	φ 308
	RW	φ 300	—	3	φ 363
		NW (无窗扇框)	φ 350	—	3
	φ 400		—	3	φ 463
φ 450	—	4	φ 513		

注：型号N-C300-LRW-210-Y1的船用舷窗，
其参考重量为25kg。

THE REFERENCE WEIGHT FOR
N-C300-LRW-210-Y1 IS 25KG.



船用普通矩形窗 Marine Ordinary Rectangular Window

GB/T 5746-2014

适用于船舶干舷甲板以上的上层建筑及甲板室的矩形窗，满足ISO 3903:1993。

USED FOR THE RECTANGULAR WINDOW OF SUPERSTRUCTURE ABOVE FREEBOARD DECK AND DECK HOUSE.
IT MEETS ISO 3903:1993.

1. 系列 SERIES

N	一般系列 COMMON SERIES	是通常采用装有钢化安全玻璃的矩形窗 WITH NORMAL SAFETY GLASS
P	耐火系列 FIREPROOF SERIES	是安装于"A"或"B"级耐火分隔区域的矩形窗 FOR A OR B CLASS FIRE DIVISION
H	加热系列 HEATING SERIES	是装有电加热玻璃的矩形窗 WITH HEATING IN GLASS

2. 类型 TYPE

E	重型矩形窗 HEAVY
F	轻型矩形窗 LIGHT

3. 公称尺寸代号 DIMENSION

代号 CODE	公称尺寸 NOMINAL SIZE WXH	示图 ILLUSTRATION
1	300x425	
2	355x500	
3	400x560	
4	450x630	
5	500x710	
6	560x800	
7	900x630	
8	1000x710	
9	1100x800	

4. 型式特征 TYPE FEATURE

开启方式 OPENING TYPE	开启方向 OPEN DIR.		安装方式 INSTALLATION METHOD		开向 OPEN DIR.	适用代号 (公称尺寸) APPLICABLE CODE		
			螺栓式 BOLTED	焊接式 WELDED		E	F	
开式 OPENING	内开 INWARD (I)	侧铰链 SIDE HINGED	左开 LEFT (L)	B	W	ILB	1~6	1~6
			右开 RIGHT (R)	-	-	ILW		
		上铰链 TOP HINGED	左开 LEFT (L)	B	W	IRB		
			右开 RIGHT (R)	-	-	IRW		
	外开 OUTWARD (O)	侧铰链 SIDE HINGED	左开 LEFT (L)	B	W	ITB	4~8	4~9
			右开 RIGHT (R)	-	-	ITW		
		上铰链 TOP HINGED	左开 LEFT (L)	B	W	OLB		
			右开 RIGHT (R)	-	-	OLW		
闭式 FIXED			左开 LEFT (L)	B	W	ORB	1~6	1~6
			右开 RIGHT (R)	-	-	ORW		
		上铰链 TOP HINGED		B	W	OTB	4~8	4~9
				-	-	OTW		
				B	W	NOB	1~8	1~9
				-	-	NOW		



船用普通矩形窗 Marine Ordinary Rectangular Window

GB/T 5746-2014

5. 玻璃厚度 GLASS THICKNESS

矩形窗 RECTANGULAR WINDOW		透光玻璃厚度Y1, 括号内为磨砂玻璃厚度(Y2) GLASS THICKNESS IS Y1, THE VALUE IN BRACKET IS FOR FROSTED GLASS																	
系列 SERIES	类型 TYPE	窗公称尺寸代号 CODE FOR NOMINAL DIMENSION																	
		1	2	3	4	5	6	7	8	9	10	11	12	13	14	15			
N	E	10	(15)	10	(15)	12	(19)	12	(19)	15	-	15	-	19	-	19	-	-	-
	F	8	(12)	8	(12)	8	(12)	8	(12)	10	(15)	10	(15)	12	(19)	12	(19)	15	-
P	E	见GB/T 17434 SEE GB/T 17434																	
	F	见GB/T 17434 SEE GB/T 17434																	
H	E	见ISO 3434 SEE ISO 3434																	
	F	见ISO 3434 SEE ISO 3434																	

6. 凸肩高度 HEIGHT OF SPIGOT

螺栓式 BOLTED TYPE	开式 OPENING		焊接式 WELDED TYPE	开式 OPENING		实际高度 ACTUAL HEIGHT
	闭式 FIXED			闭式 FIXED		凸肩实际高度可在矩形窗 定货时确定 THE ACTUAL HEIGHT COULD BE DECIDED UPON ORDER

7. 材料代号 MATERIAL CODE

材料代号 MATERIAL CODE	材料 MATERIAL
1	铜材 BRASS
2	钢材 STEEL
3	铝材 ALUMINIUM
4	不锈钢 STEELLESS STEEL
0	无 NONE

8. 材料组合代号 MATERIAL CODE

类型 TYPE	安装方式 INSTALL TYPE	材料 MATERIAL			材料组合代号 MATERIAL CODE
		主窗框 MAIN FRAME	窗扇框 GLASS HOLDER	玻璃压板 GLASS RETAINER	
开式 OPEN	螺栓式 BOLTED	铜 BRASS (1)	铜 BRASS (1)	铜 BRASS (1)	11
		钢 STEEL (2)	钢 STEEL (2)	钢 STEEL (2)	222
		铝 ALUMINIUM (3)	铝 ALUMINIUM (3)	铝 ALUMINIUM (3)	333
	焊接式 WELDED	钢 STEEL (2)	铜 BRASS (1)	铜 BRASS (1)	11
		钢 STEEL (2)	钢 STEEL (2)	铜 BRASS (1)	221
		钢 STEEL (2)	钢 STEEL (2)	钢 STEEL (2)	222
闭式 FIXED	螺栓式 BOLTED	铜 BRASS (1)	无 NO (0)	铜 BRASS (1)	101
		钢 STEEL (2)	无 NO (0)	钢 STEEL (2)	202
		铝 ALUMINIUM (3)	无 NO (0)	铝 ALUMINIUM (3)	303
	焊接式 WELDED	钢 STEEL (2)	无 NO (0)	铜 BRASS (1)	201
		钢 STEEL (2)	无 NO (0)	钢 STEEL (2)	202
		钢 STEEL (2)	无 NO (0)	铝 ALUMINIUM (3)	203
铝 ALUMINIUM (3)	无 NO (0)	铝 ALUMINIUM (3)	303		

船用普通矩形窗 Marine Ordinary Rectangular Window

GB/T 5746-2014

7. 加热系列矩形窗的玻璃代号

HEATING SERIES GLASS CODE FOR REC. WINDOW

电源 (电制) POWER SUPPLY			过热保护装置 OVERHEATING PROTECTION	最小功率负载 (W/dm ²)			
电源 POWER SUPPLY	电压 VOLTAGE V	频率 FREQUENCY Hz		7	12	17	
				代号 CODE			
交流单相 DIRECT CURRENT DC	24	-	G	7G01	12G01	17G01	
			S	7S01	12S01	17S01	
	110	-	G	7G02	12G02	17G02	
			S	7S02	12S02	17S02	
	220	-	G	7G03	12G03	17G03	
			S	7S03	12S03	17S03	
交流三相 ALTERNATING CURRENT SINGLE PHASE AC/1P	115	50	G	7G11	12G11	17G11	
			S	7S11	12S11	17S11	
		60	G	7G12	12G12	17G12	
			S	7S12	12S12	17S12	
	220	50	G	7G13	12G13	17G13	
			S	7S13	12S13	17S13	
		60	G	7G14	12G14	17G14	
			S	7S14	12S14	17S14	
	围壁开口 ALTERNATING CURRENT THREE PHASES AC/3P	115	50	G	7G31	12G31	17G31
				S	7S31	12S31	17S31
			60	G	7G32	12G32	17G32
				S	7S32	12S32	17S32
220		50	G	7G33	12G33	17G33	
			S	7S33	12S33	17S33	
		60	G	7G34	12G34	17G34	
			S	7S34	12S34	17S34	
220/380		50	G	7G35	12G35	17G35	
			S	7S35	12S35	17S35	
		60	G	7G36	12G36	17G36	
			S	7S36	12S36	17S36	
440	50	G	7G37	12G37	17G37		
		S	7S37	12S37	17S37		
	60	G	7G38	12G38	17G38		
		S	7S38	12S38	17S38		

注: 1. G 表示按组调整, S 表示单件调整, 见 ISO 3434 : 1992 的 5.4.

"G" STANDS FOR ADJUST BY GROUP, "S" STANDS FOR ADJUST ONE PIECE.

2. 在近地极区域航行需要较大的电荷载荷时, 应同窗的制造商或加热玻璃的生产厂进行磋商。

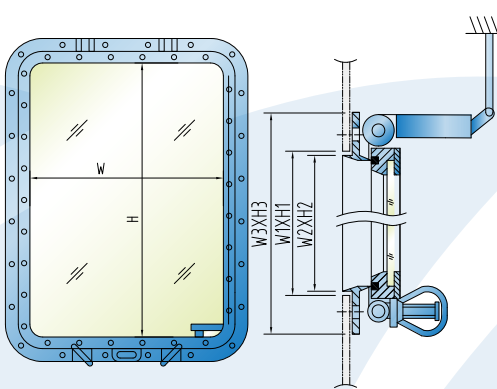
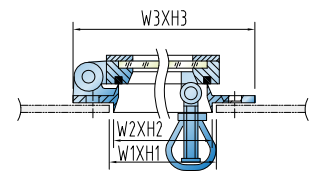
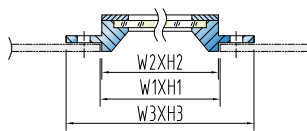
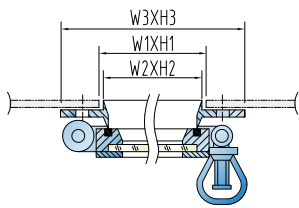
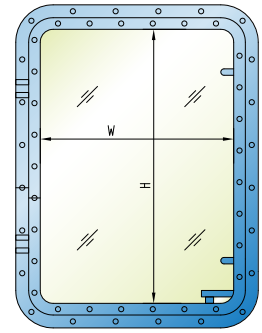
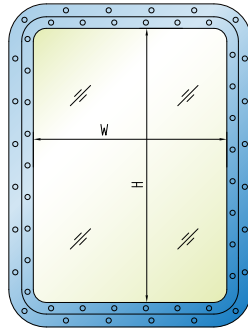
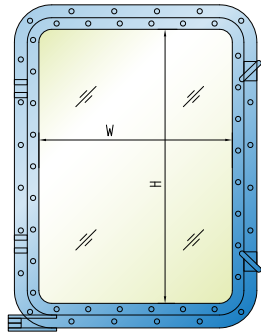
WHEN THE VESSEL TRAVELS NEAR THE POLAR AREA IN NEED OF LARGE ELECTRIC LOAD, PLEASE CONTACT WITH THE MANUFACTURER OF WINDOW OR GLASS.



船用普通矩形窗 Marine Ordinary Rectangular Window

GB/T 5746-2014

10. 螺栓式矩形窗 BOLTED RECTANGULAR WINDOW



系列 SERIES	类型 TYPE	代号 CODE	公称尺寸 NOMINAL SIZE		围壁开孔 OPENING SIZE		窗座 WINDOW SEAT		开向 OPENING DIR.
			WXH	W1XH1	r	W2XH2	W3XH3		
N	E	1	300X425	352X477	76	348X473	424X549	ILB IRB ITB	
		2	355X500	407X552	76	403X548	479X624		
		3	400X560	452X612	76	448X608	524X684		
P	F	4	450X630	502X682	126	498X678	574X754	OLB ORB	
		5	500X710	552X762	126	548X758	624X834		
H	F	6	560X800	612X852	126	608X848	684X924	OTB NOB	
		7	900X630	952X682	126	948X678	1024X754		
		8	1000X710	1052X762	126	1048X758	1124X834		
		9	1100X800	1152X852	126	1148X848	1224X924		

说明：一般系列螺栓式矩形窗(N)

一般系列(N)，重型(E)，公称尺寸450X630(代号4)，凸肩高度16mm，侧铰链左内开螺栓式 ILB，材料组合为111，透光玻璃(Y1)的矩形窗。

RECTANGLE WINDOW OF COMMON SERIES(N), HEAVY TYPE(E), NOMINAL SIZE 450X630(CODE 4), SPIGOT HEIGHT 16MM, SIDE HINGED LEFT INWARD OPENING BOLTED TYPE ILB, MATERIAL CODE 111, TRANSPARENT WINDOW (Y1).

标志为/LABELED AS : N-E4X16-ILB-111-Y1 GB/T 5746-2014

注：型号E4X16-ILB-333-Y1的窗，其参考重量为25kg。

THE REFERENCE WEIGHT FOR E4X16-ILB-333-Y1 GB/T 5746-2014 IS 25KG.

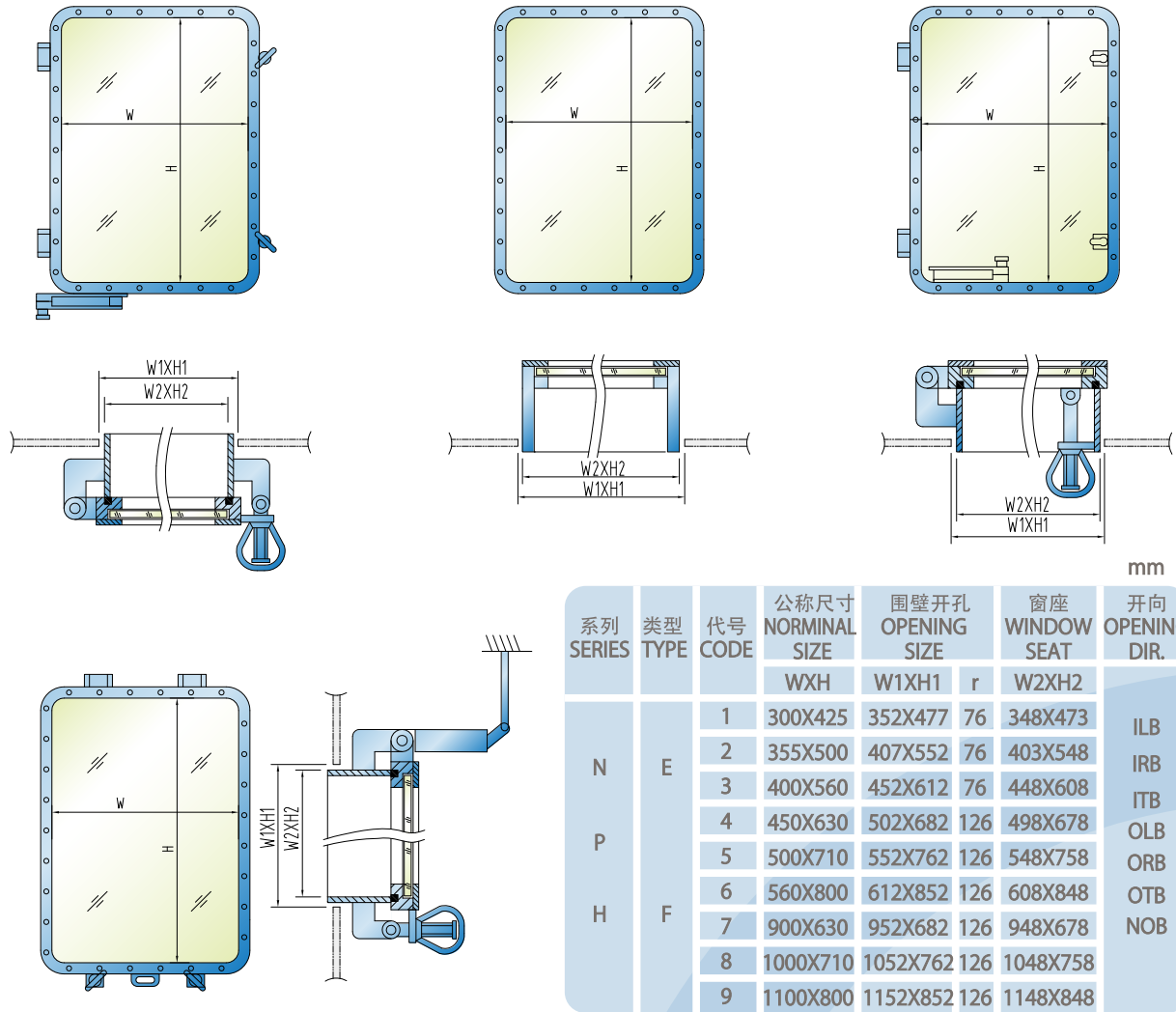


船用普通矩形窗 Marine Ordinary Rectangular Window

GB/T 5746-2014

11. 焊接式矩形窗

WELDED RECTANGULAR WINDOW



说明：一般系列焊接式矩形窗(N)

一般系列(N)，轻型(F)，公称尺寸450X560(代号3)，凸肩高度30mm，上铰链外上开焊接式OTW，材料组合为211，磨砂玻璃(Y2)的矩形窗。

RECTANGLE WINDOW OF COMMON SERIES(N), LIGHT TYPE(F), NOMINAL SIZE 450X560(CODE 3), SPIGOT HEIGHT 16MM, TOP HINGED OUTWARD WELDED TYPE OTW, MATERIAL CODE 211, FROSTED WINDOW (Y2).

标志为/LABELED AS : N-F3X30-OTW-211-Y2 GB/T 5746-2014

注：型号E4X16-ILW-233-Y1的窗，其参考重量为36kg。

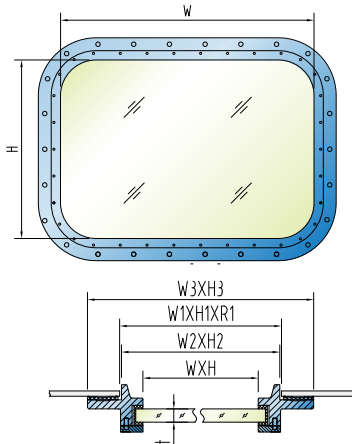
THE REFERENCE WEIGHT FOR E4X16-ILW-233-Y1 GB/T 5746-2014 IS 36KG.



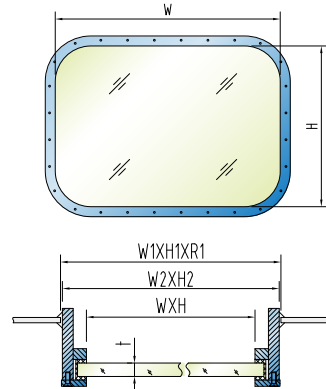
○ 驾驶室固定矩形窗 Fixed Rectangular Window for Wheelhouse

CB/T 3226-1995

螺栓式驾驶式固定矩形窗 261WHL001-00
BOLTED FIXED RECTANGULAR WINDOW
FOR WHEELHOUSE



焊接式驾驶式固定矩形窗 261WHL002-00
WELDED FIXED RECTANGULAR WINDOW
FOR WHEELHOUSE



驾驶室固定矩形窗安装的电加热玻璃应符合ISO 3434的规定，玻璃所需功率负荷及其参数按下表规定

THE HEATING GLASS SHOULD ACCORD TO ISO 3434 WITH
PARAMETERS AS BELOW

窗框形式 FRAME TYPE	名称 DESCRIPTION	窗框材质 FRAME MATERIAL
BH	电加热玻璃螺栓固定式矩形窗 BOLTED, HEATING GLASS	铝合金 ALU. ALLOY
BN	钢化玻璃螺栓固定式矩形窗 BOLTED, TOUGHENED GLASS	铜 BRASS
WH	电加热玻璃焊接式固定矩形窗 WELDED, HEATING GLASS	碳素钢 CARBON STEEL
WN	钢化玻璃焊接式固定矩形窗 WELDED, TOUGHENED GLASS	

电源 POWER			过热保护装置 OVERHEATING PROTECTION	最小功率负载 (W/dm ²)		
电源	电压 V	频率 Hz		7	12	17
直流 DC	24	—	G	7G01	12G01	17G01
			S	7S01	12S01	17S01
	110	—	G	7G02	12G02	17G02
			S	7S02	12S02	17S02
	220	—	G	7G03	12G03	17G03
			S	7S03	12S03	17S03

mm

公称尺寸 NOMINAL DIM.	窗座 WINDOW FRAME		围壁开孔 WALL CUT SIZE		玻璃厚度 GLASS TH.	
WXH	W2XH2	W3XH3	W1XH1	R	BH	BN
800X630	848X678	930X760	852X682	126	12	15
800X710	848X758	930X840	852X762		12	15
900X630	948X678	1030X760	952X682		12	17
900X710	948X758	1030X840	952X762		12	17
900X800	948X848	1030X930	952X852		12	17
1200X630	1248X678	1330X760	1252X682		15	20
1200X710	1248X758	1330X840	1252X762		15	20
1200X800	1248X848	1330X930	1252X852		15	20
1500X710	1548X758	1630X840	1552X762		15	20
1500X800	1548X848	1630X930	1552X852		15	20
1800X710	1848X758	1930X840	1852X762		15	20
1800X800	1848X848	1930X930	1852X852		15	20
1800X900	1848X948	1930X1030	1852X952		15	20

mm

公称尺寸 NOMINAL DIM.	窗座 WINDOW FRAME		围壁开孔 WALL CUT SIZE		玻璃厚度 GLASS TH.	
WXH	W2XH2	W3XH3	W1XH1	R	WH	WN
800X630	848X678	930X760	852X682	126	12	15
800X710	848X758	930X840	852X762		12	15
900X630	948X678	1030X760	952X682		12	17
900X710	948X758	1030X840	952X762		12	17
900X800	948X848	1030X930	952X852		12	17
1200X630	1248X678	1330X760	1252X682		15	20
1200X710	1248X758	1330X840	1252X762		15	20
1200X800	1248X848	1330X930	1252X852		15	20
1500X710	1548X758	1630X840	1552X762		15	20
1500X800	1548X848	1630X930	1552X852		15	20
1800X710	1848X758	1930X840	1852X762		15	20
1800X800	1848X848	1930X930	1852X852		15	20
1800X900	1848X948	1930X1030	1852X952		15	20

注：型号BH-1500X800-12G14的窗，其参考重量为65kg。
THE REFERENCE WEIGHT FOR BH-1500X800-12G14
261WHL001-00 IS 65KG.

注：型号WH-1500X800-12G14的窗，其参考重量为150kg。
THE REFERENCE WEIGHT FOR WH-1500X800-12G14
261WHL002-00 IS 150KG.



○ 驾驶室电加热玻璃温控系统 * Temperature Control System for Heating Glasses in Wheelhouse

类型 TYPE	示意图 SKETCH	简要说明 DESCRIPTION
WK03		浅黄色外壳，输入电压220VAC或110VAC，最大输出电流16A，热敏电阻为MF111-2或TTF-103。出厂前贴在玻璃上，装拆玻璃方便，出厂设定的温度调控范围为36%DC~40%DC。 Light yellow shell, input power 220VAC or 110VAC, Max. output current 16A, sensor –MF111-2 OR TTF103. The controller is pasted on the glass before delivery for convenient mounting and dismantling of glass. The initial temperature range is 36° C~40° C.
WK07		黑色外壳，输入电压220VAC或110VAC，最大输出电流30A，热敏电阻MF111-2或TTF-103，出厂前贴在玻璃上，防护性能好。装拆玻璃方便。能防止玻璃过热烧坏，出厂设定的温度调控范围为36%DC~40%DC。 Black shell, input power 220VAC or 110VAC, Max. output current 30A, sensor MF111-2 OR TTF103. The controller is pasted on the glass before delivery with good protection for convenient mounting and dismantling of glass. Also protect the glass from failure result form overheating. The initial temperature range is 36° C~40° C.
WK08		输入电压220VAC或110VAC，最大输出电流30A，热敏电阻MF111-2或TTF-103，装在驾控台上，出厂设定的温度调控范围为36%DC~40%DC。 Input power 220VAC or 110VAC, Max. output current 30A, sensor MF111-2 OR TTF103. The controller can be mounted on the console. The initial temperature range is 36° C~40° C.
WK10A	 图示为三合一 3-in-1 IN SKETCH	输入电压220VAC或110VAC，最大输出电流30A，热敏电阻PT100。装在驾控台上，仪表显示玻璃的当前温度，可按客户要求将数个温控器单元组合在一起，单独控制各块玻璃，出厂设定的温度调控范围为36%DC~40%DC。 Input power 220VAC or 110VAC, Max. output current 30A, sensor PT100. The controller is mounted on the console, the current temperature of the glass is displayed on the instrument. The temperature controlling units can be integrated and control each glass respectively. The initial temperature range is 36° C~40° C.

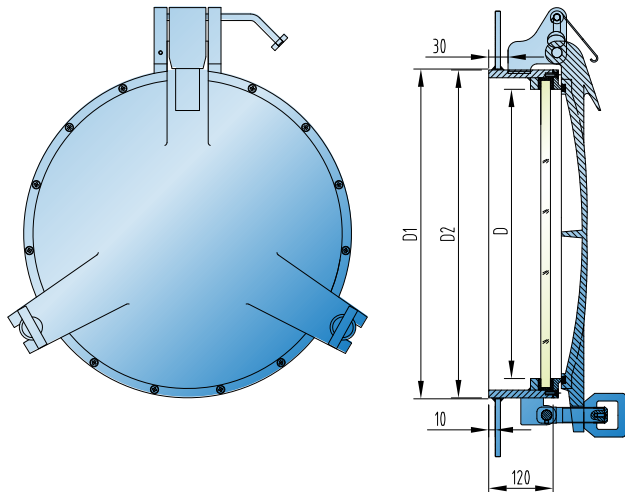
* 驾驶室电加热玻璃温控系统是本公司针对驾驶室电加热窗如何更好的实现加热、调温而单独引进或开发的系统。用户订货时可根据需要选择适宜的温控类型。

THE TEMPERATURE CONTROL SYSTEM FOR HEATING GLASS IN WHEELHOUSE IS DEVELOPED BY OUR COMPANY IN ORDER TO IMPROVE THE HEATING AND TEMPERATURE CONTROL PERFORMANCE OF THE HEATING GLASS. USER CAN CHOOSE APPROPRIATE TYPE UPON ORDER.



A0 级防火舷窗 A0 Class Fireproof Side Scuttle

261WHL065-00
261WHL506-00



注：型号E φ 350的A0级防火舷窗，其参考重量为50kg。

THE REFERENCE WEIGHT FOR A0 E% C350
261WHL065-00 IS 50KG.

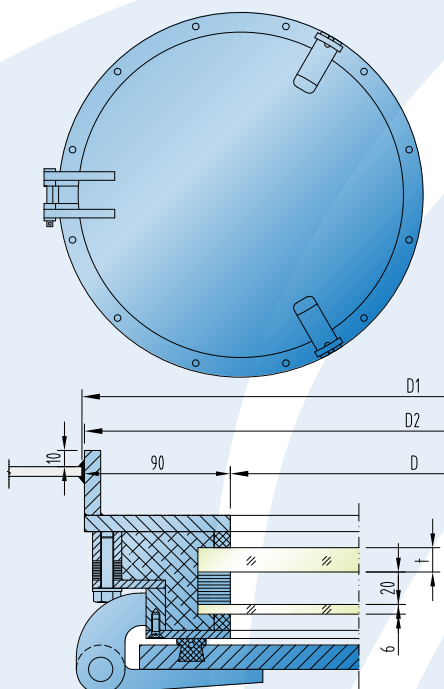
公称尺寸 NOMINAL SIZE D	围壁开孔尺寸 WALL CUT SIZE D1	外形尺寸 OUTLINE SIZE D2	mm 玻璃厚度 GLASS THICK. t	
			E	F
			φ 200	φ 253
φ 250	φ 308	φ 305	15	15
φ 300	φ 363	φ 360	15	15
φ 350	φ 413	φ 410	15	15
φ 400	φ 463	φ 460	19	15
φ 450	φ 513	φ 510	19	15
φ 500	φ 563	φ 560	19	15

φ 500 的A0级防火舷窗图号为261WHL506-00。

FOR φ 500 DIA. A0 SIDE SCUTTLE, THE DWG. NO IS
261WHL506-00.

A60 级防火舷窗 A60 Class Fireproof Side Scuttle

261WHL061-00



公称尺寸 NOMINAL SIZE D	围壁开孔尺寸 WALL CUT SIZE D1	外形尺寸 OUTLINE SIZE D2	mm 玻璃厚度 GLASS THICK. t	
			E	F
			φ 200	φ 383
φ 250	φ 433	φ 430	15	15
φ 300	φ 483	φ 480	15	15
φ 350	φ 533	φ 530	15	15
φ 400	φ 583	φ 580	15	15
φ 450	φ 633	φ 630	19	15

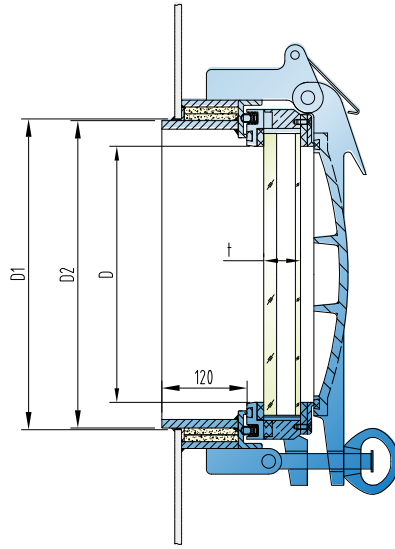
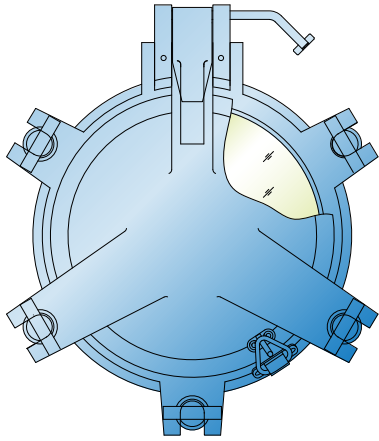
注：型号E φ 350的A60级防火舷窗261WHL061-00，其参考重量
为82kg。

THE REFERENCE WEIGHT FOR A60 E φ 350
261WHL061-00 IS 82KG.

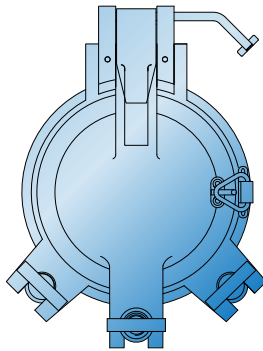


A60 焊接式开启舷窗 A60 Class Welded Hinged Side Scuttle

261WHL073-00



D=250, 200



mm

公称尺寸 NOMINAL SIZE D	围壁开孔尺寸 WALL CUT SIZE D1	外形尺寸 OUTLINE SIZE D2	玻璃厚度 GLASS THICK. t	
			E	F
φ 200	φ 253	φ 250	15+22A+6	15+22A+6
φ 250	φ 308	φ 305	15+22A+6	15+22A+6
φ 300	φ 363	φ 360	15+22A+6	15+22A+6
φ 350	φ 413	φ 410	15+22A+6	15+22A+6
φ 400	φ 463	φ 460	19+22A+6	15+22A+6
φ 450	φ 513	φ 510	19+22A+6	15+22A+6

注：型号E φ 350的A60级防火舷窗261WHL073-00，其参考重量为104kg。
THE REFERENCE WEIGHT FOR A60 E φ 350 261WHL073-00 IS 104KG.

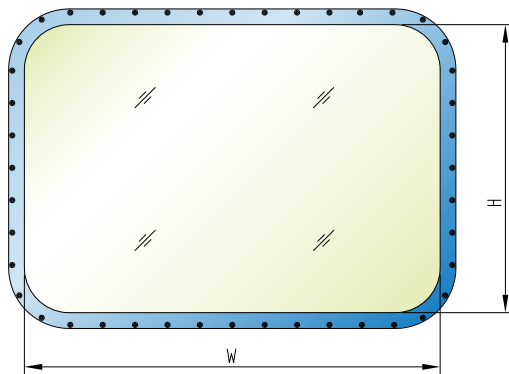


A0 级防火矩形窗 A0 Class Fireproof Rectangular Window

261WHL063-00
261WHL063(I)-00

玻璃也可为加热玻璃

THE GLASS COULD ALSO BE HEATING GLASS IF NEEDED.

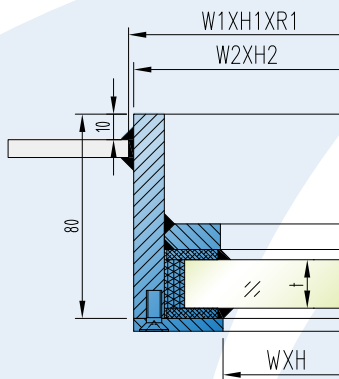


公称尺寸 NOMINAL SIZE WXH	围壁开孔尺寸 WALL CUT SIZE W1XH1XR1	外形尺寸 OUTLINE SIZE W2XH2	玻璃厚度 t GLASS THICK.	
			重型 HEAVY	轻型 LIGHT
355X500	459X604XR126	455X600	12	12
450X630	554X734XR126	550X730	12	12
500X710	604X814XR126	600X810	15	12
900X630	1004X734XR126	1000X730	19	12
1200X800	1304X904XR126	1300X900	19	15
1500X1000	1604X1104XR126	1600X1100	19	19
1500X1200	1604X1304XR126	1600X1300	22	19
1800X1500	1904X1604XR126	1900X1600	22	19
2000X1600	2104X1704XR126	2100X1700	22	19
2400X1700	2504X1804XR126	2500X1800	22	19

261WHL063-00

玻璃为非电加热的节点

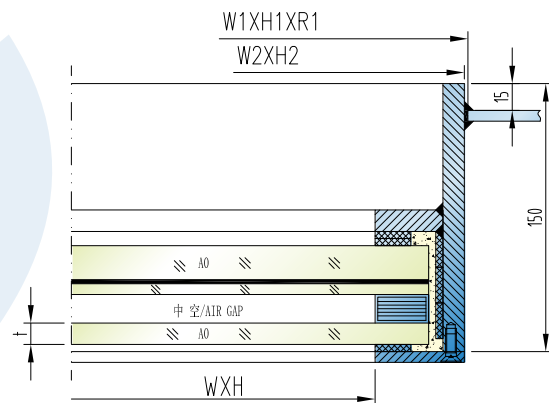
DETAIL OF NON-HEATING GLASS



261WHL063(I)-00

玻璃为电加热的节点

DETAIL OF HEATING GLASS



注：型号E1200X800的A0级防火矩形窗，其参考重量为112kg。

The reference weight for A0 E1200X800 261WHL063-00 is 112kg.

型号E1200X800的A0级防火电加热矩形窗，其参考重量为200kg。

The reference weight for A0 E1200X800 261WHL063(I)-00 is 200kg.

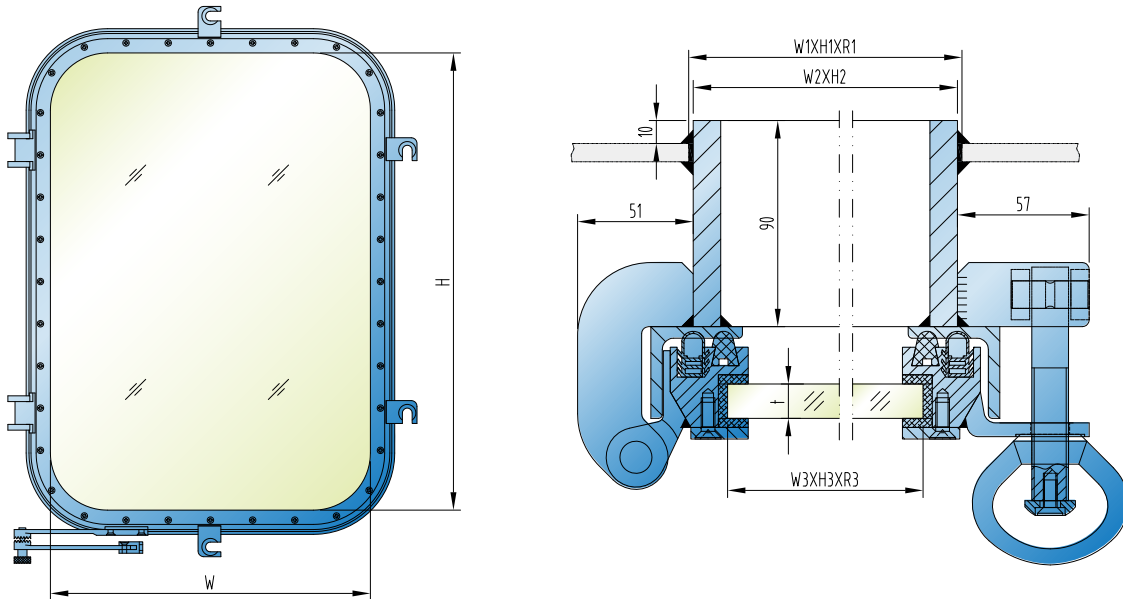


A0 级防火开式矩形窗 A0 Class Fireproof Open Type Rectangular Window

261WHL064-00

玻璃也可为加热玻璃

THE GLASS COULD ALSO BE HEATING GLASS IF NEEDED.



mm

序号 NO.	公称尺寸 NOMINAL SIZE WXH	围壁开孔尺寸 WALL CUT SIZE W1XH1XR1	外形尺寸 OUTLINE SIZE W2XH2	玻璃厚度 GLASS THICK. t		玻璃尺寸 SIZE OF GLASS W3XH3XR3
				E	F	
1	300X425	352X477XR76	348X473	15	15	318X443XR59
2	355X500	407X552XR76	403X548	15	15	373X518XR59
3	400X560	452X612XR76	448X608	15	15	418X578XR59
4	450X630	502X682XR126	498X678	15	15	468X648XR109
5	500X710	552X762XR126	548X758	15	15	518X728XR109
6	560X800	612X852XR126	608X848	15	15	578X818XR109

注：型号450X630的A0 级防火开式矩形窗，其参考重量为52kg。

THE REFERENCE WEIGHT FOR A0 450X630 261WHL064-00 IS 52KG.

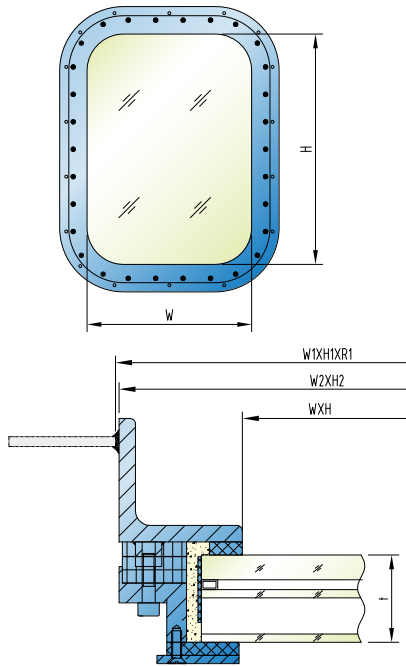


A60 级高隔声防火窗 A60 Fireproof High Sound-reduction Window

261WHL069-00

本窗的隔声值为46 dB。

THE SOUND REDUCTION VALUE OF THIS WINDOW IS 46 dB.



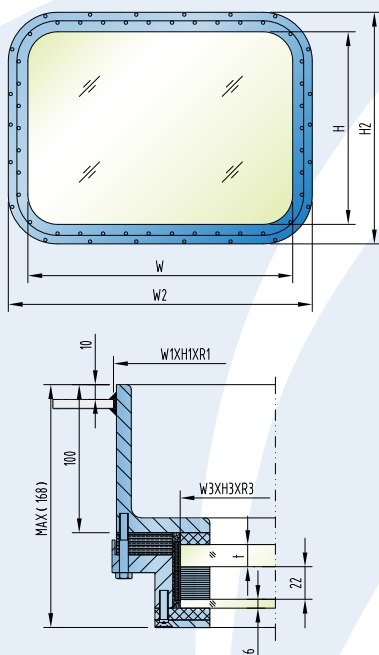
公称尺寸 NOMINAL SIZE WXH	围壁开孔尺寸 WALL CUT SIZE W1XH1XR1	外形尺寸 OUTLINE SIZE W2XH2	玻璃厚度 THICKNESS OF GLASS	
			E	F
355X500	509X654XR76	505X650	12+6A+8+22A+5	12+6A+8+22A+5
400X560	554X714XR76	550X710	12+6A+8+22A+5	12+6A+8+22A+5
450X630	604X784XR126	600X780	12+6A+8+22A+5	12+6A+8+22A+5
500X710	654X864XR126	650X860	15+6A+8+22A+5	12+6A+8+22A+5
560X800	714X954XR126	710X950	15+6A+8+22A+5	12+6A+8+22A+5
900X630	1054X784XR126	1050X780	19+6A+8+22A+5	12+6A+8+22A+5
1000X710	1154X864XR126	1150X860	19+6A+8+22A+5	12+6A+8+22A+5
1100X800	1254X954XR126	1250X950	—	15+6A+8+22A+5
1200X800	1354X954XR126	1350X950	根据计算或客户要求 decided by calculation or customer requirement	
1500X800	1654X954XR126	1650X950		
1800X900	1954X1054XR126	1950X1050		
1800X1200	1954X1354XR126	1950X1350		

注：型号E450X630的A-60级高隔声防火窗，其参考重量为70kg。

THE REFERENCE WEIGHT FOR A60 E450X630 261WHL069-00 IS 70KG.

A60 级防火矩形窗 A60 Class Fireproof Rectangular Window

261WHL059X-00



公称尺寸 NOMINAL SIZE WXH	围壁开孔尺寸 WALL CUT SIZE W1XH1XR1	外形尺寸 OUTLINE SIZE W2XH2	主玻璃厚度 PRESSURE GLASS THICK. t		玻璃尺寸 SIZE OF GLASS W3XH3XR3
			E	F	
355X500	485X630XR115	487X632	15	15	395X540XR70
450X630	580X760XR165	582X762	15	15	490X670XR120
500X710	630X840XR165	632X842	15	15	540X750XR120
900X630	1030X760XR165	1032X762	19	15	940X670XR120
1100X710	1230X840XR165	1232X842	19	15	1140X750XR120
1200X800	1330X930XR165	1332X932	19	15	1240X840XR120

注：型号E450X630的A60级防火矩形窗，其参考重量为78kg。

THE REFERENCE WEIGHT FOR A60 E450X630 261WHL059X-00 IS 78KG.

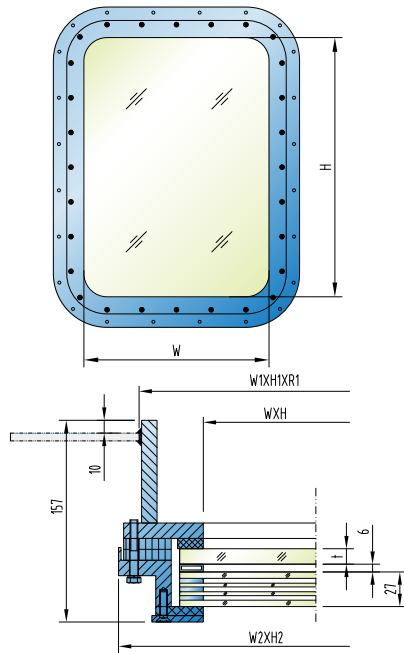


A60 级防火矩形窗 A60 Class Fireproof Rectangular Window

261WHL059(I)-00

玻璃是从圣戈班进口的防火玻璃。

THE FIREPROOF GLASS IS IMPORTED FROM SAINT-GOBAIN.



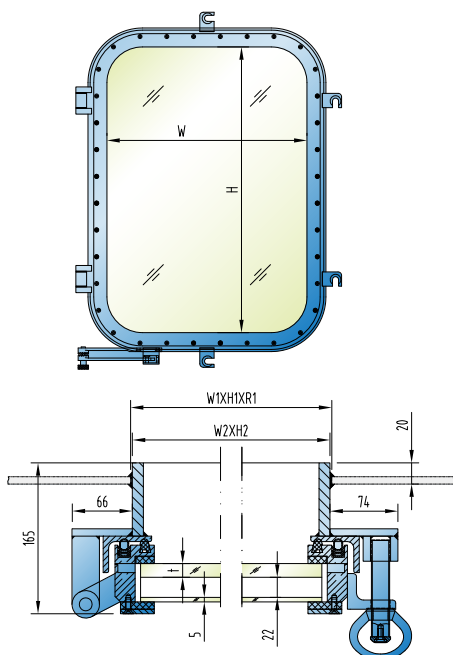
公称尺寸 NOMINAL SIZE WXH	围壁开孔尺寸 WALL CUT SIZE W1XH1XR1	外形尺寸 OUTLINE SIZE W2XH2	主玻璃厚度 PRESSURE GLASS THICK. t	
			E	F
355X500	455X600XR76	487X632	12	12
450X630	550X730XR126	582X762	12	12
500X710	600X810XR126	632X842	15	12
900X630	1000X730XR126	1032X762	19	12
1100X710	1200X810XR126	1232X842	19	12
1200X800	1300X900XR126	1332X932	—	15

注：型号E450X630的A60 级防火矩形窗，其参考重量为82kg。

THE REFERENCE WEIGHT FOR A60 E450X630
261WHL059(I)-00 IS 82KG.

A60 级防火开式矩形窗 A60 Class Fire-proof Open Type Rectangular Window

261WHL067-00



公称尺寸 NOMINAL SIZE WXH	围壁开孔尺寸 WALL CUT SIZE W1XH1XR1	外形尺寸 OUTLINE SIZE W2XH2	玻璃厚度 GLASS THICK. t
			mm
300X425	352X477XR76	348X473	15
355X500	407X552XR76	403X548	15
400X560	452X612XR76	448X608	15
450X630	502X682XR126	498X678	15
500X710	552X762XR126	548X758	15
560X800	612X852XR126	608X848	15

注：型号450X630的窗，其参考重量为78kg。

THE REFERENCE WEIGHT FOR A60 450X630
261WHL067-00 IS 78KG.

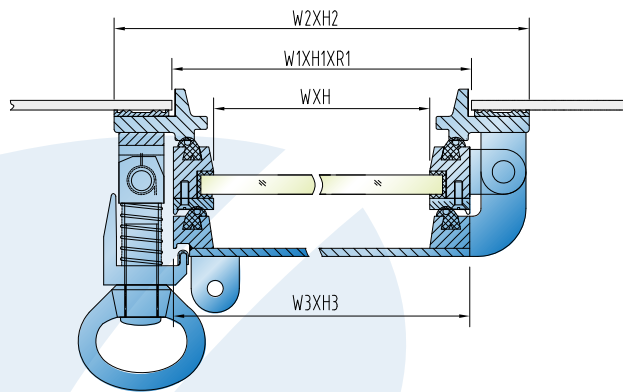
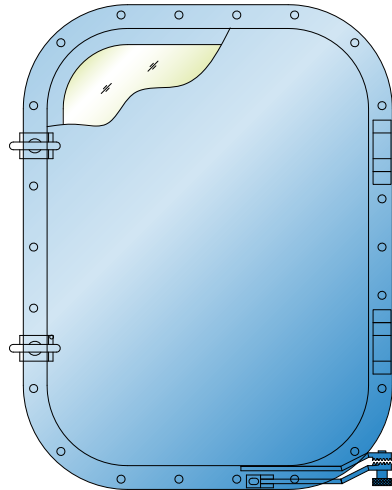


带风暴盖内开侧铰链铝质矩形窗 Aluminium Inward Side-hinged Rectangular Window with Deadlight

261WHL057-00

本产品已广泛用于军舰、化学品船用高速船舶，密封性好。

COMPREHENSIVELY APPLIED ON WARSHIP, CHEMICAL TANKER AND HIGH SPEED VESSEL. GOOD TIGHTNESS.



类型 TYPE	透光尺寸 CLEAR LIGHT SIZE WXH	围壁开孔尺寸 WALL CUT SIZE W1XH1XR1	外形尺寸 OUTLINE SIZE W2XH2	风暴盖尺寸 DEADLIGHT SIZE W3XH3
左内 LI	300X425	352X477XR76	424X549	350X475
	355X500	407X552XR76	479X624	405X550
	400X560	452X612XR76	524X684	450X610
右内 RI	450X630	502X682XR126	574X754	500X680
	500X710	552X762XR126	624X834	550X760
	560X800	612X852XR126	684X924	610X850

mm

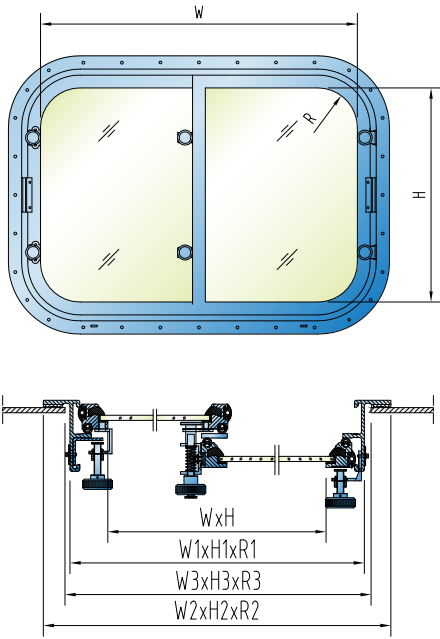
注：型号 450X630的带风暴盖内开侧铰链铝质矩形窗，其参考重量为41kg。

THE REFERENCE WEIGHT FOR 450X630 261WHL 057-00 IS 41KG.



○ 铝质移窗
Aluminium Sliding Window

261WHL007-00



序号 CODE	公称尺寸 NOMINAL SIZE WXH	例图 ILLUSTRATION
1	740X500	
2	830X560	
3	930X630	
4	1030X710	
5	500X630	
6	600X710	
7	750X800	

公称尺寸 NOMINAL SIZE WXH	单扇窗透光尺寸 SINGLE LIGHT SIZE WXHXR	窗座尺寸 WINDOW FRAME SIZE		围壁开孔尺寸 WALL CUT SIZE W3XH3XR3	玻璃外形尺寸 GLASS SIZE		窗座安装 螺栓数量 Bolt Qty.	最大允许压力KPa Max. Allowed Pressure KPa	
		W1XH1XR1	W2XH2XR2		厚度 t	W4XH4XR4		t=8	t=6
740X500	355X500XR50	828X588XR94	890X650XR125	840X600XR100	6 8 10 12 15	373X518XR58	20	45	26
830X560	400X560XR50	918X648XR94	980X710XR125	930X660XR100		418X578XR58	24	36	21
930X630	450X630XR100	1018X718XR144	1080X780XR175	1030X730XR150		468X648XR108	26	28	16
1030X710	500X710XR100	1118X798XR144	1180X860XR175	1130X810XR150		518X728XR108	30	23	13
500X630	235X630XR50	588X718XR94	650X780XR125	600X730XR100		253X648XR58	18	66	37
600X710	285X710XR50	688X798XR94	750X860XR125	700X810XR100		303X728XR58	22	46	26
750X800	360X800XR50	838X888XR94	900X950XR125	850X900XR100		378X818XR58	26	30	18

注：型号 930X630-8 的铝质移窗，其参考重量为25kg。

THE REFERENCE WEIGHT FOR 930X630-8 261WHL007-00 IS 25KG.

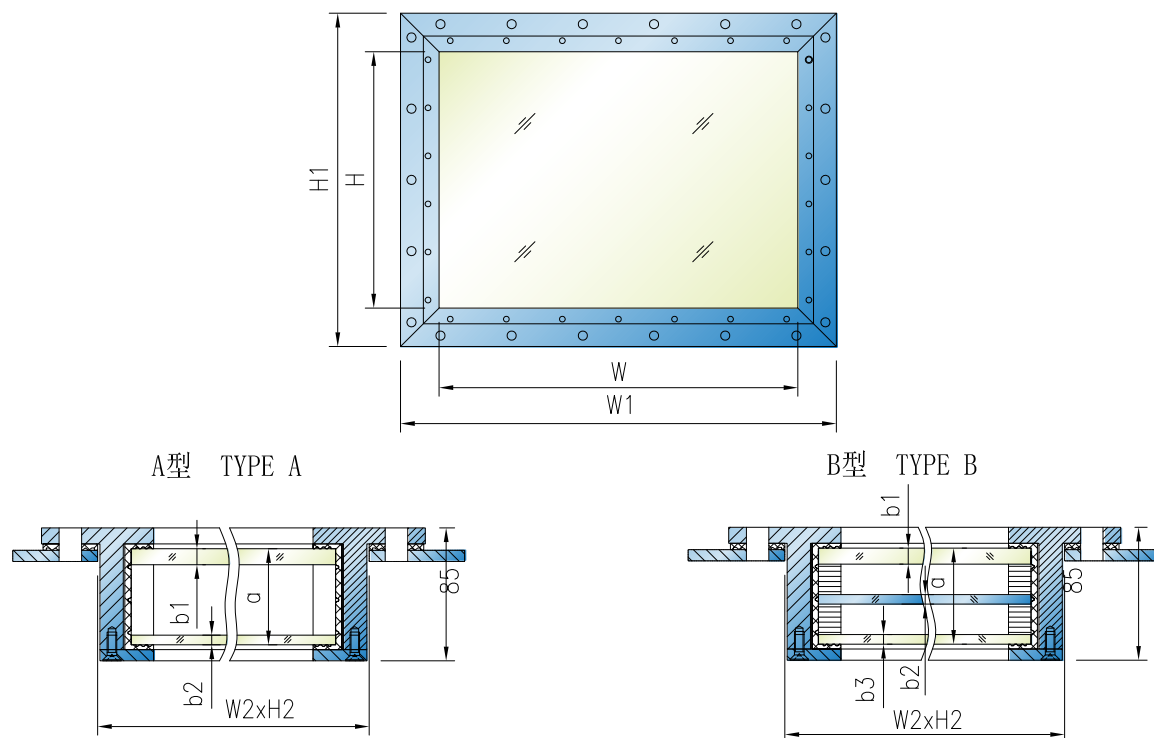


铝合金中空玻璃隔声窗 Aluminum Alloy Sound-proof Window

CB/T3917-2011

适用于各种舰船上需要隔声、隔热、保温要求的舱室。

USED FOR THE CABIN IN NEED OF SOUNDPROOF, HEAT INSULATION AND THERMAL INSULATION.



公称尺寸 NOMINAL SIZE	外形尺寸 OUTLINE SIZE	围壁开口 WALL CUT SIZE	玻璃厚度 GLASS THICK.			窗框螺钉 INSTALLATION BOLT		平均隔声量 SOUND PROOF TL(dB)
			A	B1	B2	个数 QTY	直径 D	
500X710	640X850	570X780	60	6			22	≥31
900X630	1040X770	970X700						26
1000X800	1140X940	1070X870		8			32	≥35
1200X800	1340X940	1270X870						34
1400X800	1540X940	1470X870		10			36	≥33
1600X1000	1740X1140	1670X1070						40
1800X1200	1940X1340	1870X1270					44	≥30.5

注：型号A 900X630的铝合金中空玻璃隔声窗，其参考重量为36kg。
THE REFERENCE WEIGHT FOR A 930X630 IS 36KG.

公称尺寸 NOMINAL SIZE	外形尺寸 OUTLINE SIZE	围壁开口 WALL CUT SIZE	玻璃厚度 GLASS THICK.				窗框螺钉 INSTALLATION BOLT		平均隔声量 SOUND PROOF TL(dB)
			A	B1	B2	B3	个数 QTY	直径 D	
500X710	640X850	570X780	60	6				22	≥31.3
900X630	1040X770	970X700							26
1000X800	1140X940	1070X870		8				32	≥37.1
1200X800	1340X940	1270X870							34
1400X800	1540X940	1470X870		10				36	≥36.6
1600X1000	1740X1140	1670X1070							40
1800X1200	1940X1340	1870X1270					44	≥36.6	

注：型号B 900X630的铝合金中空玻璃隔声窗，其参考重量为44kg。
THE REFERENCE WEIGHT FOR B 930X630 IS 44KG.

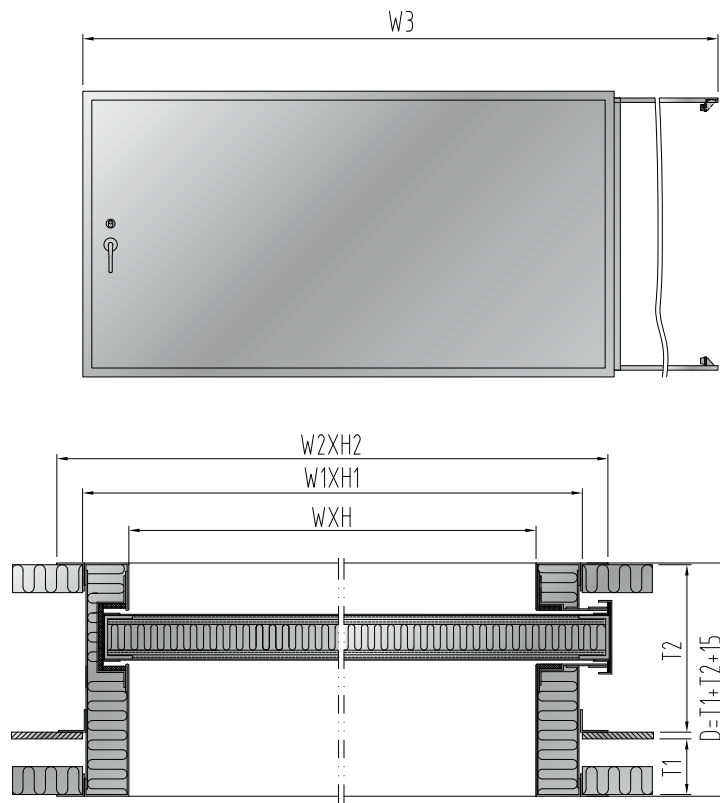


A60 防火服务窗 A60 Fireproof Service Window

261WHL028X-00

适用于各种舰船上需要隔声、隔热、保温要求的舱室。

USED FOR THE CABIN IN NEED OF SOUNDPROOF, HEAT INSULATION AND THERMAL INSULATION.



公称尺寸 CLEAR LIGHT SIZE WXH	围壁开孔尺寸 WALL CUT SIZE W1XH1	外形尺寸 SIZE OF FRAME W2XH2	玻璃厚度 LENGTH OF GUIDE W3	玻璃尺寸 FRAME DEPTH D
630X500	716X586	766X636	1460	240
900X630	986X716	1036X766	2000	240
1100X800	1186X886	1236X936	2400	240
2000X1200	2086X1286	2136X1336	4200	240

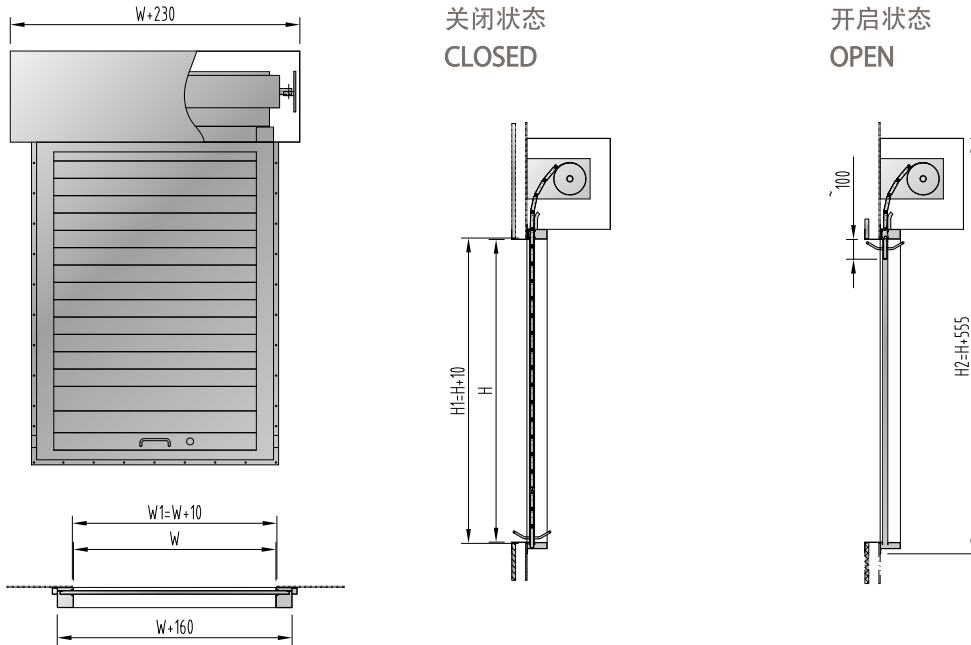
注：型号 1100X800的A60防火服务窗，其参考重量为98kg。

THE REFERENCE WEIGHT FOR 1100X800 261WHL028X-00 IS 98KG.



○ A0 级防火卷帘窗 A0 Fireproof Roller Shutter Window

261WHL080-00

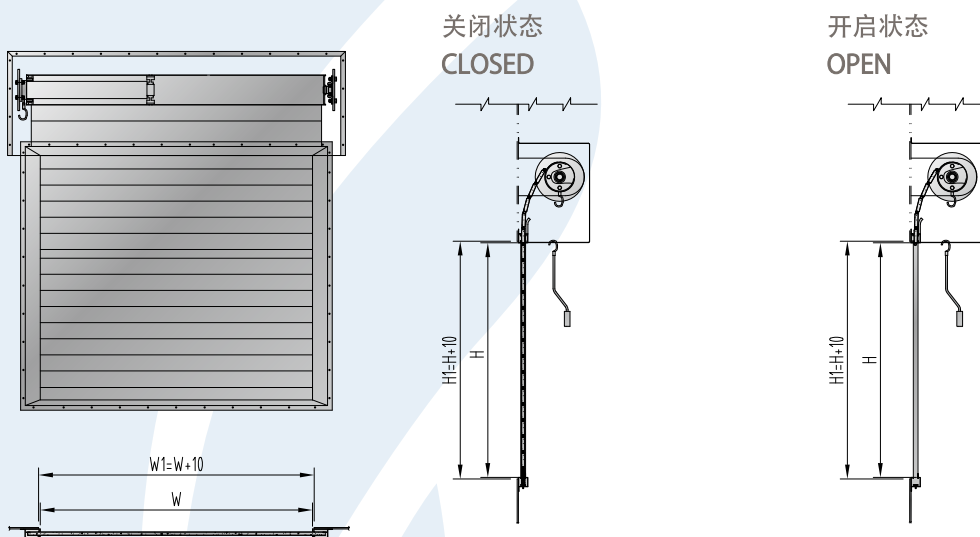


注：最大透光尺寸为2000X1500mm (宽X高)。

THE MAXIMUM CLEAR LIGHT SIZE IS 2000X1500 (WIDTH X HEIGHT).

○ A0 级电动防火卷帘窗 A0 Class Electrical Fireproof Roller Shutter Window

261WHL081-00



注：最大透光尺寸为2500X2200mm (宽X高)。

THE MAXIMUM CLEAR LIGHT SIZE IS 2500X2200 (WIDTH X HEIGHT).



铝质、钢质、不锈钢窗斗 Aluminium, Steel, Stainless Steel Window Box

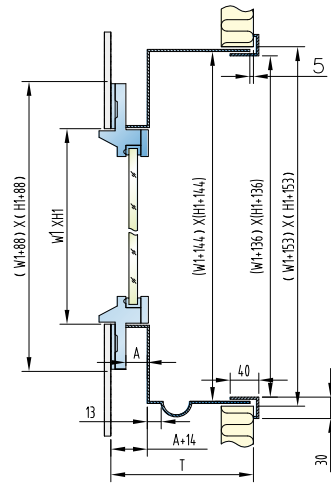
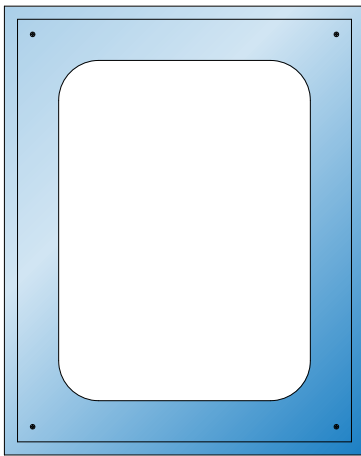
261WHL011-00

窗斗形式多样，不限于下面两图

MANY TYPES OF WINDOW BOXES. NOT LIMITED AS BELOW

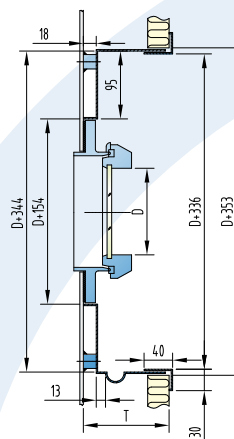
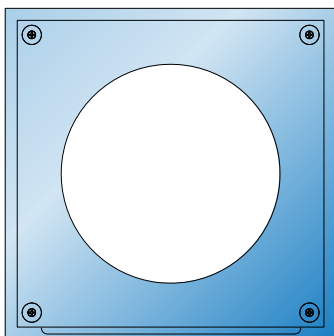
矩形窗斗

WINDOW BOX FOR RECTANGULAR WINDOW



舷窗窗斗

WINDOW BOX FOR SIDE SCUTTLES





船用人孔盖 Marine Manhole Cover

CB/T 19-2001

(CB/T439-2014也在承制范围内)

(CB/T439-2014 is also in scope of supply)

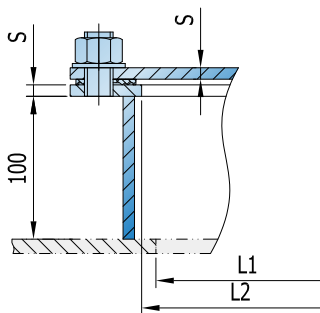
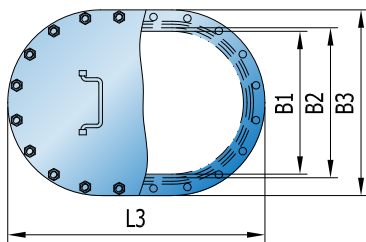
适用于船舶的水密、油密以及气密人孔盖，符合ISO 5894。

USED FOR MARINE WATERTIGHT, OIL-TIGHT AND GAS-TIGHT MANHOLE COVERS. COMPLY WITH ISO 5894.

A型人孔盖

263WHL019-A-00

TYPE A MANHOLE COVER



类型	公称尺寸	L1	L2	L3	B1	B2	B3	S	紧固件 FASTENER	
TYPE	NOMINAL SIZE	mm							直径 D	个数 QTY.
A	450×350	450	470	570	350	370	470	4	M20	16
								6		
								8		
	600X400	600	620	720	400	420	520	10		20
								6		
								8		
	800X600	800	820	920	600	620	720	10		26
								12		
								8		
								12		
								14		

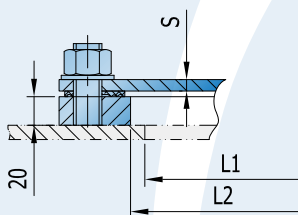
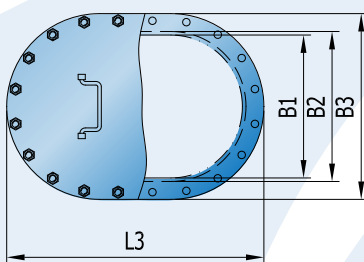
注：型号A 600X400-12的人孔盖，其参考重量为79.6kg。

The reference weight for A 600X400-12 263WHL019-A-00 is 79.6kg.

B型人孔盖

263WHL019-B-00

TYPE B MANHOLE COVER



类型	公称尺寸	L1	L2	L3	B1	B2	B3	S	紧固件 FASTENER	
TYPE	NOMINAL SIZE	mm							直径 D	个数 QTY.
A	450×350	450	470	570	350	370	470	4	M20	16
								6		
								8		
	600X400	600	620	720	400	420	520	10		20
								8		
								12		
	800X600	800	820	920	600	620	720	14		26
								12		
								14		
	800X400 (椭圆型)	800	830	930	400	430	530	12	24	
								14		
								16		
								18		

注：型号B 600X400-12的人孔盖，其参考重量为61.2kg。

The reference weight for B 600X400-12 263WHL019-B-00 is 61.2kg.

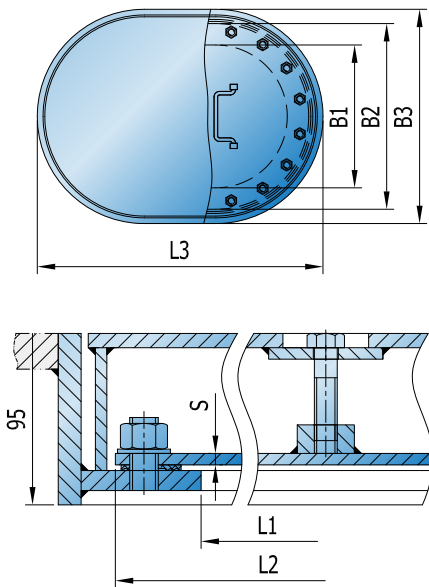


船用人孔盖 Marine Manhole Cover

CB/T 19-2001

C型人孔盖
TYPE C MANHOLE COVER

263WHL019-C-00



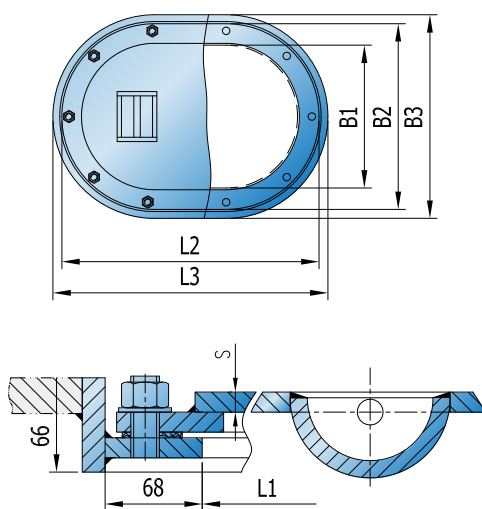
类型 TYPE	公称尺寸 NOMINAL SIZE	L1	L2	L3	B1	B2	B3	S	紧固件 FASTENER	
									直径 D	个数 QTY.
C	450×350	450	570	650	350	470	550	10	M20	16
								12		
								14		
	600X400	600	720	800	400	520	600	10	M20	20
								12		
								14		
	800X600	800	920	1000	600	720	800	12	M20	26
								14		
								18		
	800X400 (椭圆型)	800	930	1010	400	530	610	12	M20	24
								14		
								18		

注：型号C 600X400-12 的人孔盖，其参考重量为142.2kg。

The reference weight for C 600X400-12 263WHL019-C-00 is 142.2kg.

D型人孔盖
TYPE D MANHOLE COVER

263WHL019-D-00



类型 TYPE	公称尺寸 NOMINAL SIZE	L1	L2	L3	B1	B2	B3	S	紧固件 FASTENER	
									直径 D	个数 QTY.
D	450×350	450	570	620	350	470	520	14	M20	16
								16		
								18		
	600X400	600	720	770	400	520	570	14	M20	20
								16		
								18		
	800X600	800	920	970	600	720	770	14	M20	26
								18		
								20		
	800X400 (椭圆型)	800	930	980	400	530	580	14	M20	24
								16		
								20		

注：型号D 600X400-16 的人孔盖，其参考重量为88.8kg。

The reference weight for D 600X400-16 263WHL019-D-00 is 88.8kg.



钢质小型舱口盖 Small Steel Hatch Cover

CB/T3728-2011

适用于各类船舶用小型舱口盖，符合ISO 5778标准

THE SMALL STEEL HATCHES ARE USED FOR VARIOUS SHIPS. COMPLY WITH ISO 5778

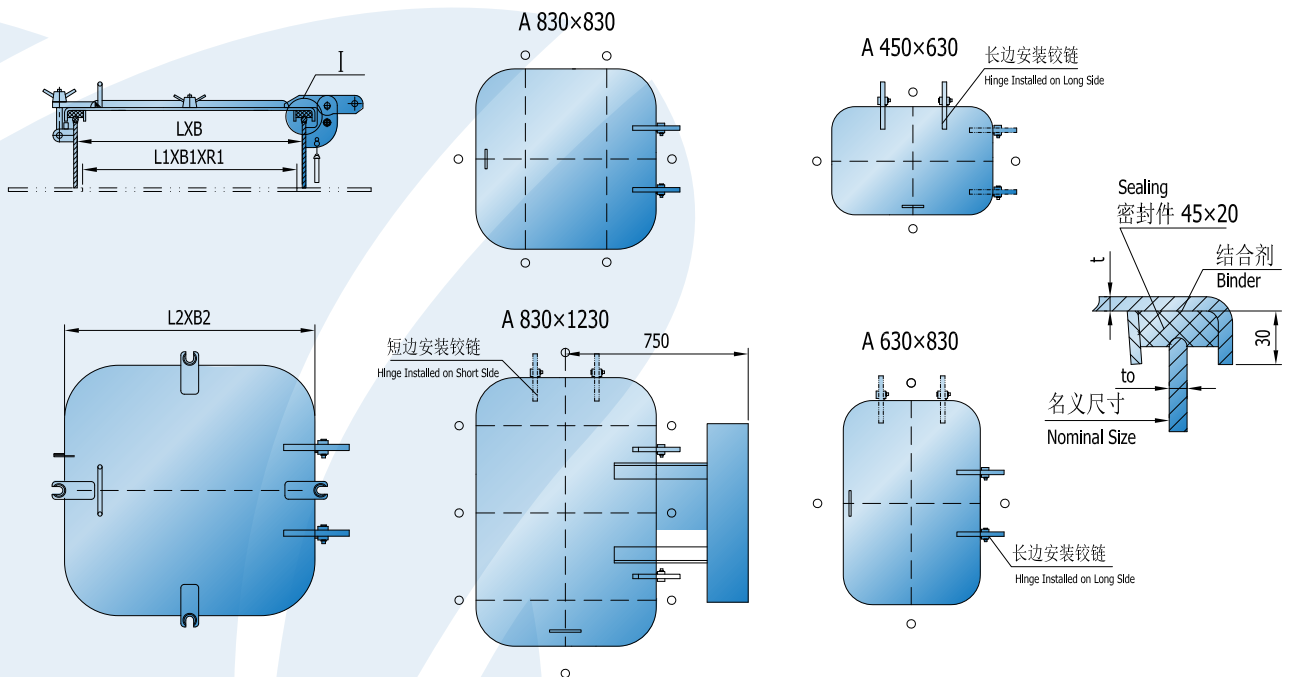
舱口盖型式

TYPE OF SMALL HATCH COVER

类型 TYPE	名称 DESCRIPTION	结构特征 STRUCTURE CHARACTERISTIC	名义尺寸 NOMINAL SIZE LXB
A	单面启闭风雨密舱口盖 SINGLE SIDE WATERTIGHT HATCH	翼形螺母夹扣 WING NUT CLIP	450X630 530X530 630X630 630X830 830X830 830X1230 1030X1030 1330X1330
B	双面启闭风雨密舱口盖 DOUBLE SIDE WATERTIGHT HATCH	楔形把手夹扣 WEDGE HANDLE CLIP	450X630 530X530 630X630 630X830 830X830 830X1230
C	快速启闭风雨密舱口盖 QUICK ACTION WATERTIGHT HATCH	中心旋转把手夹扣 CENTRAL ROTATION HANDLE CLIP	530X530 630X630 830X830 φ 530 φ 630 φ 830
D	埋入式风雨密舱口盖 FLUSH TYPE WATERTIGHT HATCH	可倒楔形把手夹扣 ROTATABLE WEDGE HANDLE CLIP	530X530 630X630 630X830 830X830
E	单面启闭非风雨密舱口盖 SINGLE SIDE NON-WATERTIGHT HATCH	翼形螺母夹扣 WING NUT CLIP	450X630 530X530 630X630 630X830 830X830
F	双面启闭非风雨密舱口盖 DOUBLE SIDE NON-WATERTIGHT HATCH	楔形把手夹扣 WEDGE HANDLE NUT CLIP	450X630 530X530 630X630 630X830 830X830

A型小舱口盖

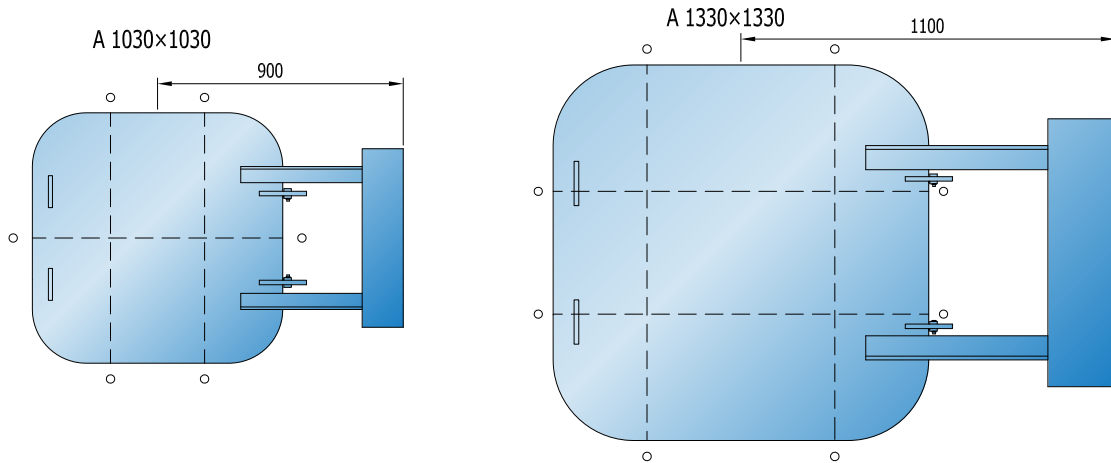
TYPE A SMALL HATCH





○ 钢质小型舱口盖
Small Steel Hatch Cover

263WHL028A-00



类型 TYPE	名义尺寸 NOMINAL SIZE LXB	通孔尺寸 CLEAR SIZE L1XB1XR	盖板尺寸 COVER PLATE SIZE L2XB2	盖板厚度 PLATE THK. t	围栏 COAMING		翼型螺母夹扣 WING NUT CLIP	
					厚度 to	高度 H	直径 DIA.	数量 QTY.
A	450X630	420X600X100	508X688	4	4, 6	100 150 200 250 450 600 800	M16	4
			512X692	6	6, 8			
			516X696	8	8, 11			
	588X588	4	4, 6					
	530X530	500X500X100	592X592	6	6, 8		M20	
			596X596	8	8, 11			
			688X688	4	4, 6			
	630X630	600X600X100	692X692	6	6, 8			
			696X696	8	8, 11			
			688X888	4	4, 6			
	630X830	600X800X100	692X892	6	6, 8		M20	
			696X896	8	8, 11			
			888X888	4	4, 6			
	830X830	800X800X100	892X892	6	6, 8			
			896X896	8	8, 11			
			888X1288	4	4, 6			
830X1230	800X1200X100	892X1292	6	6, 8	M20			
		896X1296	8	8, 11				
		1092X1092	6	6, 8				
1030X1030	1000X1000X100	1096X1096	8	8, 11		800	M20	6
		1396X1396	8	8, 11	800			

注：型号A 630X630X8-11X200的小舱口盖参考重量为98.6kg。

The reference weight for A 630X630X8-11X200 263WHL028A-00 is 98.6kg.

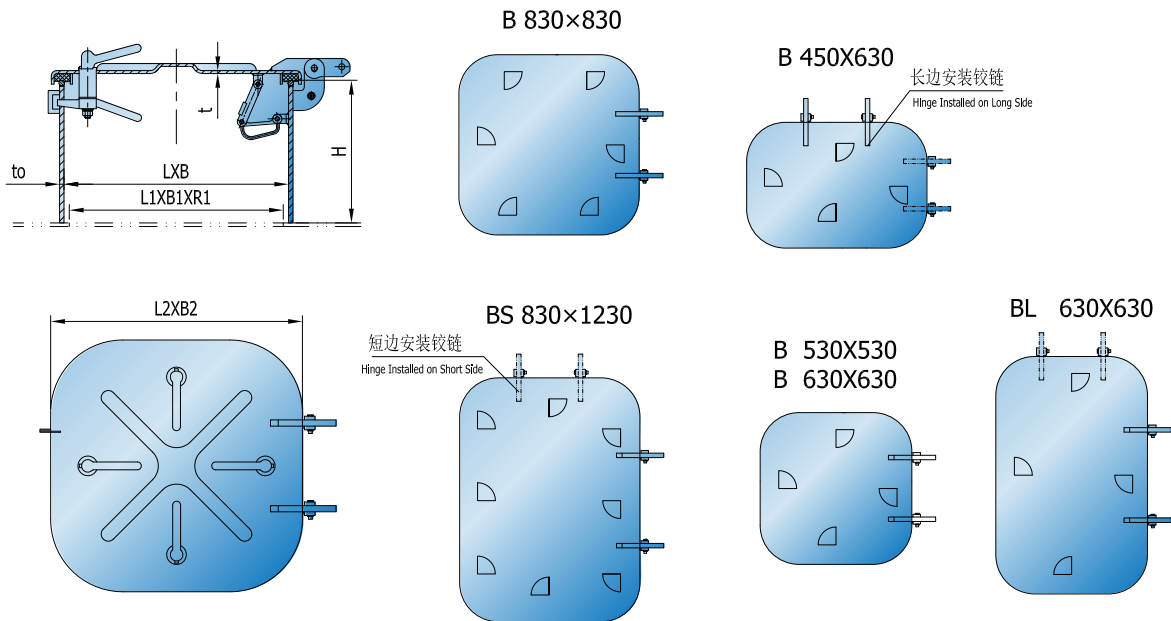


钢质小型舱口盖 Small Steel Hatch Cover

263WHL028B-00

B型小舱口盖

TYPE B SMALL HATCH COVER



mm

类型 TYPE	名义尺寸 NOMINAL SIZE LXB	通孔尺寸 CLEAR SIZE L1XB1XR1	盖板尺寸 COVER PLATE SIZE L2XB2	盖板厚度 PLATE THK. t	围栏 COAMING		楔形螺母夹扣 WEDGE NUT CLIP 数量 QTY.
					厚度 to	高度 H	
B	450X630	420X600X100	508X688	4	4, 6	100 150 200 250 450 600	4
			512X692	6	6, 8		
			516X696	8	8, 11		
	530X530	500X500X100	588X588	4	4, 6		
			592X592	6	6, 8		
			596X596	8	8, 11		
	630X630	600X600X100	688X688	4	4, 6		
			692X692	6	6, 8		
			696X696	8	8, 11		
	630X830	600X800X100	688X888	4	4, 6		
			692X892	6	6, 8		
			696X896	8	8, 11		
	830X830	800X800X100	888X888	4	4, 6		
			892X892	6	6, 8		
			896X896	8	8, 11		
	830X1230	800X1200X100	888X1288	4	4, 6		
892X1292			6	6, 8			

注：型号B 630X630X8-11X200的小舱口盖参考重量为99.3kg。

The reference weight for B 630X630X8-11X200 263WHL028B-00 is 99.3kg.

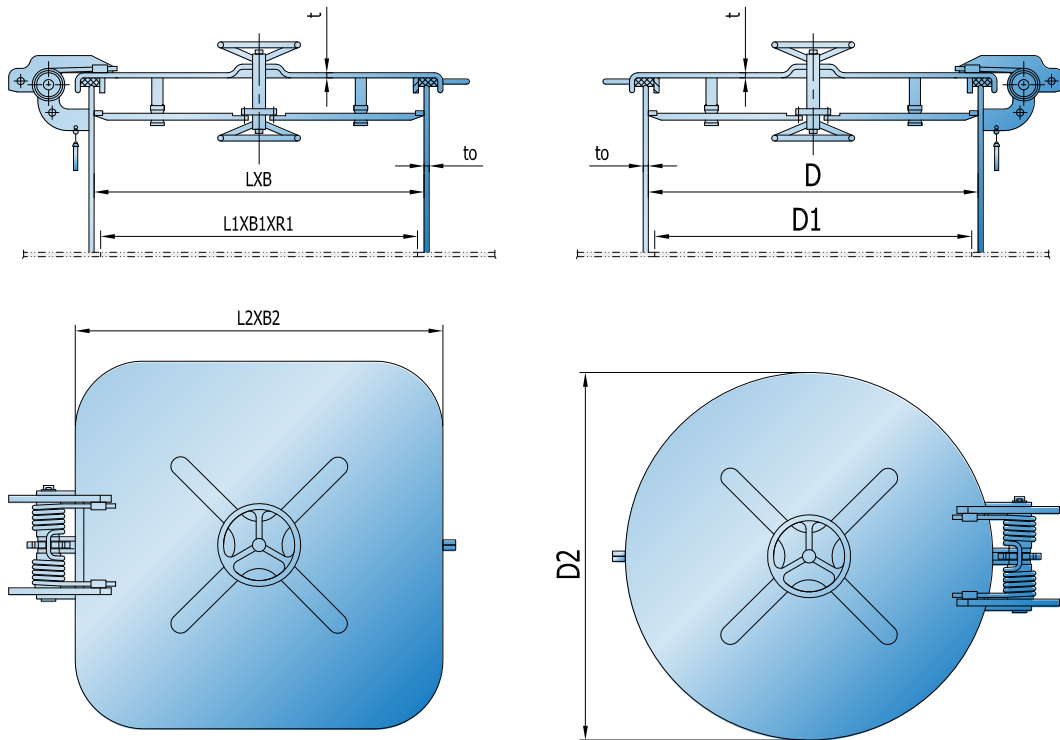


钢质小型舱口盖 Small Steel Hatch Cover

263WHL028C-00

C型小舱口盖

TYPE C SMALL HATCH COVER



类型 TYPE	名义尺寸 NOMINAL SIZE LXB或D	通孔尺寸 CLEAR SIZE L1XB1XR或D1	盖板尺寸 COVER PLATE SIZE L2XB2或D2	盖板厚度 PLATE THK. t	围栏 COAMING		中心旋转把手 夹扣数量 QTY. OF CLIPS
					厚度 to	高度 H	
					mm		
C	530X530	500X500X100	588X588	4	4, 6	150 200 250 450 600	4
			592X592	6	6, 8		
			596X596	8	8, 11		
	630X630	600X600X100	688X688	4	4, 6		4
			692X692	6	6, 8		
			696X696	8	8, 11		
	830X830	800X800X100	892X892	6	6, 8		6
			896X896	8	8, 11		
			588	4	4, 6		
	592	6	6, 8				
	596	8	8, 11				
	688	4	4, 6				
	φ 530	φ 500	692	6	6, 8		4
			696	8	8, 11		
			892	6	6, 8		
	φ 630	φ 600	896	8	8, 11		6
892			6	6, 8			
896			8	8, 11			

注：型号C 630X630X8-11X200的小舱口盖参考重量为117.6kg。

The reference weight for C 630X630X8-11X200 263WHL028C-00 is 117.6kg.

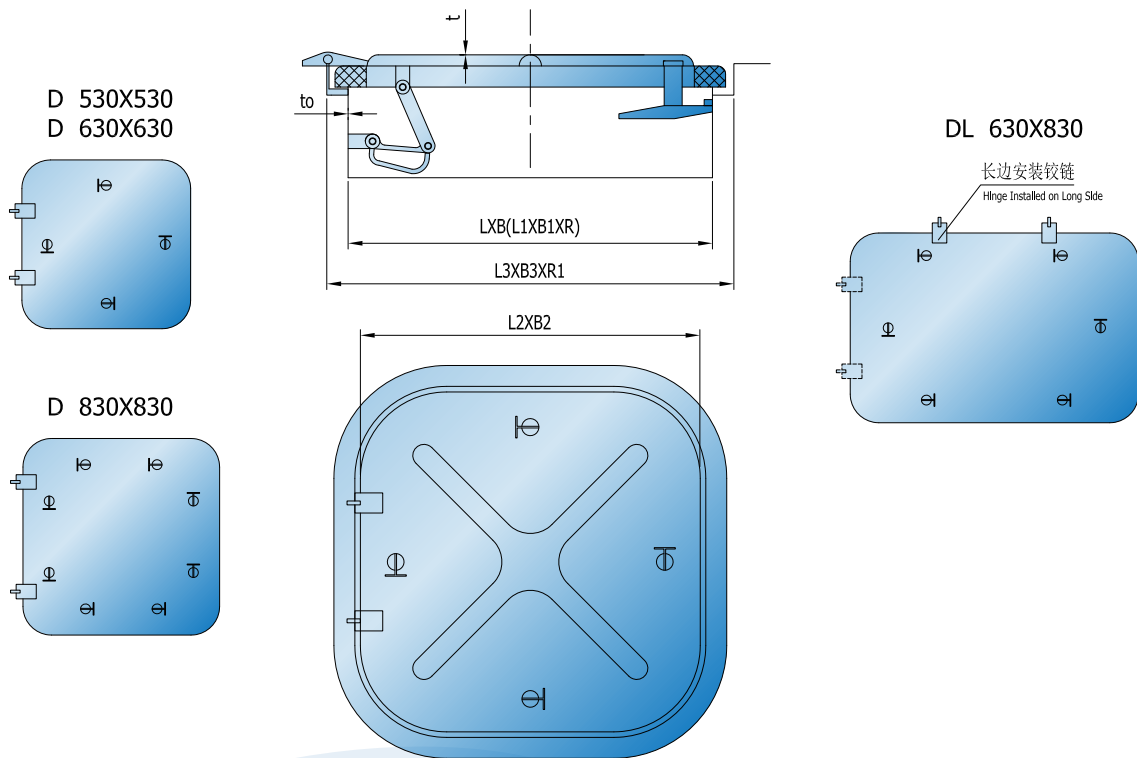


钢质小型舱口盖 Small Steel Hatch Cover

263WHL028D-00

D型小舱口盖

TYPE D SMALL HATCH COVER



类型 TYPE	名义尺寸 NOMINAL SIZE LXB	通孔尺寸 CLEAR SIZE L1XB1XR	盖板尺寸 COVER PLATE SIZE L2×B2	甲板开孔尺寸 DECK WALL CUT SIZE L3XB3XR1	盖板厚度 PLATE THK. t	围板厚度 COAMING THK. to	把手夹扣 CLIP	
							数量 QTY.	
D	530X530	530X530X115	588X588	622X622X161	4	6	4	
			592X592	622X622X161	6	6		
			596X596	626X626X163	8	8		
	630X630	630X630X115	688X688	722X722X161	4	6		4
			692X692	722X722X161	6	6		
			696X696	726X726X163	8	8		
	630X830	630X830X115	688X888	722X922X161	4	6	6	
			692X892	726X926X163	6	8		
830X830	830X830X115	892X892	926X926X163	6	8	8		
		896X896	926X926X163	8	8			

注：型号D 630X630X8的小舱口盖参考重量为80.5kg。

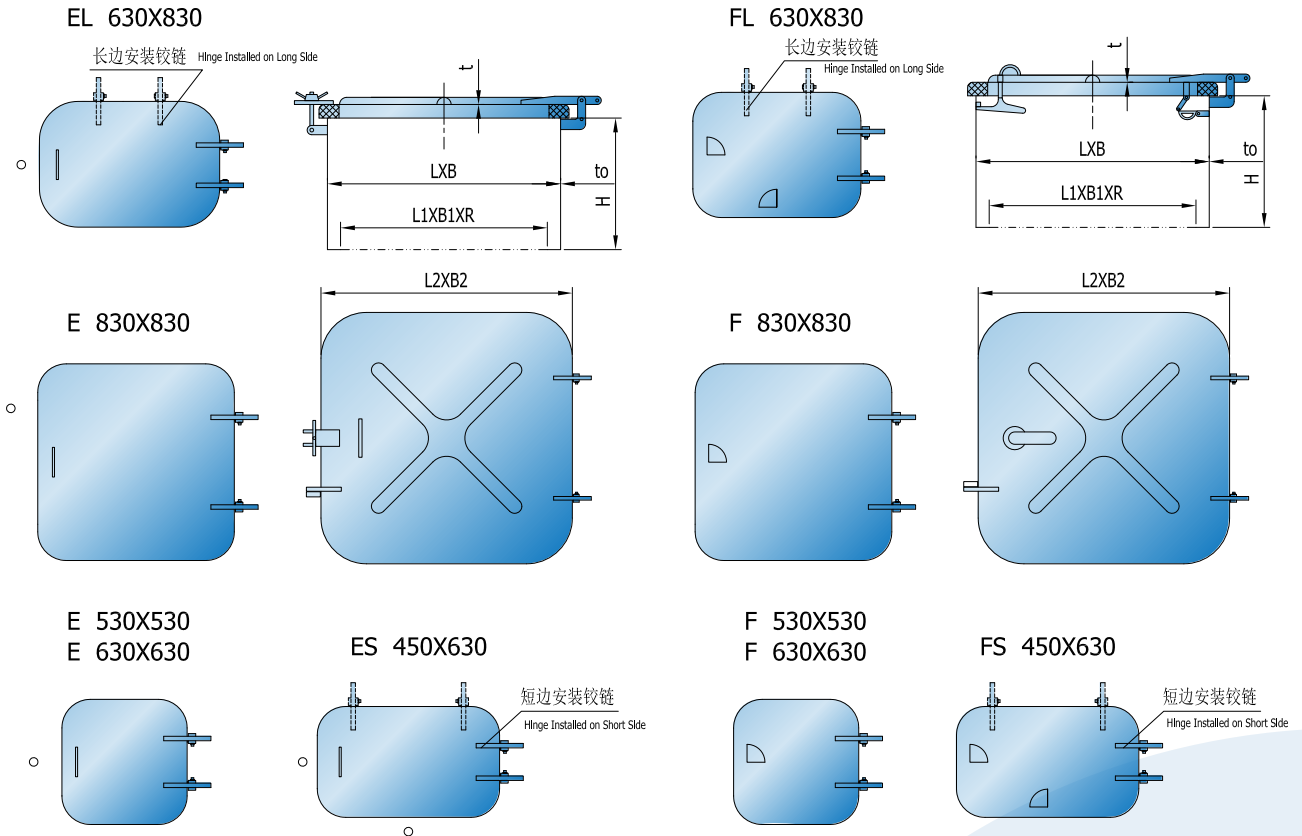
The reference weight for D 630X630X8 is 80.5 263WHL028D-00 is 80.5kg.



钢质小型舱口盖 Small Steel Hatch Cover

263WHL028E/F-00

E、F舱口盖型式
TYPE E & F SMALL HATCH COVER



类型 TYPE	名义尺寸 NOMINAL SIZE LXB	通孔尺寸 CLEAR SIZE L1XB1XR	盖板尺寸 COVER PLATE SIZE L2XB2	盖板厚度 PLATE THK. t	围栏 COAMING	
					厚度 to	高度 H
E	450X630	420X600X100	508X688	4	4, 6	100
			512X692	6	6, 8	
	530X530	500X500X100	588X588	4	4, 6	
			592X592	6	6, 8	
F	630X630	600X600X100	688X688	4	4, 6	150
			692X692	6	6, 8	
	630X830	600X800X100	688X888	4	4, 6	
			692X892	6	6, 8	
830X830	800X800X100	888X888	4	4, 6	200	
		892X892	6	6, 8		

注：型号E 630X630X6-8X200的小舱口盖参考重量为83.2kg。

The reference weight for E 630X630X6-8X200 263WHL028E-00 is 83.2kg.

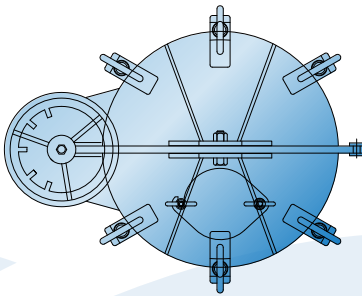
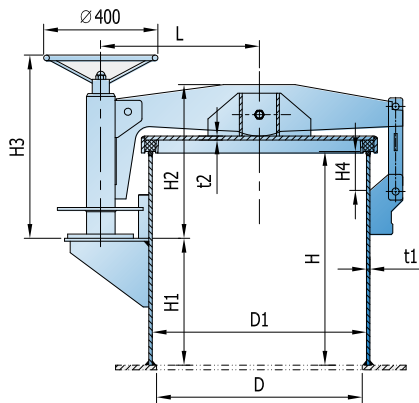


转动式油舱盖 Swiveling Type Oil Hatch Cover

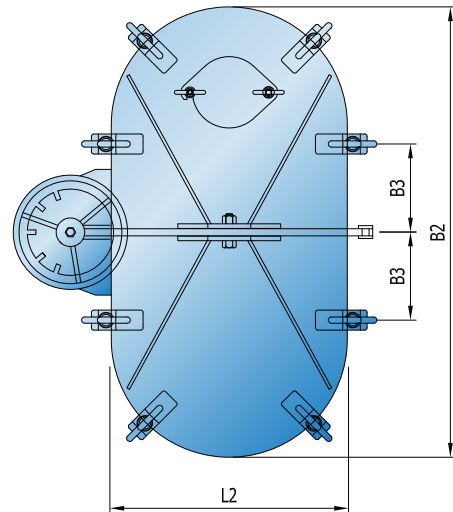
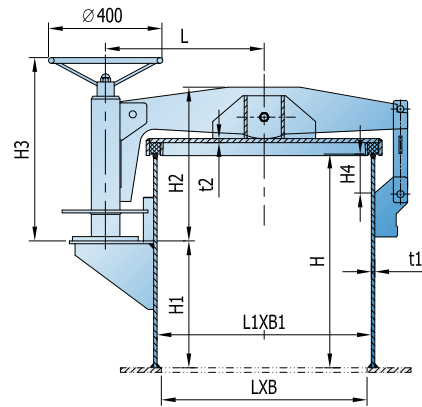
263WHL027-00

(参照/REFER TO CB/T 4318-2013)

A型 - 圆型
TYPE A-CIRCLE



B型 - 长圆型
TYPE B-ELLIPTIC



类型 TYPE	公称尺寸 NOMINAL SIZE D	围板尺寸 COAMING SIZE D1	H	H1	H2	H3	H4	L	t1	t2	夹扣 数量 CLIP QTY.
A	600	630						480			4
	700	730					585	530	10	12	6
	800	830	760	290	538	~	100	580			
	1000	1030				700		682	12	14	
	1200	1230						782			

mm

类型 TYPE	公称尺寸 NOMINAL SIZE LXB	围板尺寸 COAMING SIZE L1XB1	L2	B2	H	H1	H2	H3	H4	L	B3	t1	t2	夹扣 数量 CLIP QTY.
B	600X800	630X830	685	885						515	100			4
	750X1200	780X1230	835	1285	760	290	538	~	100	556	430	12	14	8
	850X1500	880X1530	935	1585				700		606	460			

mm

注：型号A 900的油舱盖参考重量为512kg。

The reference weight for A 900 263WHL027-00 is 512kg.

注：型号B 750X1200的油舱盖参考重量为565kg。

The reference weight for B 750X1200 263WHL027-00 is 565kg.

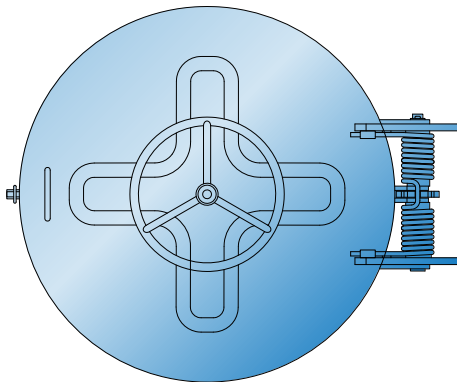
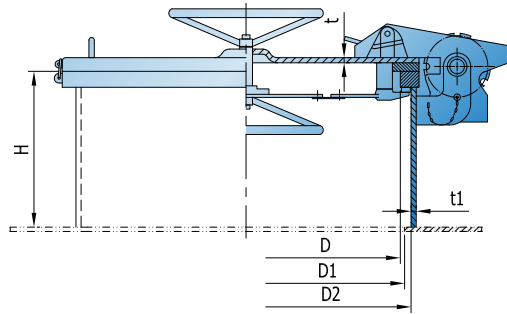


快速启闭水密舱口盖 Quick Action Watertight Hatch Cover

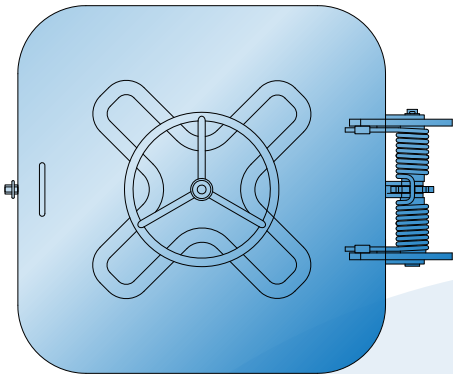
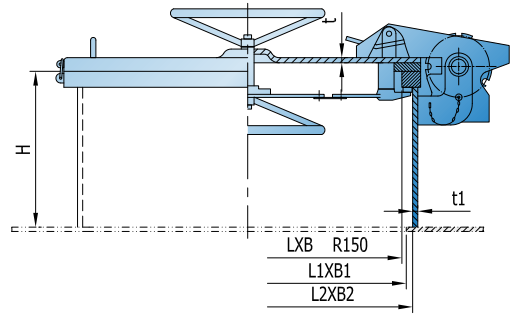
263WHL042-00

(参照/REFER TO CB/T 3842-2000)

A型
TYPE A



B型
TYPE B



类型 TYPE	通孔尺寸 CLEAR SIZE D	甲板开孔 DECOR SIZE D1	围板尺寸 COAMING SIZE D2	盖板厚度 THK. t	围栏 COAMING		许用压力 ALLOWABLE PRESSURE MPa
					厚度 t1	高度 H	
A	600	640	670	12	12	200	0.20
	650	690	720			450	
	700	740	770			600	
	750	790	820				
	800	840	870				

注：型号A 600-200的水密舱口盖参考重量为245kg。

The reference weight for A 600-200 263WHL042-00 is 245kg.

类型 TYPE	通孔尺寸 CLEAR SIZE LXB	甲板开孔 DECOR SIZE L1XB1	围板尺寸 COAMING SIZE L2XB2	盖板厚度 THK. t	围栏 COAMING		许用压力 ALLOWABLE PRESSURE MPa
					厚度 t1	高度 H	
B	600X600	640X640	670X670	12	12	200	0.20
	700X700	740X740	770X770			450	
	800X800	840X840	870X870			600	

注：型号B 600X600-200的水密舱口盖参考重量为310kg。

The reference weight for B 600X600-200 263WHL042-00 is 310kg.



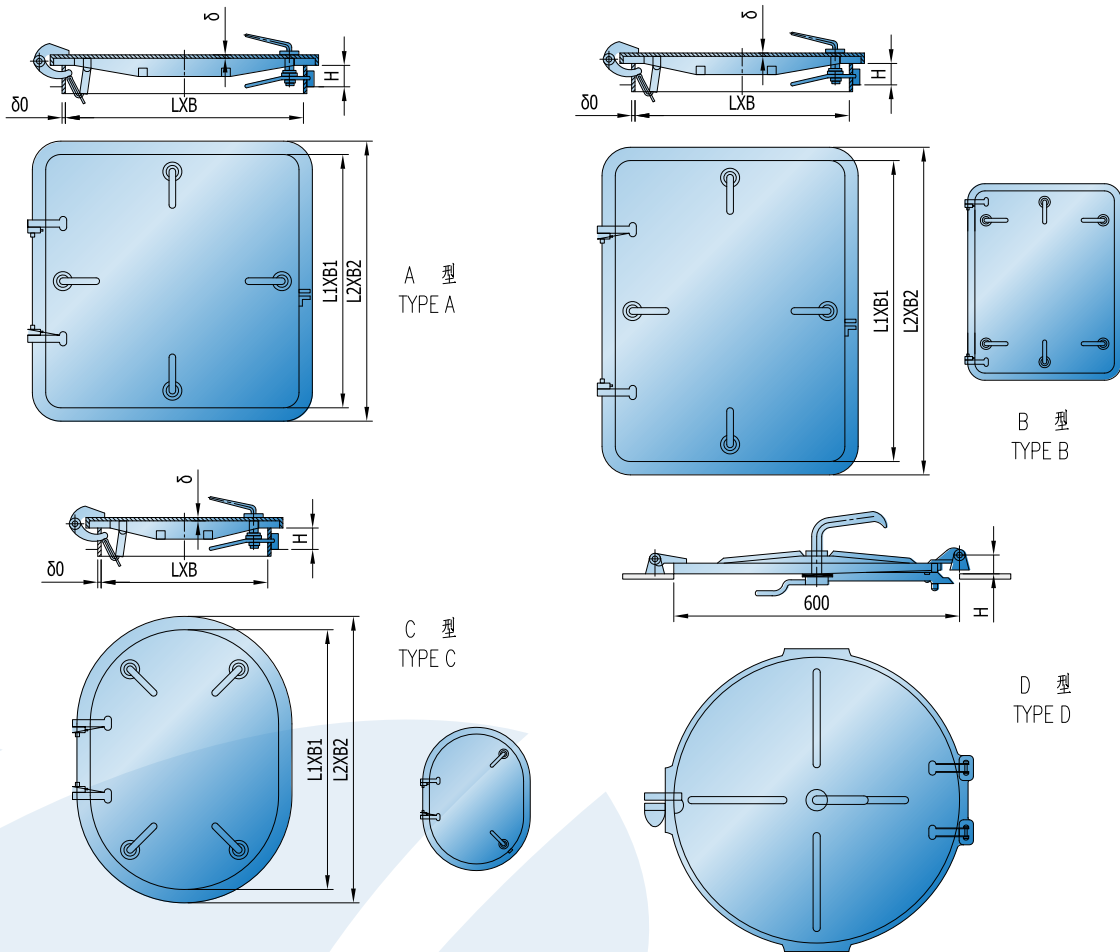
铝质水密舱口盖 Aluminium Weathertight Hatch Cover

263WHL004L-00

(参照/REFER TO CB 732-68)

适用于船舶露天部分甲板及储藏舱口等处，具有重量轻、密性好、启闭灵活等特点。

USED FOR EXPOSED DECK AND STORAGE HATCH. LOW WEIGHT, GOOD TIGHTNESS AND CONVENIENT OPENING.



类型 TYPE	通孔尺寸 CLEAR SIZE LXB	盖板尺寸 COVER PLATE SIZE L1XB1	甲板开口 DECK OPENING SIZE L2XB2	δ	$\delta 0$	H
A	500X500	532X532	588X588	3	4	50
	600X600	632X632	688X688	3	4	50
B	450X600	482X632	538X688	3	4	50
	650X800	686X836	738X888	4	4	50
C	350X500	382X532	438X588	3	4	50
	450X600	482X632	538X688	3	4	50
D	$\phi 600$	$\phi 636$	$\phi 640$	3	2.5	27

注：型号A 600X600的铝质舱口盖参考重量为15.6kg。

The reference weight for A 600X600 263WHL004L-00 is 15.6kg.



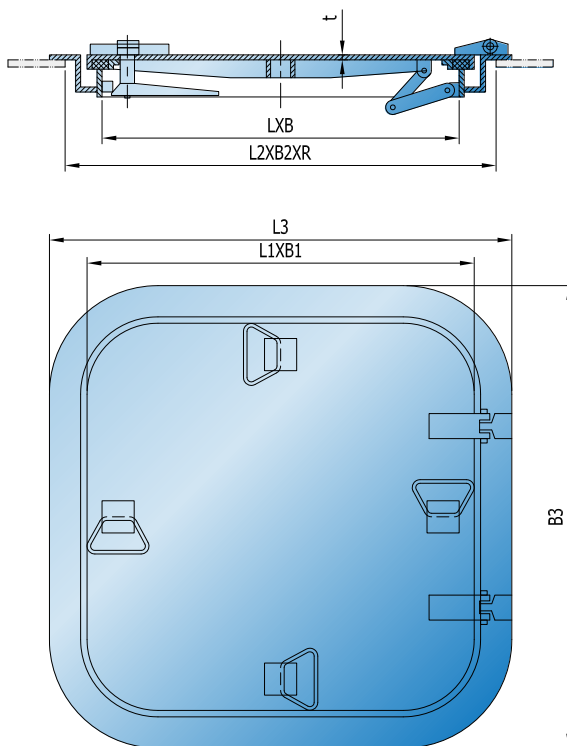
铝质埋入式水密舱口盖 Aluminium Flush Type Weathertight Hatch Cover

263WHL005FL-00
(参照/REFER TO CB 958-80)

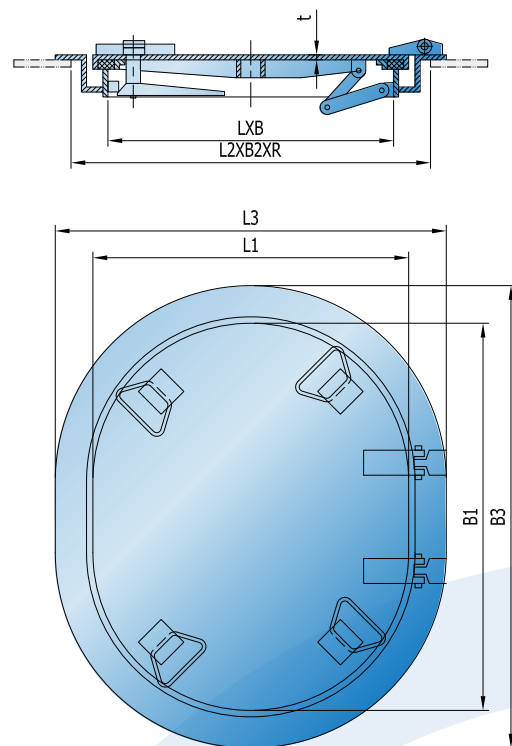
适用于舰船舱室内主要通道或需要保持与甲板平直的部位，具有重量轻、密性好、启闭灵活等特点。

USED IN MAIN PASSAGE WAY OF SHIP CABIN OR DECK WHERE THE FLUSH IS NECESSARY, ITS ADVANTAGE IS LIGHT WEIGHT, GOOD WEATHERTIGHTNESS AND FLEXIBLE-OPENING.

A型 方形埋入式水密舱口盖
TYPE A SQUARE



B型 椭圆形埋入式水密舱口盖
TYPE B ELLIPTIC



类型 TYPE	通孔尺寸 CLEAR SIZE LXB	盖板尺寸 COVER PLATE SIZE L1XB1	甲板开口 DECK OPENING SIZE L2XB2	外形尺寸 OUTLINE SIZE L3XB3	mm
					t
A	500X500	536X536	580X580X130	646X646	4
	600X600	636X636	680X680X140	746X746	
B	400X500	436X536	480X580	546X646	
	450X600	486X632	530X680	596X746	

注：型号A 600X600的铝质舱口盖参考重量为26.3kg。

The reference weight for A 600X600 263WHL005FL-00 is 26.3kg.

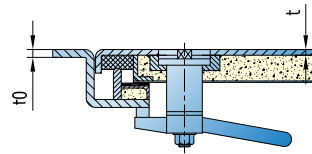
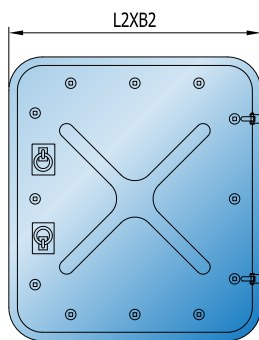
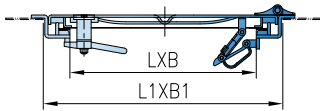


L15 级防火舱口盖 L15 Class Hatch Cover

263WHL001F-00

适用于舰船舱室内主要通道或需要保持与甲板平直的部位，具有重量轻、密性好、启闭灵活等特点。

USED IN MAIN PASSAGE WAY OF SHIP CABIN OR DECK WHERE THE FLUSH IS NECESSARY, ITS ADVANTAGE IS LIGHT WEIGHT, GOOD WEATHERTIGHTNESS AND FLEXIBLE-OPENING.



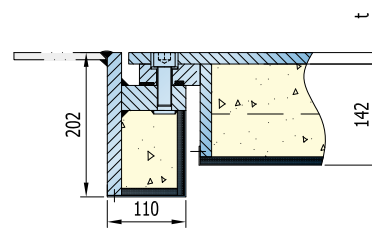
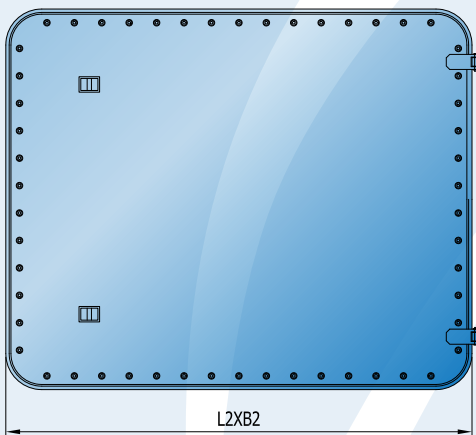
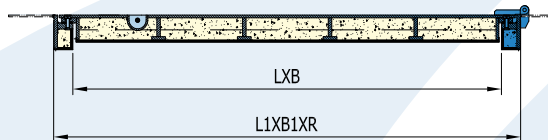
通孔尺寸 CLEAR SIZE LXB	甲板开口 DECK OPENING SIZE L1XB1XR	外形尺寸 OUTLINE SIZE L2XB2	mm	
			t	t0
600X600	790X790XR195	870X870	8	11
600X800	790X990XR195	870X1070		
800X1200	990X1390XR195	1070X1470		
1000X1400	1190X1590XR195	1270X1670		
1500X1750	1690X1940XR195	1770X2020		

注：型号800X1200的水密舱口盖参考重量为278kg。

The reference weight for 800X1200 263WHL001F-00 is 278kg.

A60 级埋入式水密舱口盖 A60 Class Flush Type Watertight Hatch Cover

263WHL701-00



通孔尺寸 CLEAR SIZE LXB	甲板开口 DECK OPENING SIZE L1XB1XR	外形尺寸 OUTLINE SIZE L2XB2	t	水压 WATER PRESSURE MPa
				mm
600X600	824X824XR212	820X820	16	0.10
800X1200	1024X1424XR212	1020X1420		0.15
1500X1750	1724X1974XR212	1720X1970		0.20
2500X2000	2724X2224XR212	2720X2220		

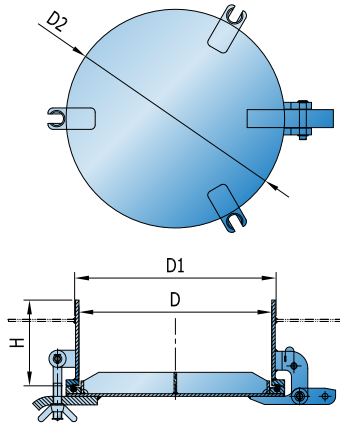
注：型号800X1200的水密舱口盖参考重量为880kg。

The reference weight for 800X1200 263WHL701-00 is 880kg.



○ A0 级防火缆绳舱口盖 A0 Class Rope Hatch Cover

263WHL023-00



通孔尺寸 SIZE OF CLEAR OPENING D	开口尺寸 CUT OPENING SIZE D1	外形尺寸 OUTLINE SIZE D2	盖板厚 围板尺寸		
			THK. t	THK. t0	H
φ 120	φ 180	φ 140	6	8	200
φ 200	φ 260	φ 220	6	8	450
φ 300	φ 360	φ 320	6	8	600
φ 350	φ 410	φ 370	6	8	1000
φ 400	φ 460	φ 420	6	8	
φ 450	φ 510	φ 470	6	8	

注：型号 φ 450-200 的水密舱口盖参考重量为 62kg。

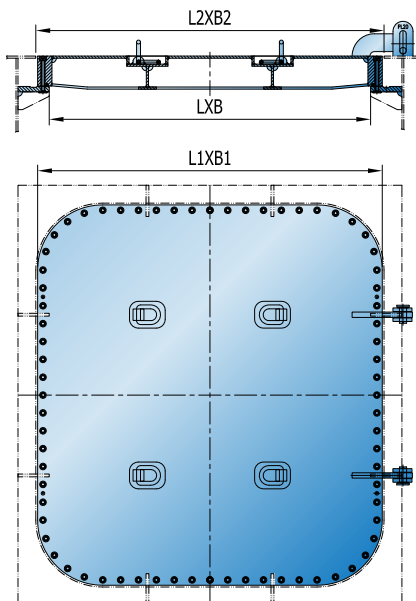
The reference weight for φ 450-200 263WHL023-00 is 62kg.

○ A0 级埋入式水密舱口盖 A0 Class Flush Type Watertight Hatch Cover

263WHL018-00

甲板重载型水密舱口盖，允许叉车运行。

HEAVY-DECK-LOAD WATERTIGHT HATCH. ALLOWING PASS OF FORKLIFT



通孔尺寸 CLEAR SIZE	盖板尺寸 SIZE OF COVER	甲板开口 DECK OPENING SIZE		t	水压 WATER PRESSURE MPa
		L2XB2	R		
LXB	L1XB1	L2XB2	R		
600X600	730X730	750X750	R300	12	0.10
1000x800	1090X930	1110X950			0.20
1200X1200	1930X1930	1950X1950	R200	16	0.30
1600X1600	1730X1730	1750X1750			0.40
1800X1800	1930X1930	1950X1950	R25		
1800X2000	1930X2130	1950X2150			

注：型号 1200X1200X16 的水密舱口盖参考重量为 1245kg。

The reference weight for 1200X1200X12 263WHL018-00 is 1245kg.

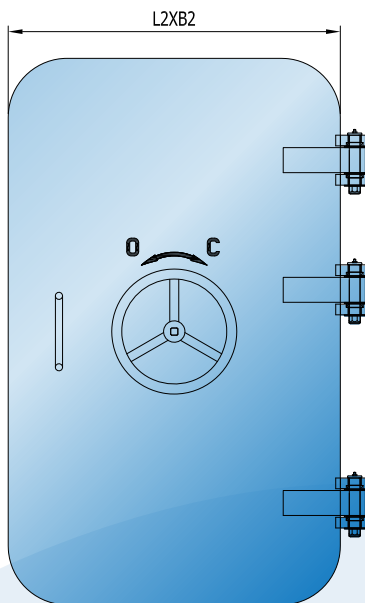
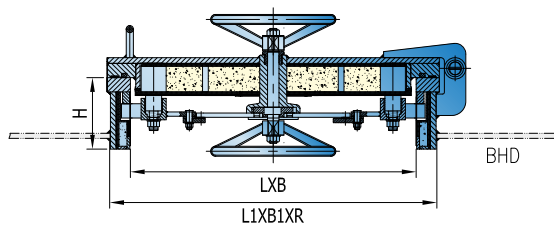


A60 级防火水密舱口盖 A60 Class Watertight Hatch Cover

263WHL702-00

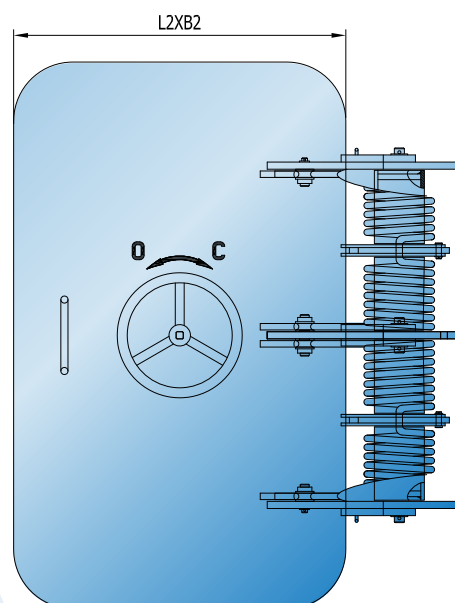
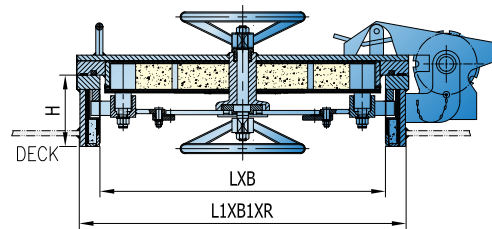
A型 竖直舱壁安装方式

TYPE A VERTICALLY INSTALLED ON BULKHEAD



B型 水平甲板安装方式

TYPE B HORIZONTAL INSTALLED ON DECK



类型 TYPE	通孔尺寸 CLEAR SIZE		开口尺寸 CUT OPENING SIZE		外形尺寸 OUTLINE SIZE		t	H	水压 WATER PRESSURE MPa
	LXB	L1XB1XR	L2XB2	L2XB2	L2XB2				
A	600X800	708X908XR154	730X930	730X930	12	200	0.20		
	800X800	908X908XR154	930X930	930X930		250			
	1000X1000	1108X1108XR154	1130X1130	1130X1130		450			
B	1200X1200	1308X1308XR154	1330X1330	1330X1330	16	450	0.40		
	1200X1400	1308X1508XR154	1330X1530	1330X1530		600		0.50	

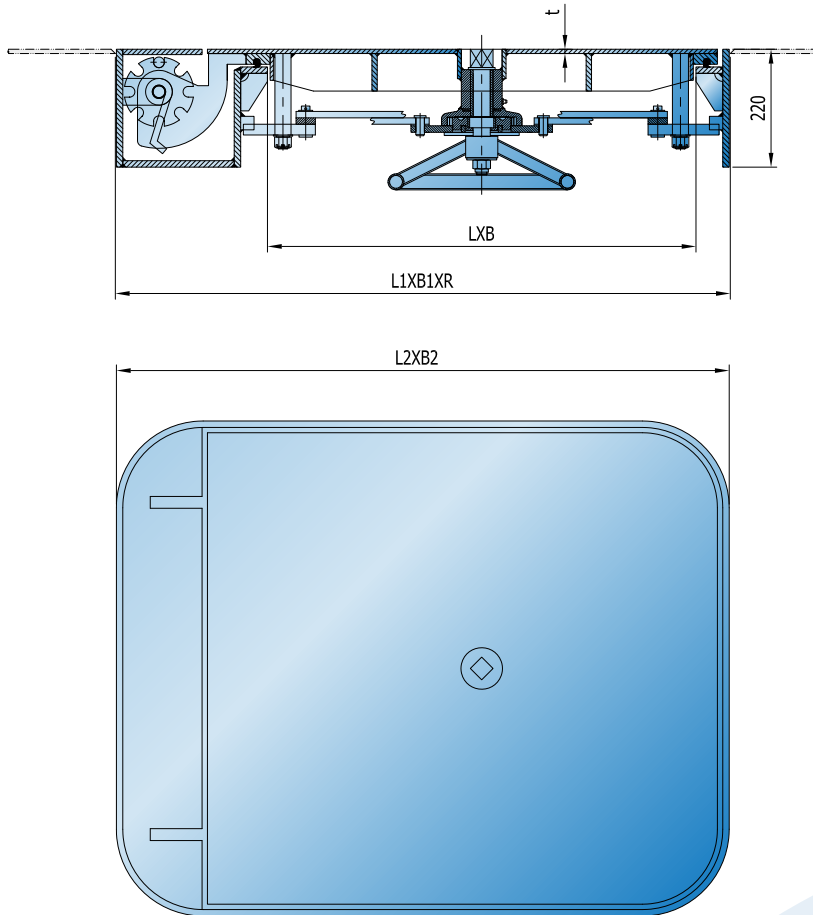
注：型号A 600X800X12-250的水密舱口盖参考重量为315kg。

The reference weight for A 600X800X12-250 263WHL702-00 is 315kg.



埋入式弹簧铰链水密舱口盖 Flush Type Watertight Hatch Cover (Spring Hinged)

263WHL003F-00



通孔尺寸 CLEAR SIZE	甲板开口 DECK OPENING SIZE	外形尺寸 OUTLINE SIZE	t	水压 WATER PRESSURE MPa
LXB	L1XB1XR	L2XB2		
600X600	948X728XR164	944X724	8	0.07
600X800	948X928XR164	944X924		0.10
800X600	1148X728XR164	1144X724		0.12
800X800	1148X928XR164	1144X924		

注：型号800X800的水密舱口盖参考重量为315kg。

The reference weight for 800X800 263WHL003F-00 is 315kg.



公司产品分别获得CCS、LR、ABS、BV、DNV-GL、NK等船级社及欧共体EC的产品形式认可证书。产品的认可不仅是企业获得向国外市场开拓的基础，也为公司产品质量的持续改进提供必须的保障。

Our products have gained product/type approval certificates from CCS, LR, ABS, BV, DNV-GL, NK, and so on. The approval certification of products is not only the base to enter the global market but also the guarantee of continuous quality improvement.





公司已经获得各类资质认证，被评为国家级高新技术企业，建立省级博士后工作站和工程技术中心，获得包括国家重点新产品、国家重点创新基金和国家火炬计划在内的科技立项。现获得授权的发明、软件著作权近百项。起草制定了《手动铰链式耐压水密门》、《船用钢制隔音阻气门》、《舰船用铝蜂窝版式家具规范》等国家标准和行业标准。

As the state-level high and new-tech enterprise, Delin has obtained various qualification certificates, established postdoctoral centre and engineering technology centre. Delin holds the scientific and technology approved projects including National New Key Product, National Key Innovation Fund, National Torch Plan, etc. Along with up to 100 authorised patents and software copyrights, Delin has drafted the national and industry standard as "Manual hinged watertight door", "Steel soundproof gastight doors for ship", "Specification for ship aluminium-honeycomb-plate furniture".



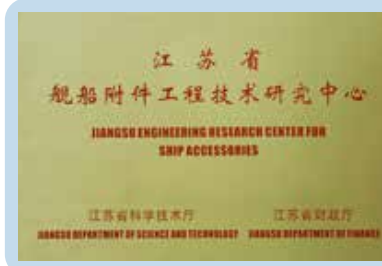
国家重点新产品证书
Certificate for State Key New Product



科技型企业证书
Certificate for Technology Enterprise



高新技术企业
High and New-tech Enterprise



工程技术中心
Provincial Level Engineering
& Technology Centre



高新技术产品认定证书
Certificate for High-tech Product



博士后工作站
Postdoctoral Centre





公司产品除获得CCS、LR、ABS、BV、DNV-GL、NK等船级社认证外，还兼备第三方机构的测试报告，包括防火试验报告、隔声测试报告、低温试验报告、防弹测试报告等等。产品的认可不仅是企业开拓市场的基石，更是满足客户需求、提高产品质量和服务水平的保障。

In addition to certification from CCS, ABS, LR, DNV-GL, KR, NK, RS and other classification societies, Delin products are also certified by third-party agencies in many aspects, including fire test, sound insulation test, low temperature test, bulletproof test and so on. Product certification is not only the cornerstone of market development, but also the safeguard to meet customer needs, improve product quality and service level.

