

METAL CEILINGS

CLIP-IN CEILING SYSTEM

KEY FEATURES

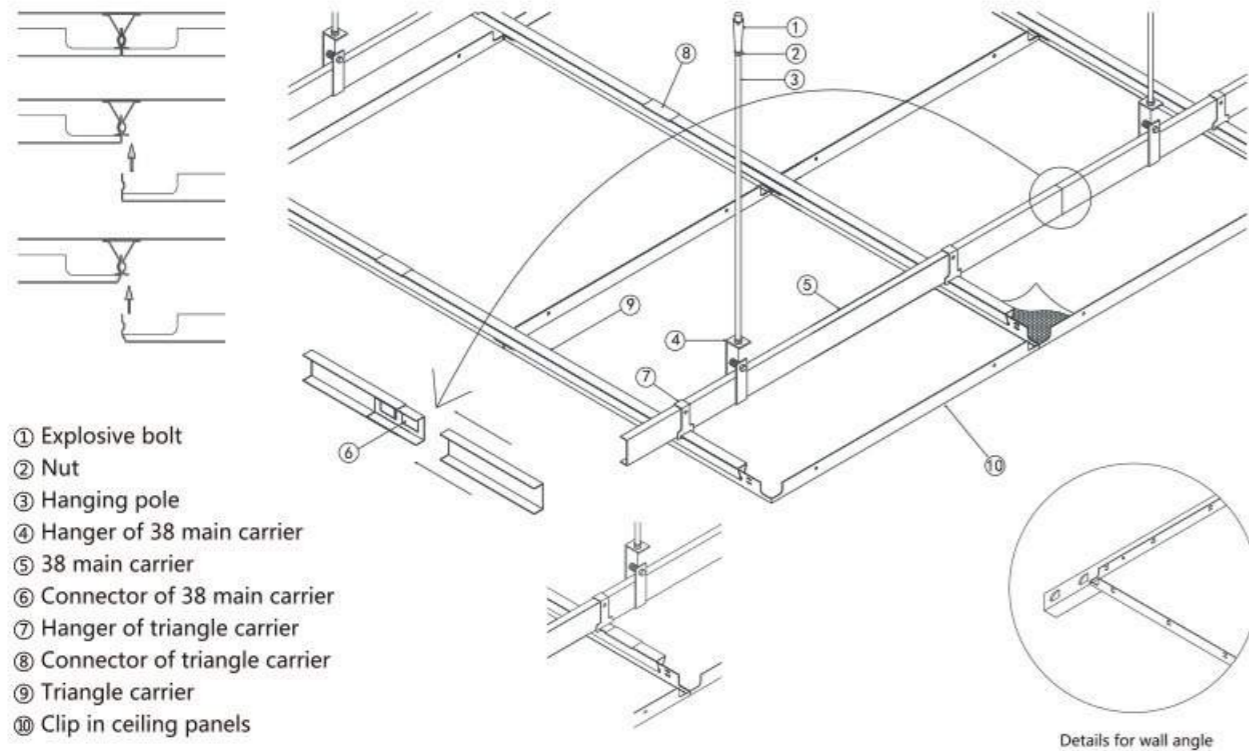
- * Clip-in ceiling system is using a concealed suspension system, and features a stable structure and smooth surface
- * Each panel is individually dismountable allowing for easy routine maintenance and installation
- * Different perforation patterns are offered to achieve diversified visual effects
- * Acoustic control: the combination of using perforated ceiling tiles with non-woven acoustic tissue or other insulation materials ensures superior sound absorption
- * Suitable for Commercial offices, hotels, schools, hospitals etc.

SPECIFICATIONS

Model No.	Standard dimensions	Perforation patterns
CI-300	300 × 300 mm	See Page 43-44 for all perforation patterns
CI-400	400 × 400 mm	
CI-500	500 × 500 mm	
CI-600	600 × 600 mm	
CI-3060	300 × 600 mm	
CI-30120	300 × 1200 mm	
CI-60120	600 × 1200 mm	

* Other sizes are available upon request

Suspension Drawing: Clip-in Ceiling System



METAL CEILINGS LAY-IN CEILING SYSTEM

KEY FEATURES

- * Lay-in ceiling system is using an exposed suspension system and accentuate the T-grid pattern
- * Ceiling panels lay into a standard T-grid and each panel can be easily installed and demounted
- * Different T-grids and different height of ceiling panels are offered to achieve different visual effects
- * Different perforation patterns are offered to achieve diversified visual effects
- * Acoustic control: the combination of using perforated ceiling tiles with non-woven acoustic tissue or other insulation materials ensures superior sound absorption
- * Suitable for Commercial offices, supermarket, laboratories etc.



SPECIFICATIONS

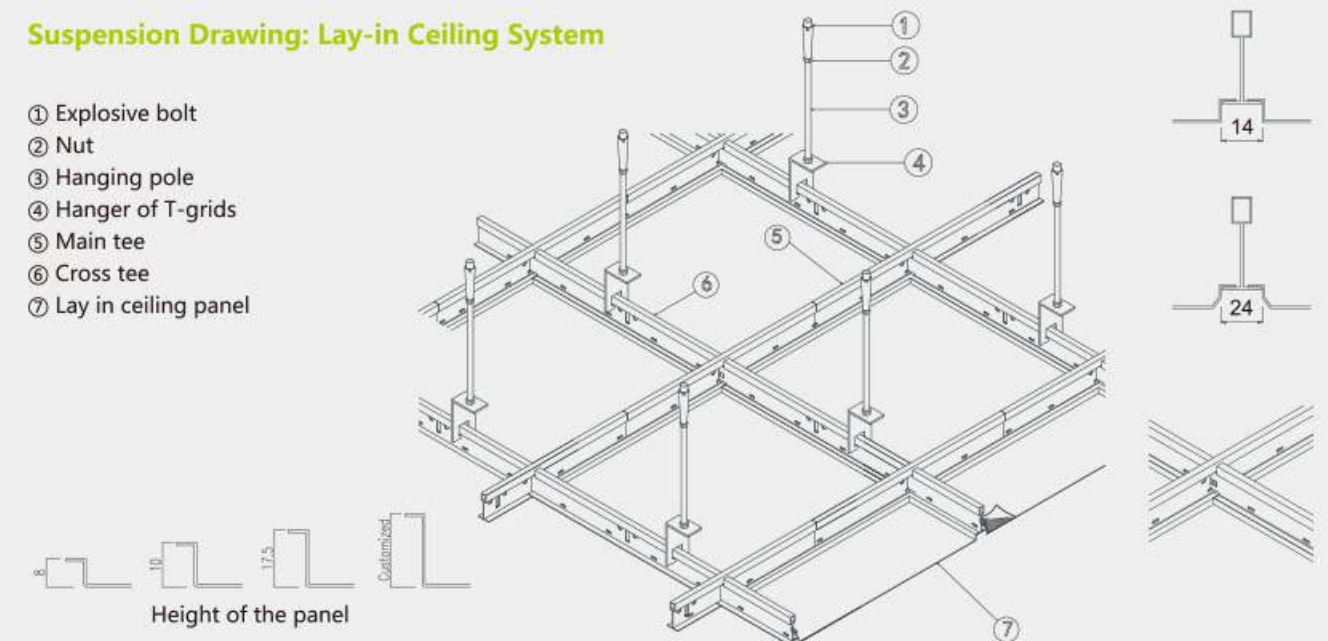
Model No.	Standard dimensions	Perforation patterns
LI-585	Up: 595 × 595 mm	See Page 43-44 for all perforation patterns
	Down: 585 × 585 mm	
LI-575	Up: 595 × 595 mm	
	Down: 575 × 575 mm	
LI-30120	Up: 298 × 1198 mm	
	Down: 285 × 1185 mm	
LI-60120	Up: 598 × 1198 mm	
	Down: 585 × 1185 mm	

* Other sizes are available upon request



Suspension Drawing: Lay-in Ceiling System

- ① Explosive bolt
- ② Nut
- ③ Hanging pole
- ④ Hanger of T-grids
- ⑤ Main tee
- ⑥ Cross tee
- ⑦ Lay in ceiling panel



METAL CEILINGS

LINEAR CEILING SYSTEM - C TYPE



KEY FEATURES

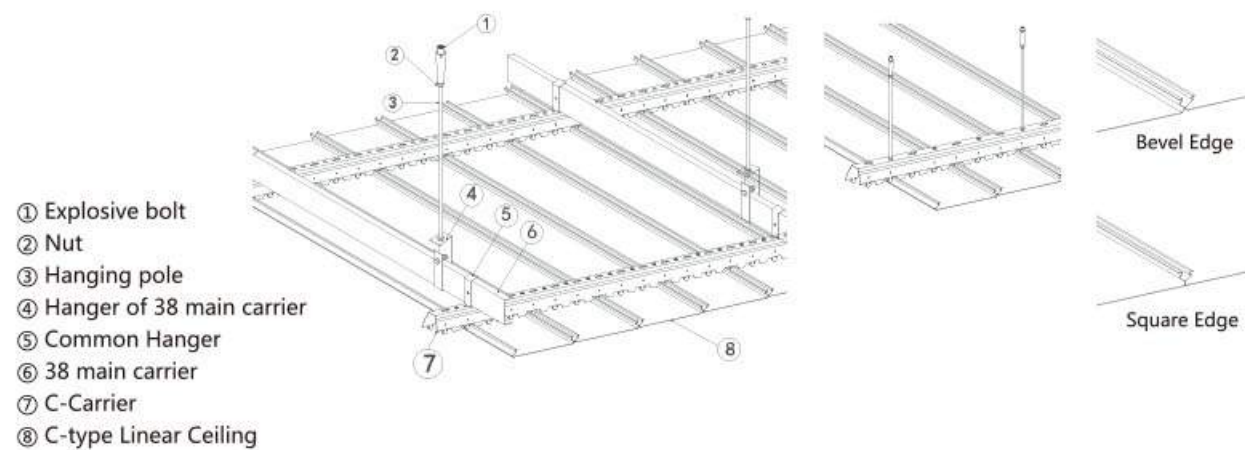
- * C type Linear ceiling system is using a concealed suspension system with C carrier
- * Length can be customized with a maximum of 6000mm
- * Square edge & Bevel edge are available to achieve different visual effects
- * Suitable for hotels, stores, kitchens, toilets, corridors etc.

SPECIFICATIONS

Model No.	Standard width	Perforation patterns
CL-50	50 mm	Perforation 1.8mm Perforation 2.3mm Perforation 3.0mm
CL-100	100 mm	
CL-150	150 mm	
CL-200	200 mm	
CL-300	300 mm	

* Other sizes are available upon request

Suspension Drawing: C Linear Ceiling System



METAL CEILINGS

LINEAR CEILING SYSTEM - S TYPE

KEY FEATURES

- * S type Linear ceiling system is using a concealed suspension system with S carrier
- * The panel is suspended by the special S carrier tightly and can be locked to make the panels to be windproof
- * Length can be customized with a maximum of 6000mm
- * Suitable for swimming stadiums, gas stations and other outdoor decoration areas

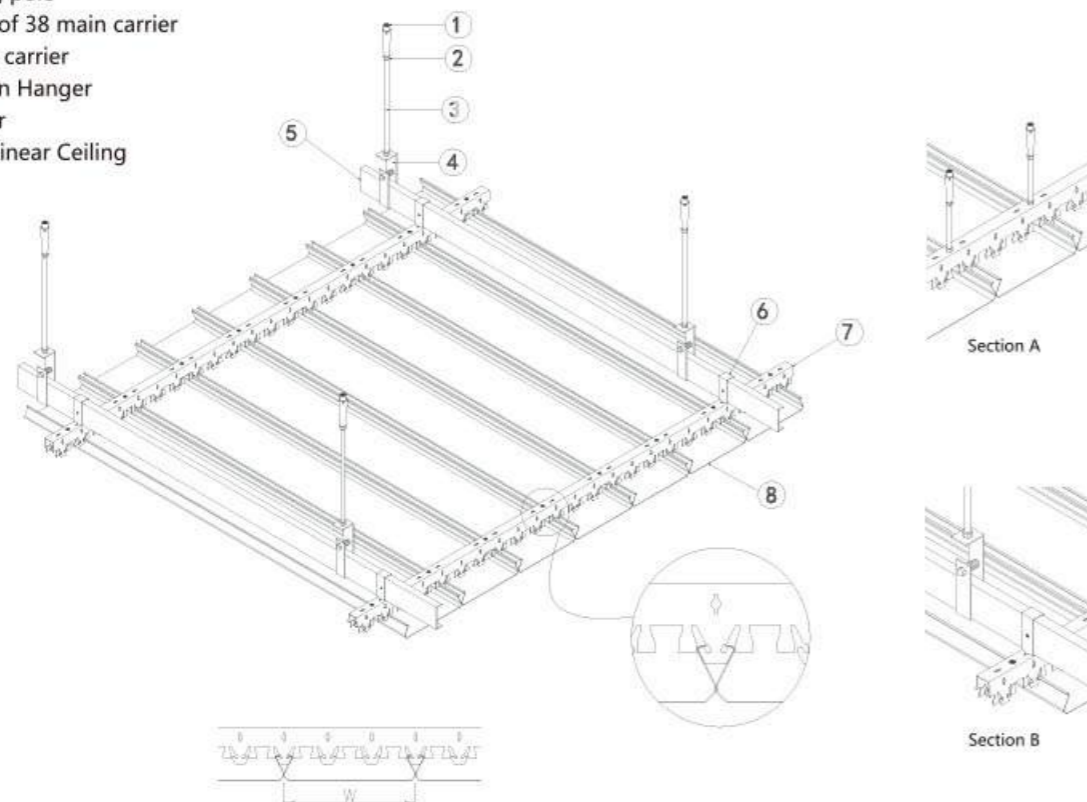
SPECIFICATIONS

Model No.	Standard width	Perforation patterns		
SL-200	200 mm	Perforation 1.8mm	Perforation 2.3mm	Perforation 3.0mm
SL-300	300 mm			

* Other sizes are available upon request

Suspension Drawing: S Linear Ceiling System

- ① Explosive bolt
- ② Nut
- ③ Hanging pole
- ④ Hanger of 38 main carrier
- ⑤ 38 main carrier
- ⑥ Common Hanger
- ⑦ S-Carrier
- ⑧ S-type Linear Ceiling



METAL CEILINGS BAFFLE CEILING SYSTEM

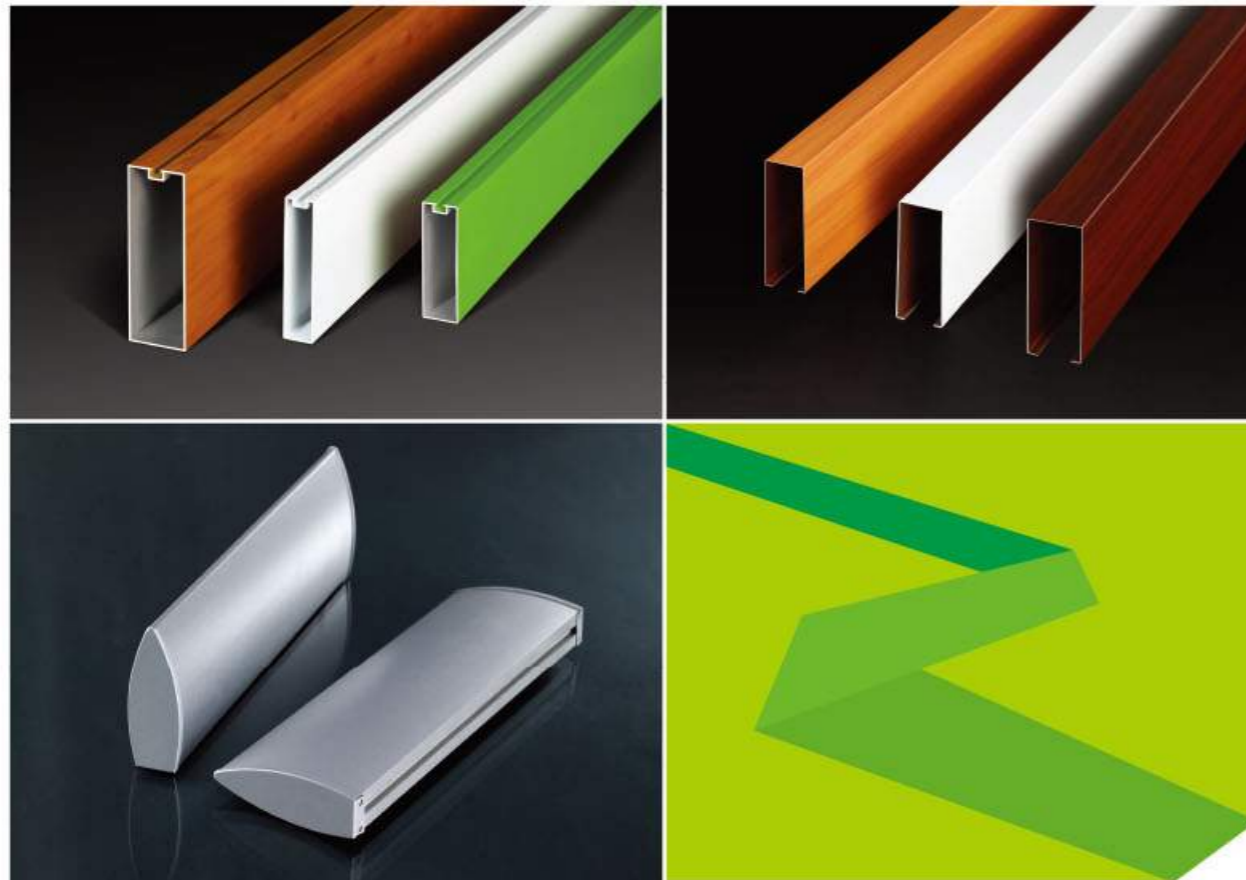
KEY FEATURES

- * Baffle ceiling system is using an open space suspension system
- * In order to meet varies designs, the length / width / height / spacing of the panels can be customized according to customers' preference
- * Straight design and curved design are available for both of vertical and horizontal installation
- * Matching with light fittings can achieve the better effect of the ceiling
- * Suitable for corridors, lobbies, restaurants, stations, airports etc

SPECIFICATIONS

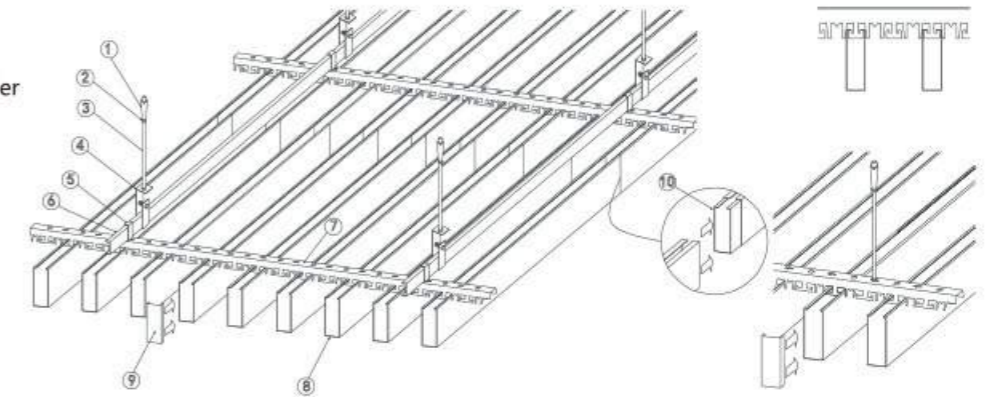
Model No.	Standard width	Standard Height
BCXX	25 mm	50 mm
	30 mm	75 mm
	50 mm	100 mm
	100 mm	120 mm
	200 mm	150mm

* Other sizes are available upon request



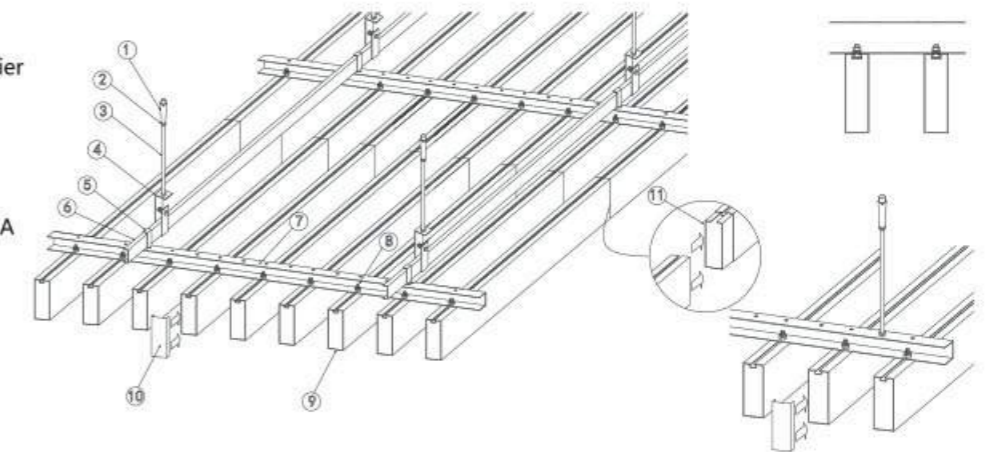
Suspension Drawing: Baffle Ceiling System-1

- ① Explosive bolt
- ② Nut
- ③ Hanging pole
- ④ Hanger of 38 main carrier
- ⑤ Common Hanger
- ⑥ 38 main carrier
- ⑦ Carrier
- ⑧ U-shape baffle ceiling
- ⑨ End cap
- ⑩ Connector



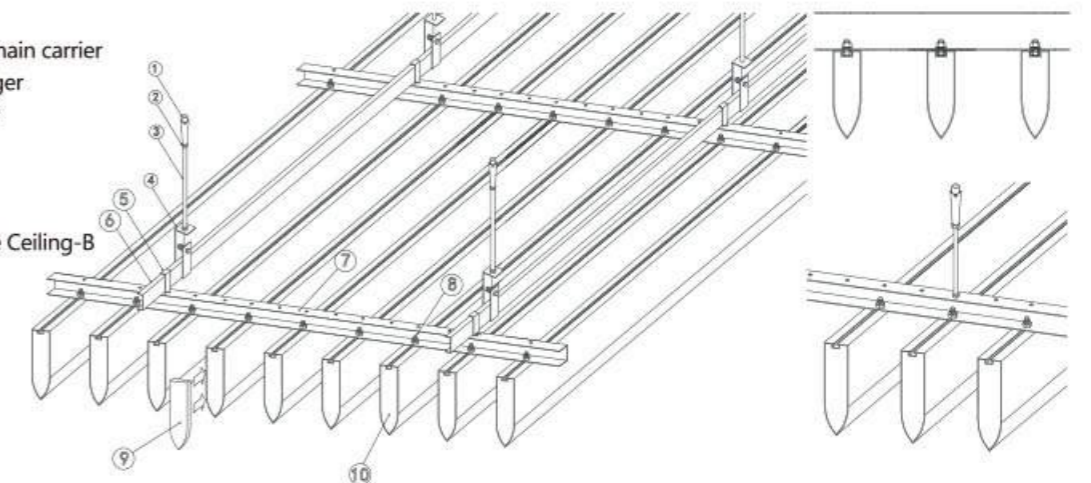
Suspension Drawing: Baffle Ceiling System-2

- ① Explosive bolt
- ② Nut
- ③ Hanging pole
- ④ Hanger of 38 main carrier
- ⑤ Common Hanger
- ⑥ 38 main carrier
- ⑦ Carrier
- ⑧ Bolt & Nut
- ⑨ Extruded baffle ceiling-A
- ⑩ End cap
- ⑪ Connector



Suspension Drawing: Baffle Ceiling System-3

- ① Explosive bolt
- ② Nut
- ③ Hanging pole
- ④ Hanger of 38 main carrier
- ⑤ Common Hanger
- ⑥ 38 main carrier
- ⑦ Baffle Carrier
- ⑧ Bolt & Nut
- ⑨ End Cap
- ⑩ Extruded Baffle Ceiling-B



METAL CEILINGS SCREEN CEILING SYSTEM

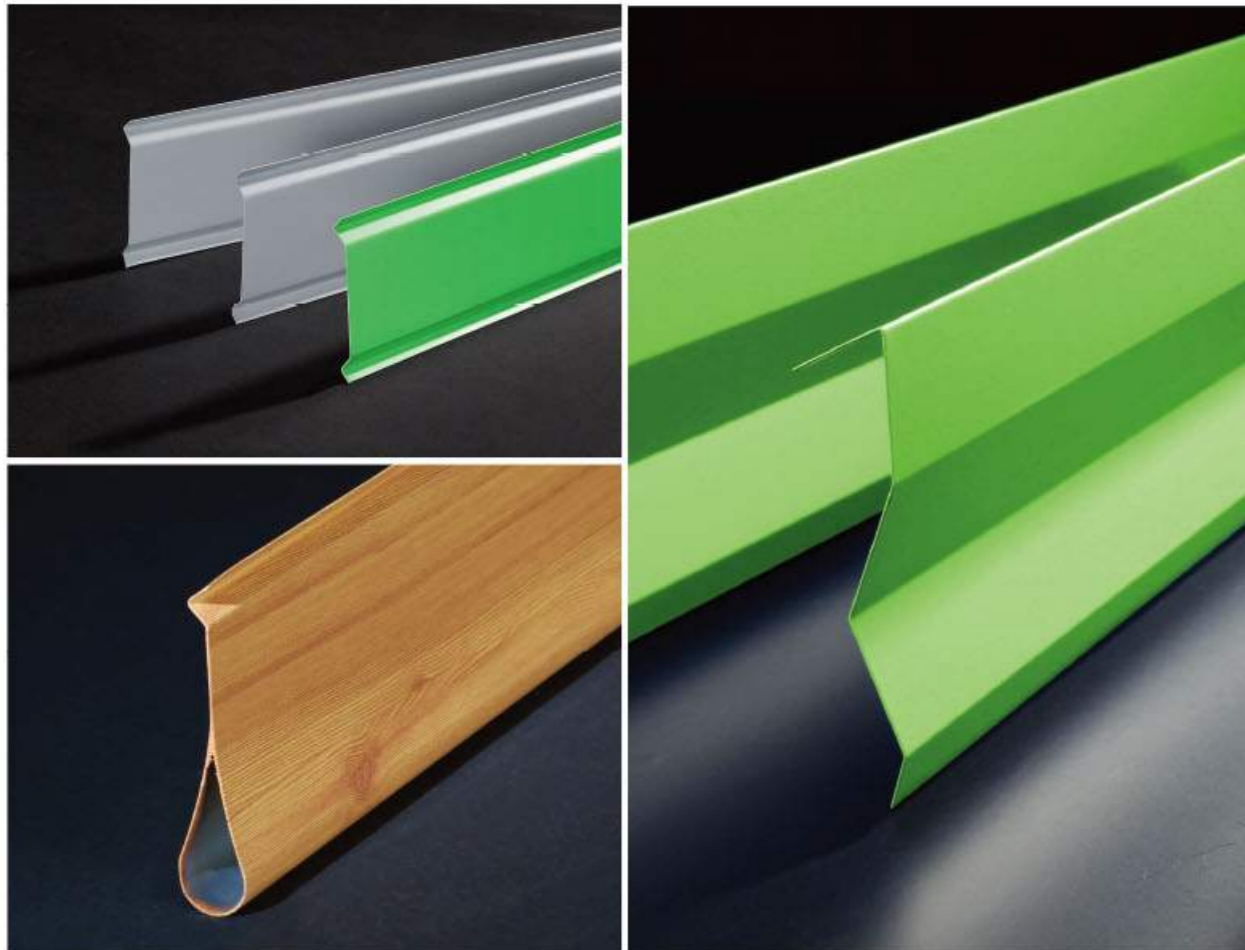
KEY FEATURES

- * Screen ceiling system is using an open space suspension system
- * In order to cooperate with varies designs, the size and spacing of the panels can be customized according to customers' preference.
- * Each ceiling component can be easily installed and demounted in order to simplify the procedures during inspection of equipments above the ceiling
- * Matching with light fittings can achieve the better effect of the ceiling
- * Suitable for corridors, lobbies, restaurants, stations, airports etc

SPECIFICATIONS

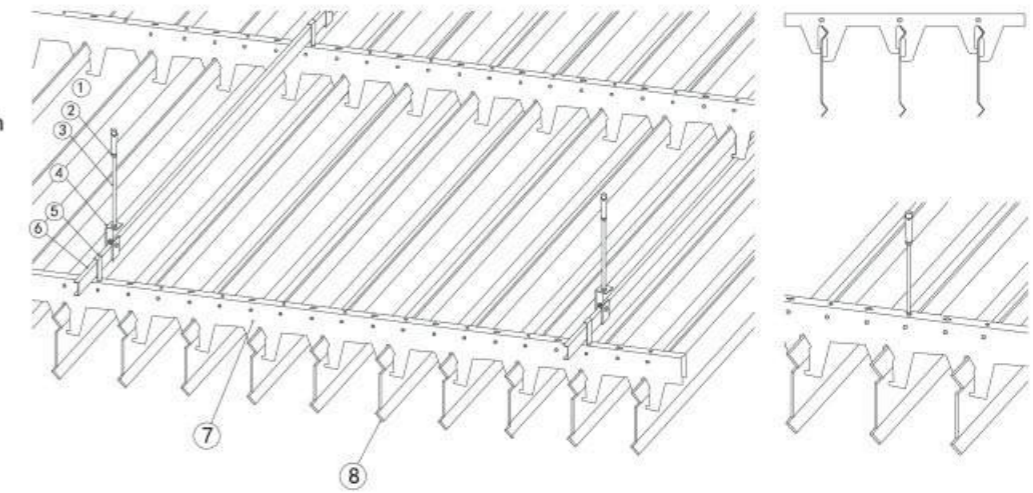
Model No.	Standard Height	Standard Thickness
SCXX	100 mm	0.6-1.0mm
	125 mm	
	150 mm	

* Other sizes are available upon request



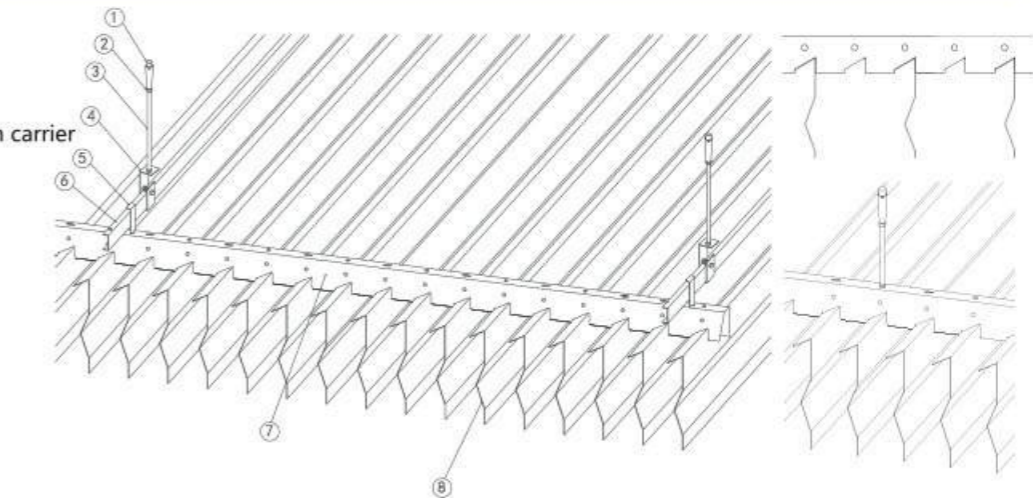
Suspension Drawing: Screen Ceiling System-1

- ① Explosive bolt
- ② Nut
- ③ Hanging pole
- ④ Hanger of 38 main carrier
- ⑤ Common Hanger
- ⑥ 38 main carrier
- ⑦ Screen Carrier-A
- ⑧ Screen Carrier-A



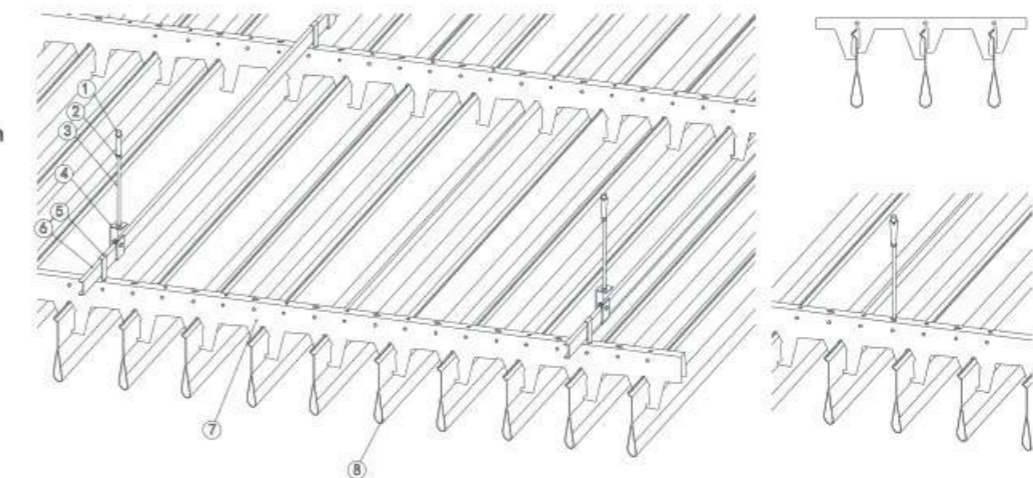
Suspension Drawing: Screen Ceiling System-2

- ① Explosive bolt
- ② Nut
- ③ Hanging pole
- ④ Hanger of 38 main carrier
- ⑤ Common Hanger
- ⑥ 38 main carrier
- ⑦ Screen Carrier-B
- ⑧ Screen Carrier-B



Suspension Drawing: Screen Ceiling System-3

- ① Explosive bolt
- ② Nut
- ③ Hanging pole
- ④ Hanger of 38 main carrier
- ⑤ Common Hanger
- ⑥ 38 main carrier
- ⑦ Screen Carrier-C
- ⑧ Screen Carrier-C



METAL CEILINGS

OPEN CELL CEILING SYSTEM

KEY FEATURES

- * Open cell ceiling system is using an open plan suspension system
- * The whole suspended ceiling is constructed by square cells or rectangular cells or triangle cells
- * Matching with light fittings can achieve the better effect of the ceiling
- * Suitable for corridors, stores, restaurants, stations, supermarkets etc

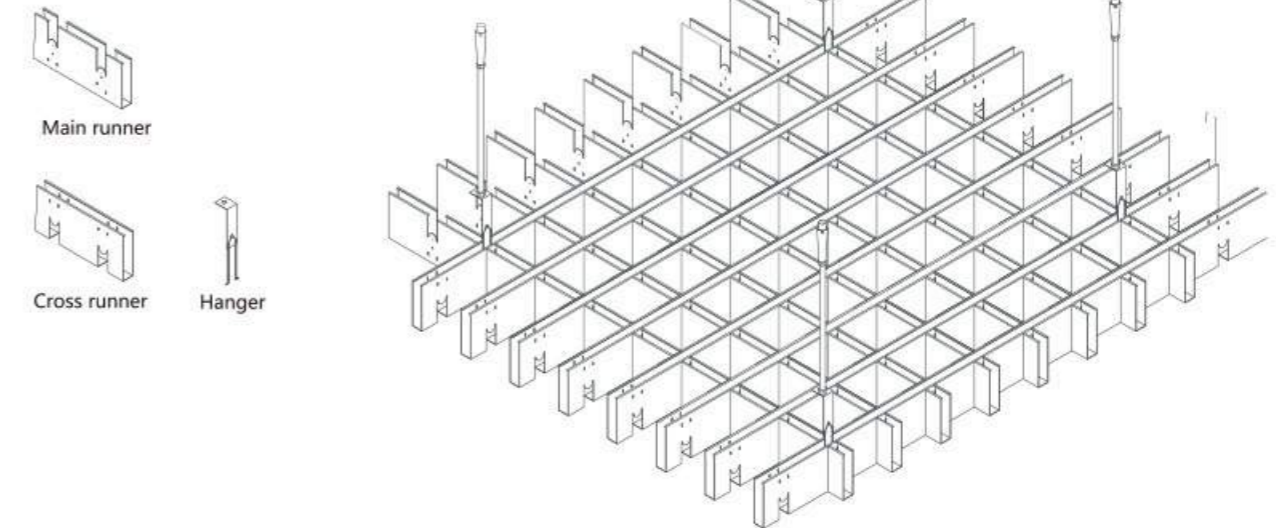
SPECIFICATIONS

Model No.	Standard width	Standard Height	Standard Cell Size
OCC	10 mm 15 mm 20 mm	30mm	50x50mm
		35mm	75x75mm
		40mm	100x100mm
		45mm	125x125mm
		50mm	150x150mm
		60mm	200x200mm
		80mm	300x300mm
		100mm	

* Other sizes are available upon request

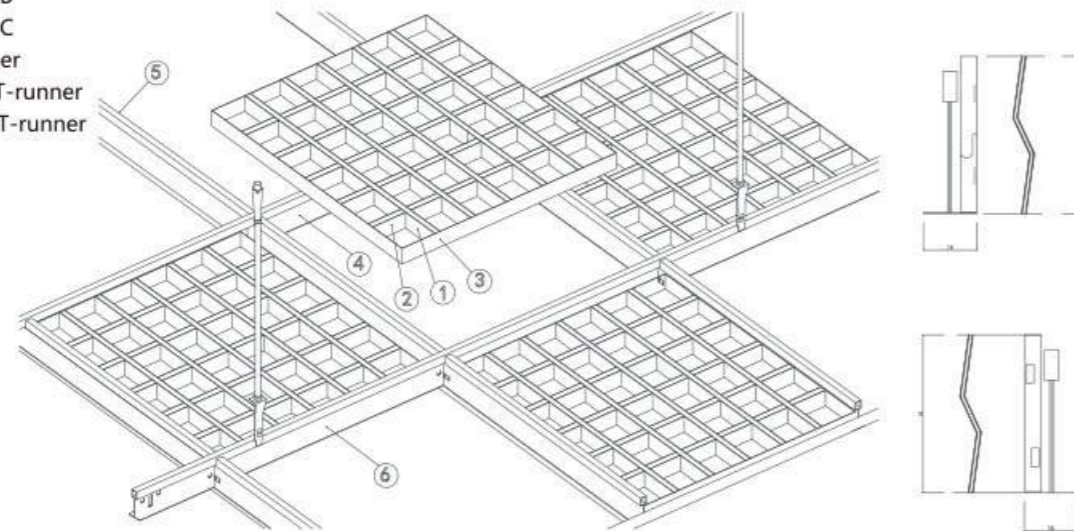
Suspension Drawing: Cell Ceiling System-2

- Explosive bolt
- Nut
- Hanging pole
- Hanger of Cell Ceiling
- Main runner
- Cross runner



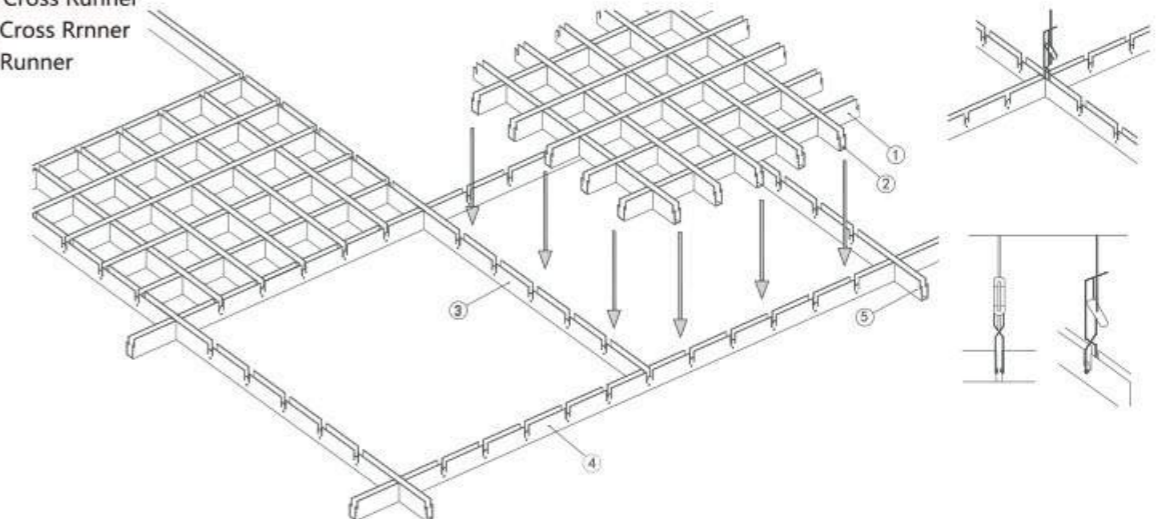
Suspension Drawing: Cell Ceiling System-1

- Cell Elenent A
- Cell Elenent B
- Cell Elenent C
- Main T-runner
- Long Cross T-runner
- Short Cross T-runner



Suspension Drawing: Cell Ceiling System-3

- Cell Elenent A
- Cell Elenent B
- Short Cross Runner
- Long Cross Rrunner
- Main Runner



METAL CEILINGS

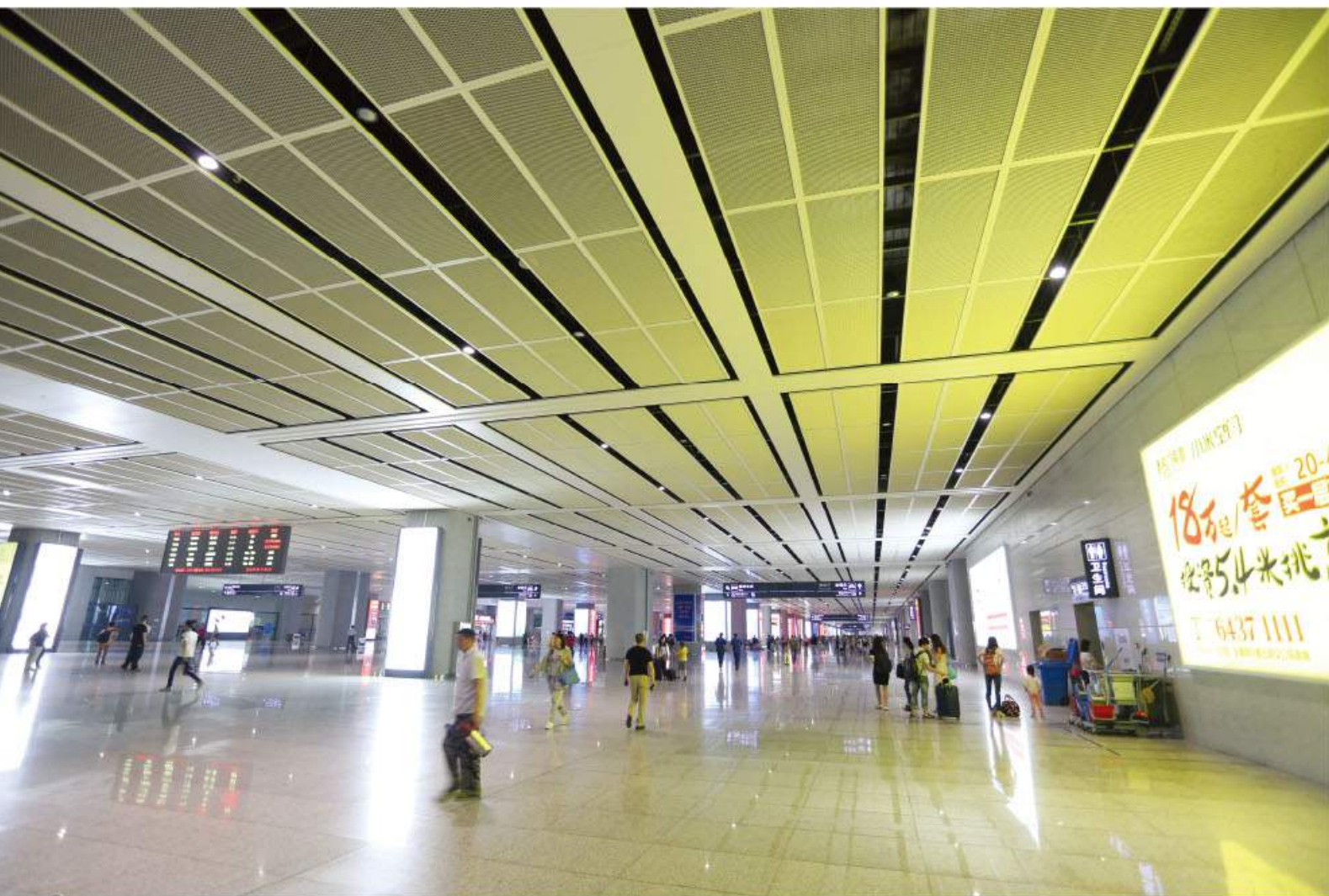
HOOK ON CEILING SYSTEM

KEY FEATURES

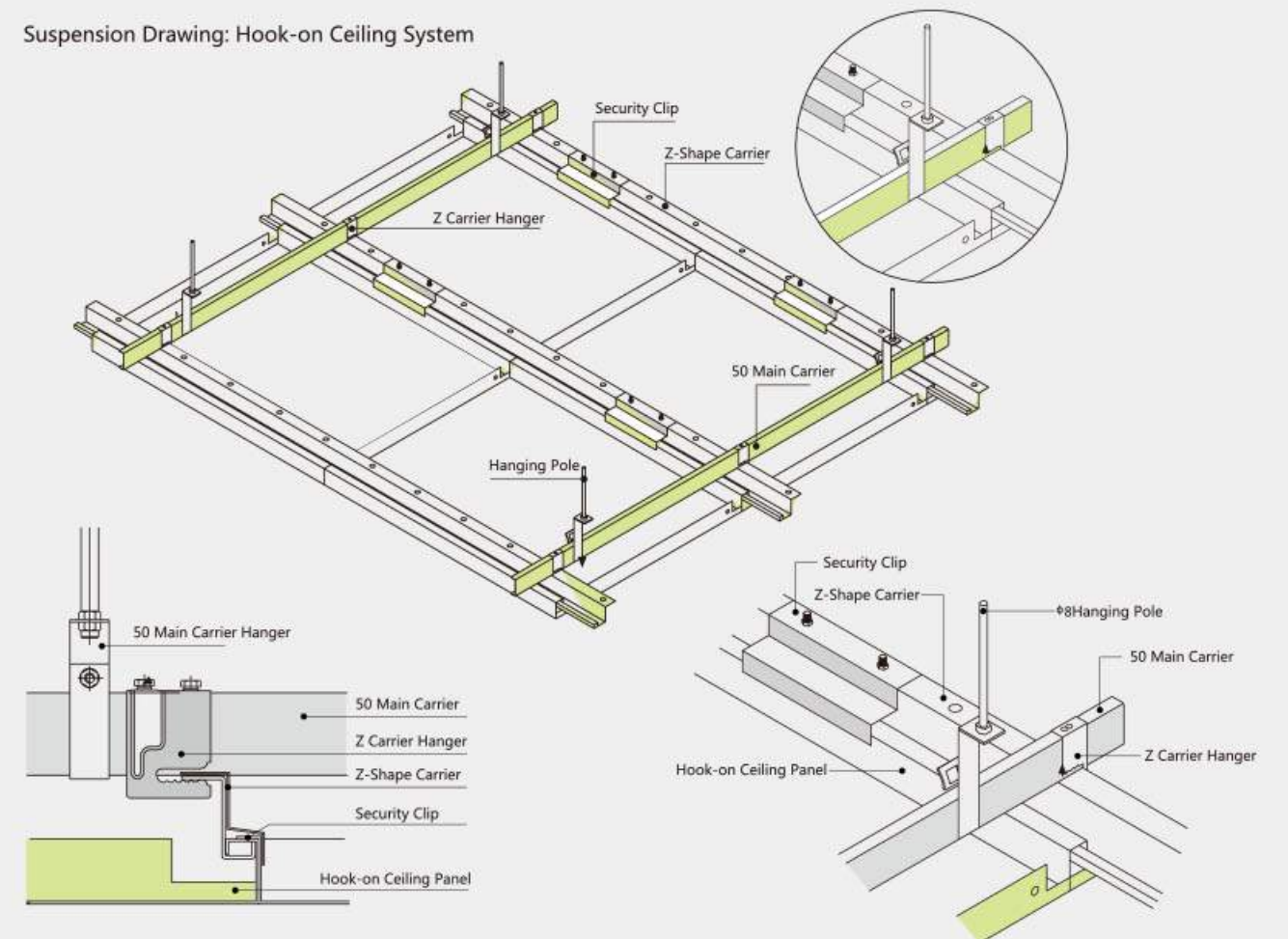
- *Hook-on ceiling system is a sealed ceiling design with customized sizes.
- *The panel is hooked on the Z-shape carrier tightly to hide the suspension parts in the ceiling. It is also installed with the security clip which can increase ability of windproof of the system.
- *Access panel can be used in order to solve the problem of inspection and maintenance like air-conditioning, electrical, fire prevention system.
- *Applications: Hotels, Hospitals, Corridors, Stations etc.

SPECIFICATIONS

Model No.	Standard dimensions	Thickness
HO60	600 X 600 mm	1.0-3.0 mm
HO60120	600 X 1200 mm	
HOC	Customized	



Suspension Drawing: Hook-on Ceiling System



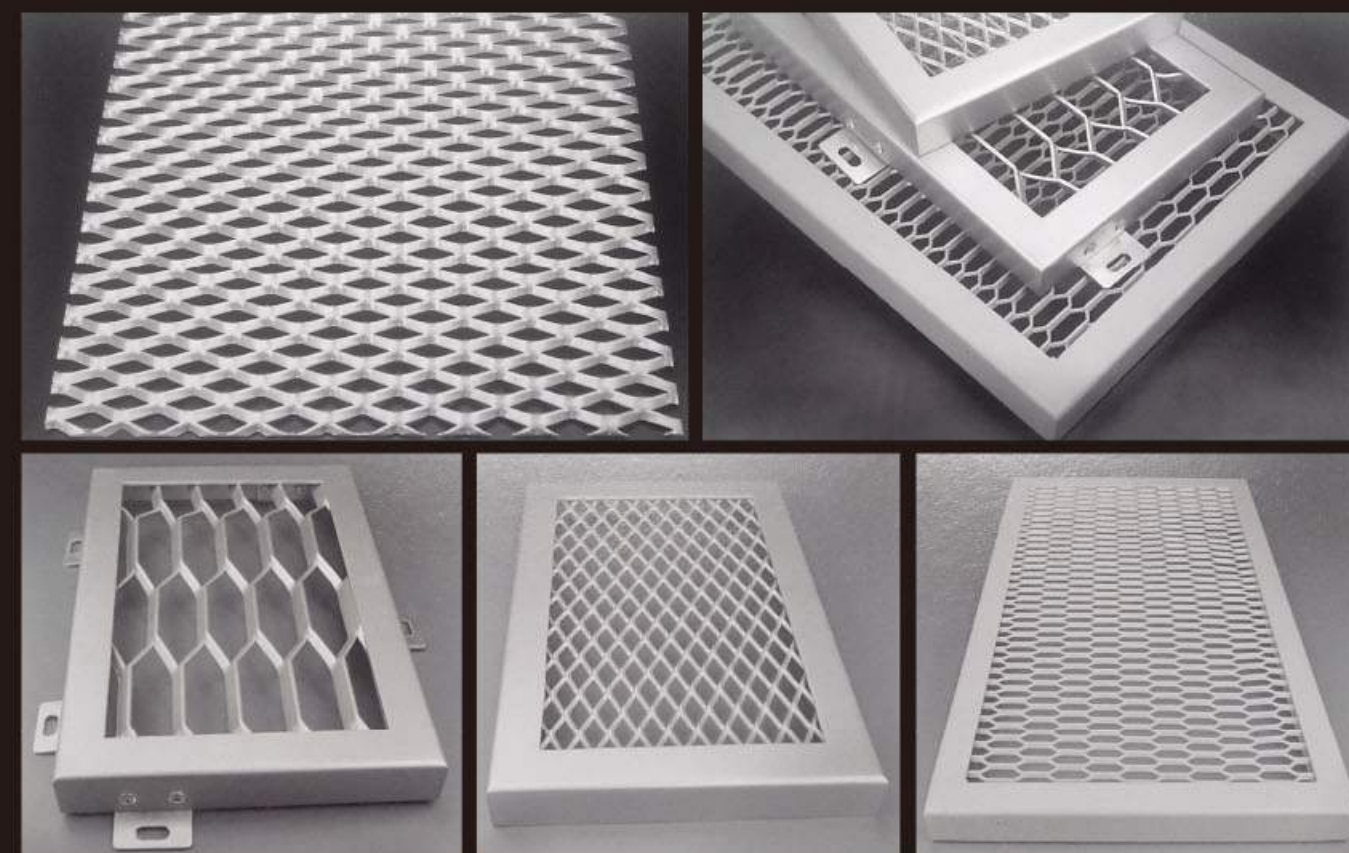
METAL CEILINGS MESH CEILING SYSTEM

KEY FEATURES

- * Mesh ceiling system is a kind of open ceiling design.
- * The mesh panel is laid on the visible T-shape main and cross runner individually to form the square or rectangle-shaped compartment in order to make the ceiling design multiplex. Special shape and sizes are also available.
- * A variety of mesh outlook available.
- * Mainly used in the large open public spaces like Subways, Airports, Stations, Exhibition centers etc.

SPECIFICATIONS

Model No.	Standard dimensions	Thickness
MC60	600 X 600 mm	1.0-3.0 mm
MC60120	600 X 1200 mm	
MCC	Customized	



ALUMINUM LOUVRES

84R SUN LOUVRE

System Description

84R Sun Louvre system is a real classic, used for applications on straight, curved or angled facades. The product has an elegant and light appearance with nicely rounded edges.

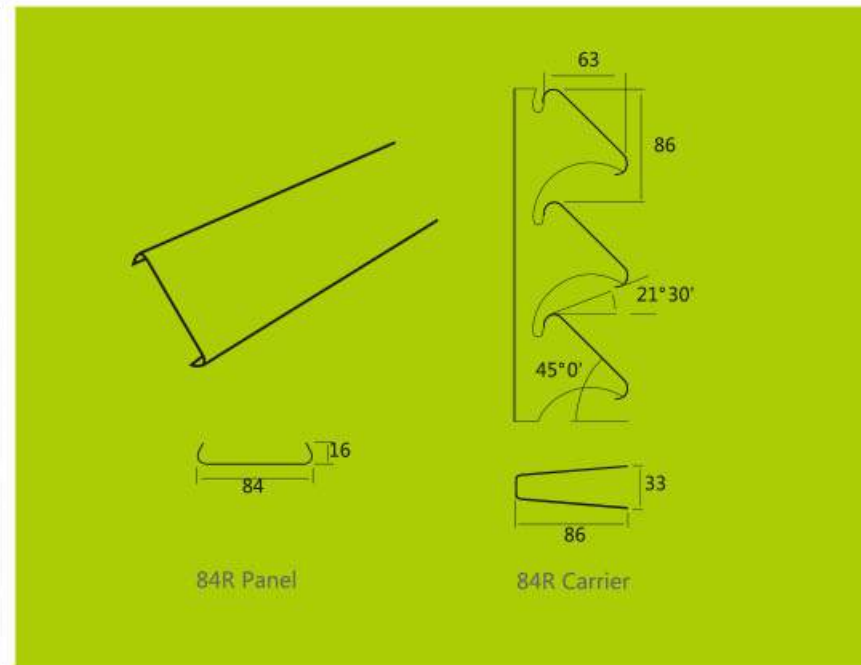
Practical Applications

-Horizontal 84R Sun Louvre system

For high sun angles the horizontal application assures a constant and reliable sun control system during sunny periods.

-Vertical 84R Sun Louvre system

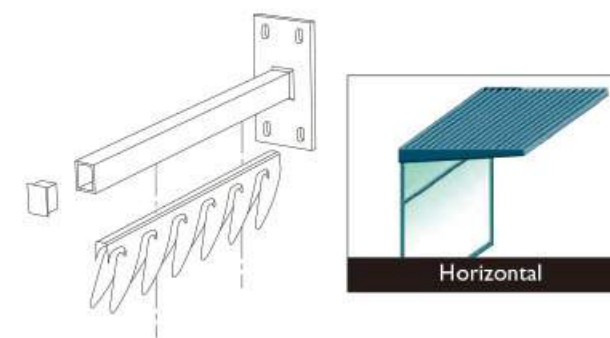
For lower sun angles, the vertical application allows a reliable sun control system with good visibility to the outside



Installation

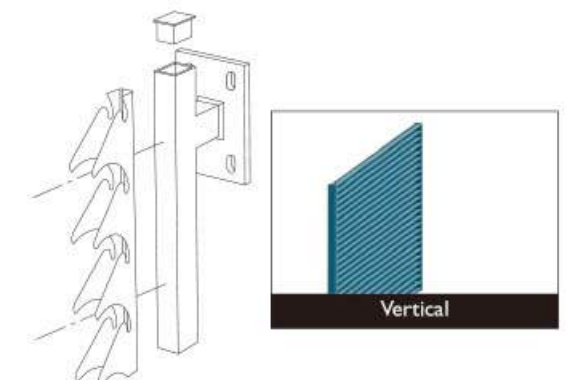
84R Sun Louvre system allows easy and quick installation with very few tools. The C-shaped panels lock onto the stringers with a positive click. Once the steel brackets have been fitted to the facade, the carrier profiles with stringers are easily fixed. Finally, the C-shaped panels are fitted to the carrier profiles in full length sections; cutting is only necessary at the end of the facade. The stringer allows the panel to be snapped into place with no tool required.

-Horizontal



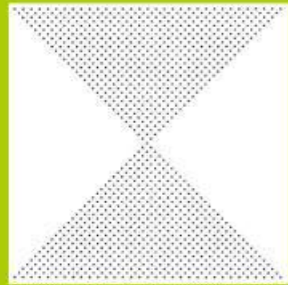
Stringer on tube bracket

-Vertical

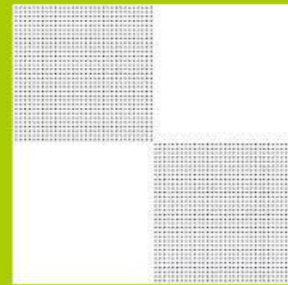


Stringer on tube bracket

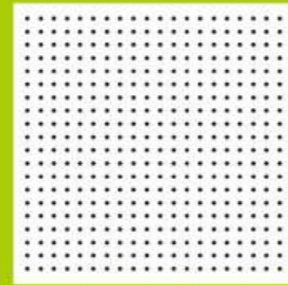
PERFORATION PATTERNS



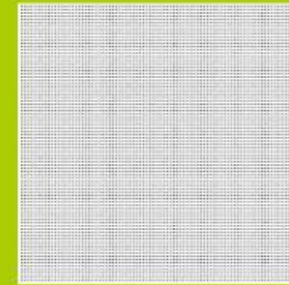
Code : MB6001-Φ 3



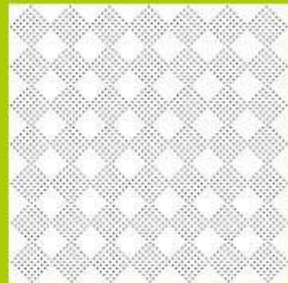
Code : MB6002-Φ 3



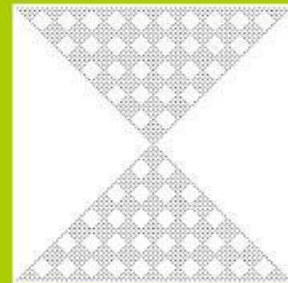
Code : MB6003-Φ 3



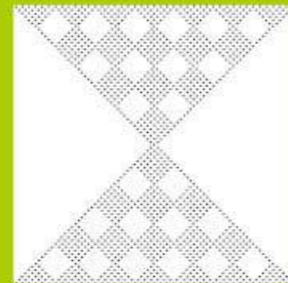
Code : MB6004-Φ 2.2



Code : MB6005-Φ 3



Code : MB6006-Φ 3



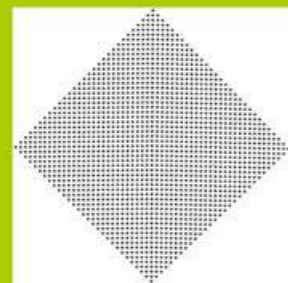
Code : MB6007-Φ 3



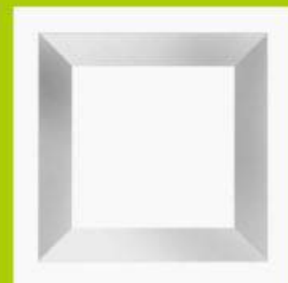
Code : MB6008-Φ 3



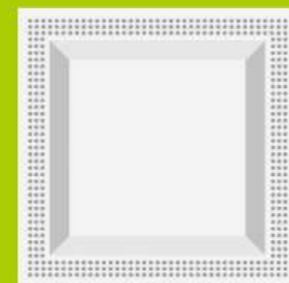
Code : MB6009-Φ 3



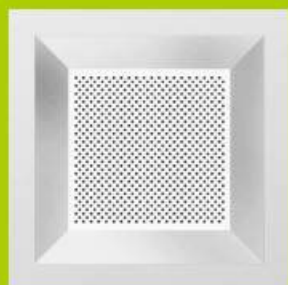
Code : MB6010-Φ 3



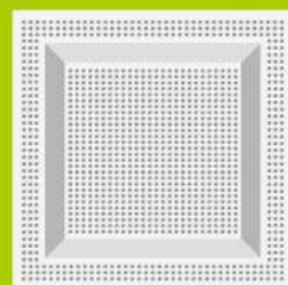
Code : MB6011-#



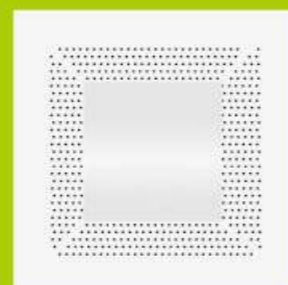
Code : MB6012-Φ 3#



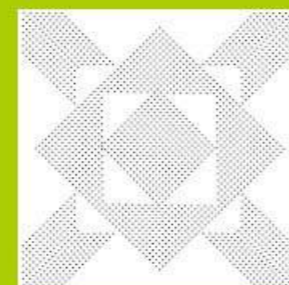
Code : MB6013-Φ 3#



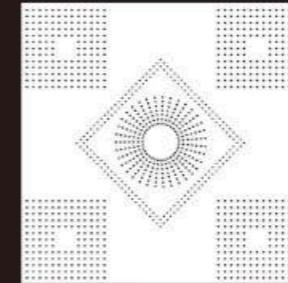
Code : MB6014-Φ 3#



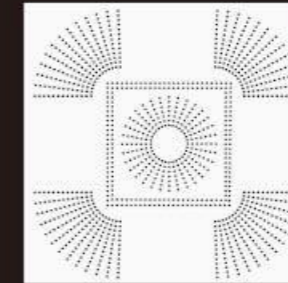
Code : MB6015-Φ 3#



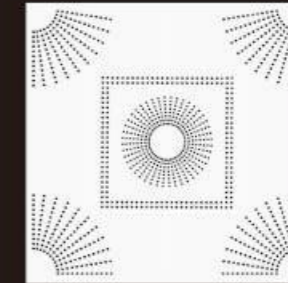
Code : MB6016-Φ 3



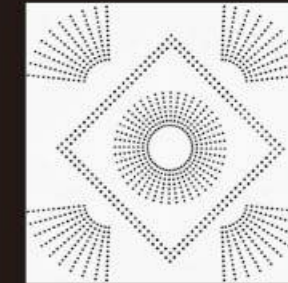
Code : MB6017-Φ 3



Code : MB6018-Φ 3



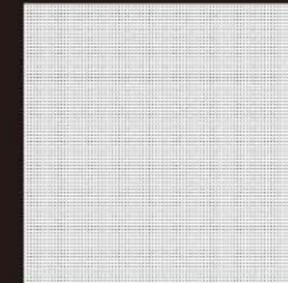
Code : MB6019-Φ 3



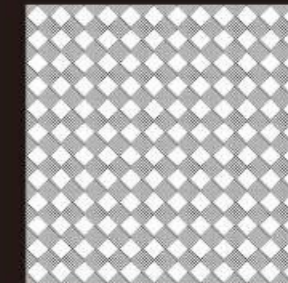
Code : MB6020-Φ 3



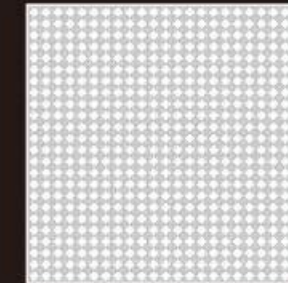
Code : MB6021-Φ 3



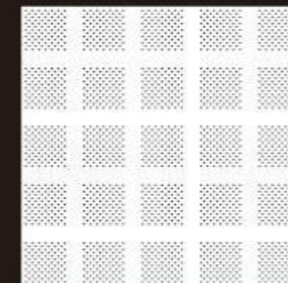
Code : MB6022-Φ 1.8



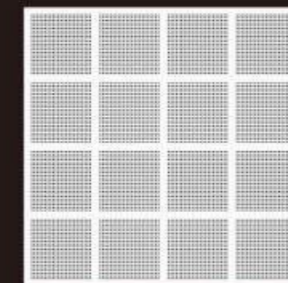
Code : MB6023-Φ 1.8



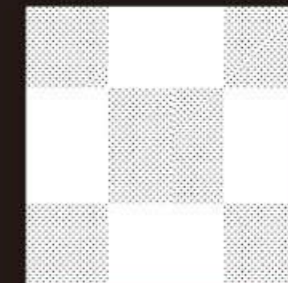
Code : MB6024-Φ 1.8



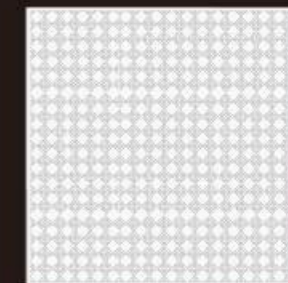
Code : MB6025-Φ 1.8



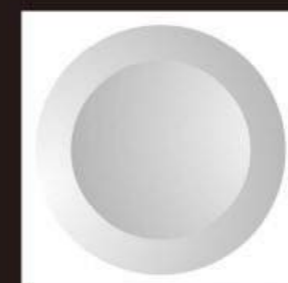
Code : MB6026-Φ 1.8



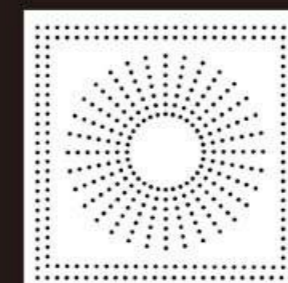
Code : MB6027-Φ 3



Code : MB6028-Φ 1.8



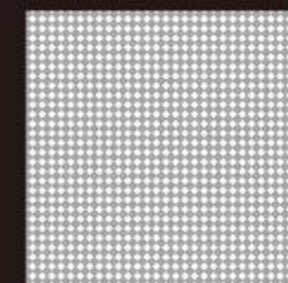
Code : MB6029



Code : MB6030-Φ 3



Code : MB6031-Φ 2.2



Code : MB6032-Φ 1.8



Blue Sky-1



Blue Sky-2



Blue Sky-3

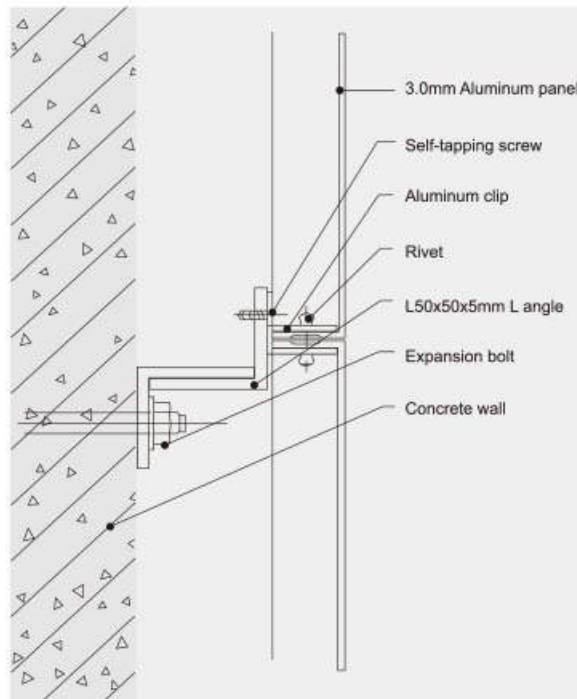


ALUMINUM WALL PANEL

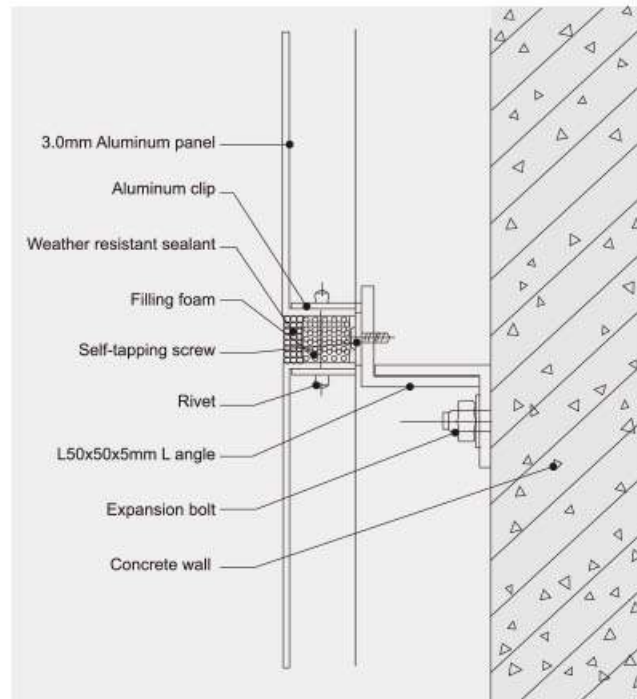
ALUMINUM WALL PANEL system is a range of internal and external cladding designed for purpose used to meet unique project requirements. Special dimension and designs can be ordered according to the enquiry of Designers, Architects and Consultants.



Section drawing for Aluminum curtain wall without gap



Section drawing for Aluminum curtain wall with gap





Indoor Wall Panel